

Zrinka Buljević

## Stakleni brodić iz Salone

### The small glass boat from Salona

Zrinka Buljević  
Arheološki muzej u Splitu  
Zrinsko - Frankopanska 25  
HR, 21000 Split  
zrinka.buljevic@armus.hr

UDK: 748 : 904 (497.5 Split) "00"

Izvorni znanstveni rad

Primljeno: 3. 9. 2012.

Prihvaćeno: 19. 10. 2012.

Zrinka Buljević  
Arheološki muzej u Splitu  
Zrinsko - Frankopanska 25  
HR, 21000 Split  
zrinka.buljevic@armus.hr

UDC: 748 : 904 (497.5 Split) "00"

Original scientific paper

Received: 3 September 2012

Accepted: 19 October 2012

Model staklenog broda iz Salone nađen je u ženskom, možda dječjem grobu 348 salonitanske Zapadne nekropole, u sloju datiranim novcem. S obzirom na nalaz novca, oliformnih balzamarija, cjevastih balzamarija jednako dugog tijela i vrata držimo da sloj, kao i grob, treba datirati najranije u Tiberijevo i Klaudijevo doba, a s obzirom na zastupljenost ostalih nalaza iz 1. st. da grob nije bitno mlađi od 1. st. posl. Kr. Prema navedenim analognim primjercima te okolnostima nalaza, za salonitanski brodić možemo zaključiti da je italjski proizvod 2. četvrtine ili sredine 1. st. poslije Krista, a vjerojatno su se u njemu držali kocke i žetoni.

*Ključne riječi: staklo, brod; Salona*

A model of a glass boat from Salona was found in a woman's or possibly child's grave 348 of Salona's West Necropolis, in a layer dated using the coins found there. Given the finds of coins, olla-form balsamaria, and tubular balsamaria with equal body and neck lengths, I maintain that the layer, like the grave, should be dated to the Tiberian-Claudian era at the earliest, and with regard to the presence of the remaining first-century finds, the grave cannot be younger than the first century AD. Given the analogous example and the find context, we may conclude that the Salona boat is an Italic product of the second quarter or mid-first century AD and possibly served as a container for dice and counters.

*Key words: glass, boat, Salona*

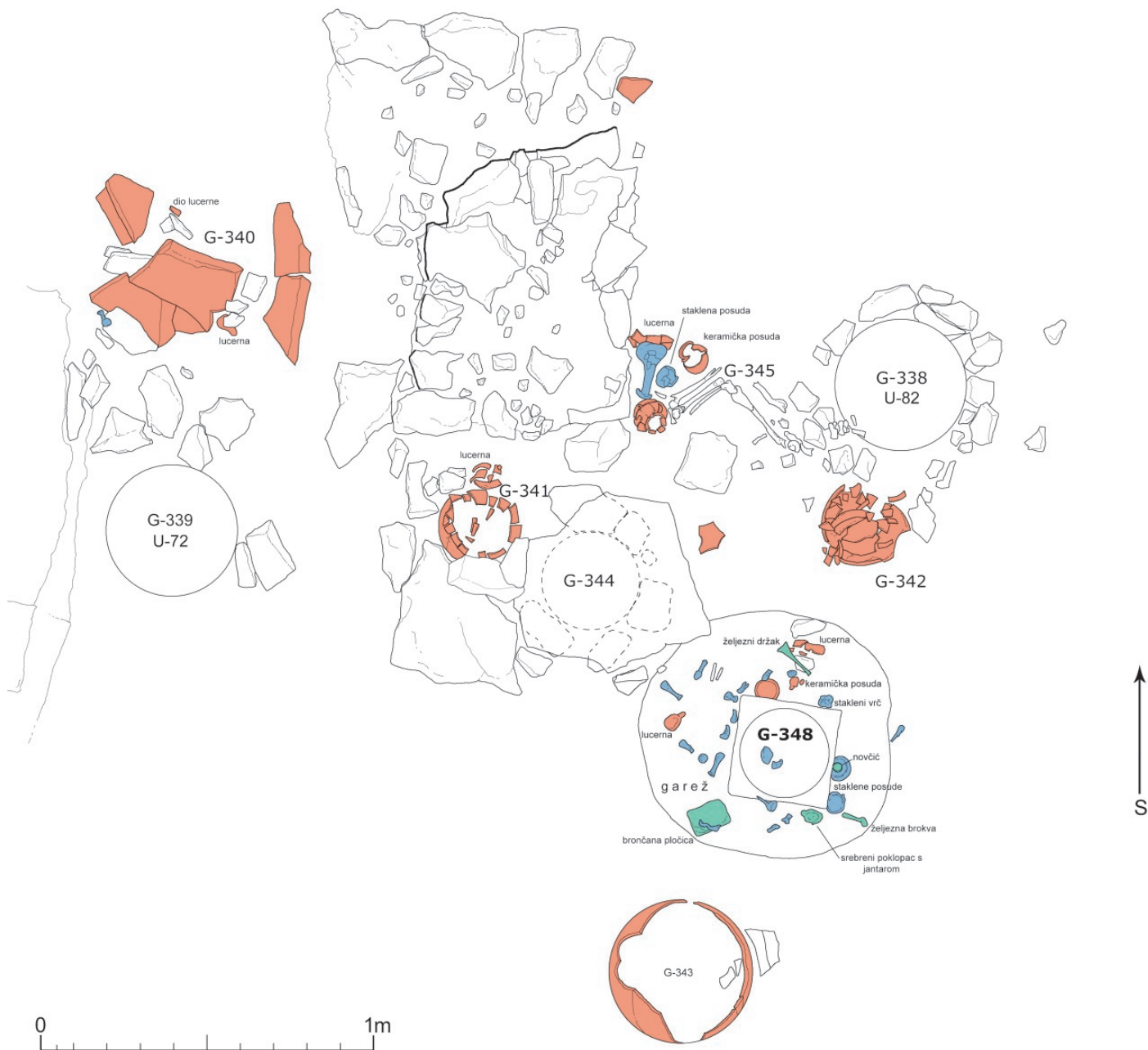


Tabla 1.

Plate 1.

**Stakleni brodić<sup>1</sup>**

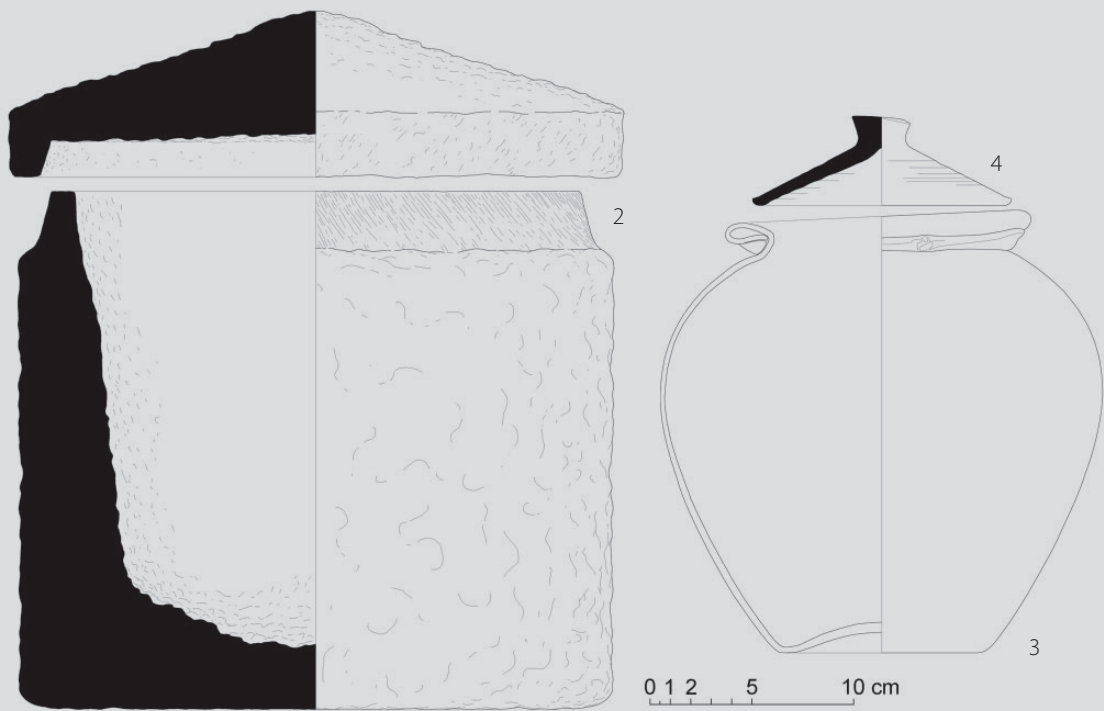
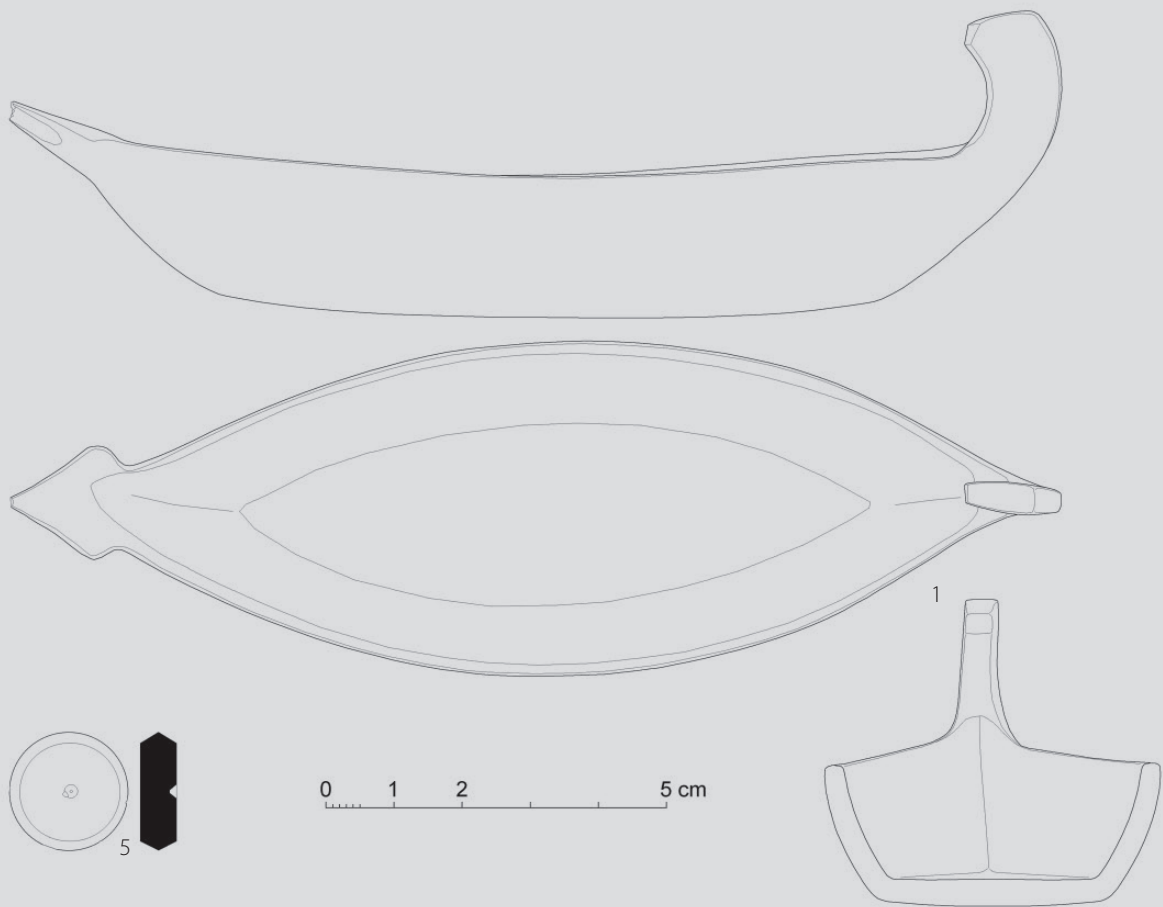
U paljevinskom grobu 348 salonitanske Zapadne nekropole (T. 1), u sektoru III, zapadno od bedema, odnosno u sondi *Houston*, u kamenoj urni 73 (kat. br. 2, T. 2. 2, sl. 2), odnosno u staklenoj urni (kat. br. 3, T. 2. 3, sl. 3), nađen je, među ostalim, stakleni brodić (kat. br. 1, T. 2. 1, sl. 1).<sup>2</sup> Nalaz se, zajedno s ostalim nalazima iz Zapadne nekropole, čuva u Arheološkome muzeju u Splitu.<sup>3</sup>

**Glass boat<sup>1</sup>**

A small glass boat (cat. no. 1, P. 2. 1, fig. 1) was found among other items in stone urn 73 (cat. no. 2, P. 2. 2, fig. 2) from incineration grave 348 in Salona's Western Necropolis (T. 1), in Sector III, west of the city walls in the Houston test trench.<sup>2</sup> This find is held in the Archaeological Museum in Split together with the remaining items from the Western Necropolis.<sup>3</sup>

- 1 Ovaj rad posvećujem Davidu Whitehousu, vrhunskom poznavatelju stakla, osobito antičkog i islamskog, među ostalim i dugogodišnjem ravnatelju *The Corning Museum of Glass*, a nadalje čovjeku. Preminuo je 17. veljače ove godine. Imala sam čast upoznati ga u Jeruzalemu 2012. g., gdje je, zahvaljujući u ime sudionika organizatorima seminara *Early Roman Decorative Glass: East and West Dialogue* u Izraelskom muzeju, dao važnost mojem izlaganju koliko i temi *Traces of Ennion and Aristean in the Roman Province of Dalmatia*. Potom smo se susreli u Piranu na 19. kongresu *Association Internationale pour l'Histoire du Verre*, na kojem sam sudjelovala s predavanjem *The small glass boat from Salona*, što je tema koju je upravo on ingeniozno obradio: D. Whitehouse, *Roman Glass Boats*, *Journal of Glass Studies* 37, Corning, New York, 1995, 133-135.
- 2 Predmete je konzervirala Ivana-Zrinka Bajić-Franković, nacrtao ih je Branko Penđer, fotografirao Tonči Seser. Tlocrt je, na temelju preklapanja terenskih crteža S. Žitnika (list 511 i 512, crtež 453 i 454) te nacrtanih nalaza, uredio Zoran Podrug. Originalni crteži su iz 25. i 26. 6. 1987., u mjerilu 1:10.
- 3 U grobnom formularu Jagoda Mardešić posebno nabroja predmete koji su nađeni unutar urne: staklena ola s keramičkim poklopcem, 1 koštani i jedan stakleni vrh igle ili perle, fragmenti željeza i bronce, mali stakleni model broda, unguentarij, 3 koštane igle, 2 koštane kocke za igru, koštani češalj, 56 žetona i nekoliko razbijenih, školjka sv. Jakova, a prilikom pranja kostiju nađeni su: mali zlatni prsten s urezanom šakom, 4 kamena? oblutka - žetoni, srebrena igla, željezna igla (frag.), više sitnih ulomaka bronce, 1 komad deformiranog stakla. Ola se nalazila u kamenoj cilindričnoj urni s kvadratičnim poklopcem (kojoj nismo ušli u trag) - U 73. Urna se nalazila 60-70 cm zapadnije od zida 16, oko nje sloj gareži, a u njemu: više komada nagorenog stakla, 3 lakrimarija, 1 nagorena koštana igla, kvadratično brončano ogledalo, brončana drška (crtež), željezni čavao, staklena posudica bombastog tijela i izvučenog oboda (raspukla) a u njoj je brončani novčić, staklena posudica oštećenog oboda sa 2 okomite drške, keramički lončić van izvučenog oboda sa 2 okomite drške, predmet od legure srebra i bronce (poklopac) (crtež) a u njemu ima jantara?, dvije staklene boce kvadratičnog tijela, cilindričnog vrata s okomitom drškom (crtež), unguentarij loptastog tijela i cilindričnog vrata, lucerna s volutama i nejasnim prikazom na disku (nije pronađena op. Z.B.), lucerna ispod kamene ploče, a kad je skinuta urna otkriveni su: treća lucerna (nije pronađena op. Z.B.), keramička posudica i stakleni lakrimarij. Na ceduljama je uz svaki nalaz, bez razlike, upisano: Salona '87; lokalitet: Zabilaznica; dnevnik: 5A; zona: III; sonda: Houston; kontekst: G - 348 (U - 73). Maja Bonačić-Mandinić se sjeća da su, prije pranja nalaza iz urne, u brodiću bili žetoni i kocke. Brodić, kocke, žetoni, koštani češalj i vrh koštane igle bile su izložene na izložbi *Salona - od zemlje do muzeja*, što ju je Arheološki muzej u Splitu priredio u galeriji Doma kulture - Zvonimir u Solinu, u rujnu 1992. g. Autorica izložbe je Jagoda Mardešić.

- 1 I dedicate this work to David Whitehouse, the long-time director of the Corning Museum of Glass, who was one of the world's foremost experts on glass, especially Antique and Islamic, but above all a splendid human being. He died on 17 February of this year. I had the great honour of making his acquaintance in Jerusalem in 2012, where, while expressing gratitude to the organizers of the seminar "Early Roman Decorative Glass: East and West Dialogue" in the Israel Museum, he accorded particular importance to my own address and the topic of "Traces of Ennion and Aristean in the Roman Province of Dalmatia" in general. We met subsequently in Piran at the 19th Congress of the Association Internationale pour l'Histoire du Verre, where I participated with a lecture on "The Small Glass Boat from Salona" which dealt with a theme he so ingeniously examined himself: D. Whitehouse, "Roman Glass Boats", *Journal of Glass Studies* 37, Corning, New York 1995, 133-135.
- 2 The items were conserved by Ivana-Zrinka Bajić-Franković, sketched by Branko Penđer and photographed by Tonči Seser. The layout, based on superimposition of the field sketches by S. Žitnik (sheets 511 and 512, sketches 453 and 454) and drawn finds, was arranged by Zoran Podrug. The original sketches were made on 25 and 26 June 1987, at a scale of 1:10.
- 3 In the grave inventory form, Jagoda Mardešić specifically listed the items found inside urns: a glass olla with ceramic lid, one bone and one glass pin head or bead, iron and bronze fragments, a small glass model boat, an unguentarium, 3 bone pins, 2 bone playing dice, a bone comb, 56 counters and several broken scallop shells, while during washing of the bones, the following were found: a small gold ring with image of fist engraved on it, 4 stone? counters/tokens, a silver pin, iron pin (frag.), several tiny bronze fragments, 1 piece of deformed glass. The olla was in a cylindrical stone urn with quadratic lid (which we could not find) - Urn 73 was located 60-70 cm west of wall 16, with a layer of soot surrounding it, and it contained: several pieces of charred glass, 3 lachrymatories, 1 burned bone pin, a square bronze mirror, a bronze handle (sketch), an iron nail, a small glass vessel with a globular body and inwardly drawn rim (cracked) containing a bronze coin, a small glass vessel with damaged rim and two vertical handles, a small ceramic pot with outwardly drawn rim and 2 vertical handles, an article made of silver-bronze alloy (lid) (sketch) containing amber (?), two glass bottles with quadratic bodies, cylindrical necks with vertical handles (sketch), an unguentarium with spherical body and cylindrical neck, an oil-lamp with volutes and illegible image on discus (not found - *author's note*), an oil-lamp under a stone plate, and when the urn was removed, the following were discovered: a third oil-lamp (not found - *author's note*), a ceramic vessel and glass lachrymatory. The note cards accompanying each find, without exception, have written on them: Salona '87; site: Beltway road; journal: 5A; zone: III; test pit: Houston; context: G-348 (U-73). Maja Bonačić-Mandinić recalled that, prior to washing the items from the urn, the tokens and dice were in the boat. The boat, dice, tokens, bone comb and bone pin head were displayed during the exhibition *Salona - From Underground to the Museum*, which was set up by the Archaeological Museum in Split in the gallery of the Zvonimir Culture Hall in Solin in September 1992. The exhibition was designed and arranged by Jagoda Mardešić.





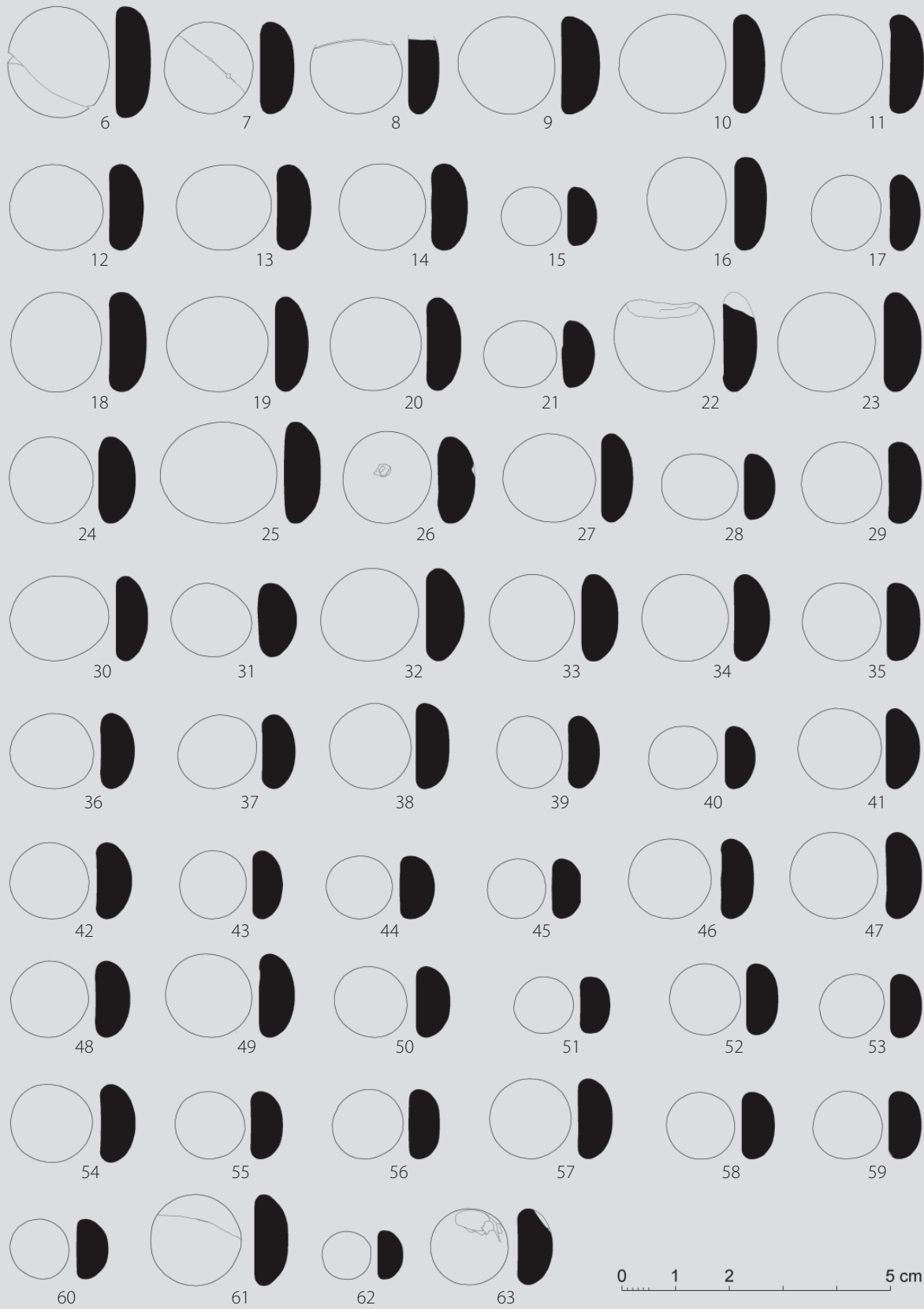


Tabla 3.

Plate 3.

Različite su hipoteze o njihovoj namjeni. M. C. Calvi drži ga mogućom aluzijom na zanimanje pokojnika, mornara, brodovlasnika ili ribara, i simbolom njegova zagrobnog puta.<sup>19</sup> Za brod iz ženske grobnice u Palombara Sabina što se čuva u Museo Nazionale Romano, navodi se i Paribenijeva pretpostavka o igrački prerano preminule curice, no, suprotno hipotezi M. C. Calvi o aluziji na zanimanje pokojnika, Bordenache Battaglia drži brod aluzijom na posljednje putovanje i otvara mogućnost da je riječ o ženskom ukopu i u S. Elena di Melma, što nije kontradiktorno kontekstu nalaza, premda ostavlja otvorenom i mogućnost o prilogu koji upućuje na zanimanje pokojnika i simbolizira njegovo posljednje putovanje.<sup>20</sup> Prema Painteru stakleni je brod, sudeći prema danas izgubljenom pompejanskom nalazu broda s nakitom, te činjenici da su ostali nađeni u ženskim grobovima, mogao služiti i kao ukrasni spremnik na toaletnim stolicima.<sup>21</sup> Počam od pretpostavke da je i stakleni brod *scaphium*, predmet oblikovan kao *scapha* ili mali brod, Whitehouse zapaža mogućnost višestruke namjene tako oblikovana predmeta, odnosno posude u rimskom svijetu. Latinski *scaphium* posuđenica je od grčkog *σκαφιον* - brodić, posuda za pijeње ili noćna posuda.<sup>22</sup> Vještačeći literaturu i izvore, Whitehouse zapaža da su brodoliki predmeti u rimskom svijetu mogli biti rabljeni za pijeње,<sup>23</sup> kao dijelovi vodenih<sup>24</sup> i sunčanih satova<sup>25</sup> te kao noćne posude.<sup>26</sup> Budući su svi stakleni brodići slični, drži da su imali istu namjenu, a s obzirom na opise u navedenoj literaturi, i njihov oblik isključuje mogućnost svake druge njihove namjene osim kao noćnih posuda.<sup>27</sup> Nadalje, hipotezu o staklenim brodićima kao o ženskim noćnim posudama temelji na otkriću dvaju primjeraka u ženskim grobovima, uz napomenu da su predmeti sličnog oblika i dimenzija, neki od njih stakleni, rabljeni kao ženske noćne posude u Europi 18. i 19. st., poznate pod nazivom *bourdaloue*.<sup>28</sup>

Za razliku od analognog brodića od neprozirnog ljubičastog stakla iz S. Elena di Melma što se čuva u Museo Civico Luigi Bailo u Trevisu i primjerka od poluprozirnog zelenog stakla iz Pompeja što se čuva u British Museum, na salonitanskom čamcu nije s vanjske strane žlijebom, odnosno žljebovima iza pramca ili prove

There are various hypotheses on their use. Calvi believed they may have suggested the occupation of the deceased as a sailor, shipowner or fisher and a symbol of his afterlife.<sup>19</sup> In the case of the boat from the woman's grave in Palombara Sabina held in the Museo Nazionale Romano, Paribenì's hypothesis on a toy belonging to a girl who died to early is mentioned, while contrary to Calvi's hypothesis on a suggestion of the deceased's occupation, Bordenache Battaglia maintained that the boat is an allusion to the final voyage and opened the possibility that the S. Elena di Melma example was also a woman's burial, which does not contradict the find context, even though he leaves open the hypothesis of the grave good that points to the occupation of the deceased and symbolizes his final voyage.<sup>20</sup> According to Painter, the glass boat - judging by the now lost Pompeii find of a boat with jewellery and the fact that the others were found in women's graves - may have served as a decorative container on cosmetics stools.<sup>21</sup> Setting forth from the assumption that a glass boat is a *scaphium*, an object shaped like a *scapha* or small boat, Whitehouse noted the possibility of many uses for items so shaped, i.e., as vessels, in the Roman world. The Latin *scaphium* was borrowed from the Greek *σκαφιον* - small boat, a drinking vessel or chamber pot.<sup>22</sup> Examining the relevant literature and sources, Whitehouse observed that boat-shaped items in the Roman world could be used for drinking,<sup>23</sup> as parts of water clocks<sup>24</sup> and sundials,<sup>25</sup> and as chamber pots.<sup>26</sup> Since all glass boats are similar, he maintained that they served the same purpose, and given their descriptions in the relevant literature and their shape, he excluded the possibility of any other use except as chamber pots.<sup>27</sup> He further based his hypothesis on glass boats as women's chamber pots on the discovery of two examples in women's graves, with the note that items of similar shape and dimensions, some of them made of glass, were used as women's chamber pots in Europe in the eighteenth and nineteenth centuries, known under the name *bourdaloue*.<sup>28</sup>

By contrast to the analogous boat made of opaque purplish glass from Santa Elena di Melma held in the Museo Civico Luigi Bailo in Treviso and the example made of semi-transparent green glass from Pompeii held in the British Museum, the Salona boat does not have a separately indicated edge or gunwale made with a groove on

19 Calvi 1974-1975, str. 483-484; Casagrande, Ceselin 2003, str. 36; Larese 2004.

20 Bordenache Battaglia 1983, str. 29.

21 Harden et al. 1987; Whitehouse 1995, str. 133, 135.

22 W. Hilgers, *Lateinische Gefässnamen. Bezeichnungen, Funktion und Form römischer Gefässe nach den antiken Schriftquellen*, Düsseldorf 1969, 271-272; cfr. Aristofan *Thesmophoriazusaē* 633 i Eupolis 46; Whitehouse 1995, str. 133-134, bilj. 13.

23 Plaut, *Stichus* 693; Whitehouse 1995, str. 134, bilj. 14.

24 Vitruvius 9.8.5; Whitehouse 1995, str. 134, bilj. 15.

25 Martianus Capella 6.597; Whitehouse 1995, str. 134, bilj. 16.

26 Whitehouse 1995, str. 134, bilj. 17; W. Hilgers, *Lateinische Gefässnamen. Bezeichnungen, Funktion und Form römischer Gefässe nach den antiken Schriftquellen*, Düsseldorf 1969, 271-272, bilj. 13; Martial 11.111.5; Ulpian, *Digest* 34.2.27.5; Juvenal 6.264; Caelius Aurelianus, *Chron.* 4.3.50, te *Gloss.* 5.654.25.

27 Whitehouse 1995, str. 133-134.

28 Whitehouse 1995, str. 135.

19 Calvi 1974-1975, pp. 483-484; Casagrande, Ceselin 2003, p. 36; Larese 2004.

20 Bordenache Battaglia 1983, p. 29.

21 Harden et al. 1987; Whitehouse 1995, pp. 133, 135.

22 W. Hilgers, *Lateinische Gefässnamen. Bezeichnungen, Funktion und Form römischer Gefässe nach den antiken Schriftquellen*, Düsseldorf 1969, 271-272; cfr. Aristophanes *Thesmophoriazusaē* 633 and Eupolis 46; Whitehouse 1995, pp. 133-134, note 13.

23 Plaut, *Stichus* 693; Whitehouse 1995, p. 134, note 14.

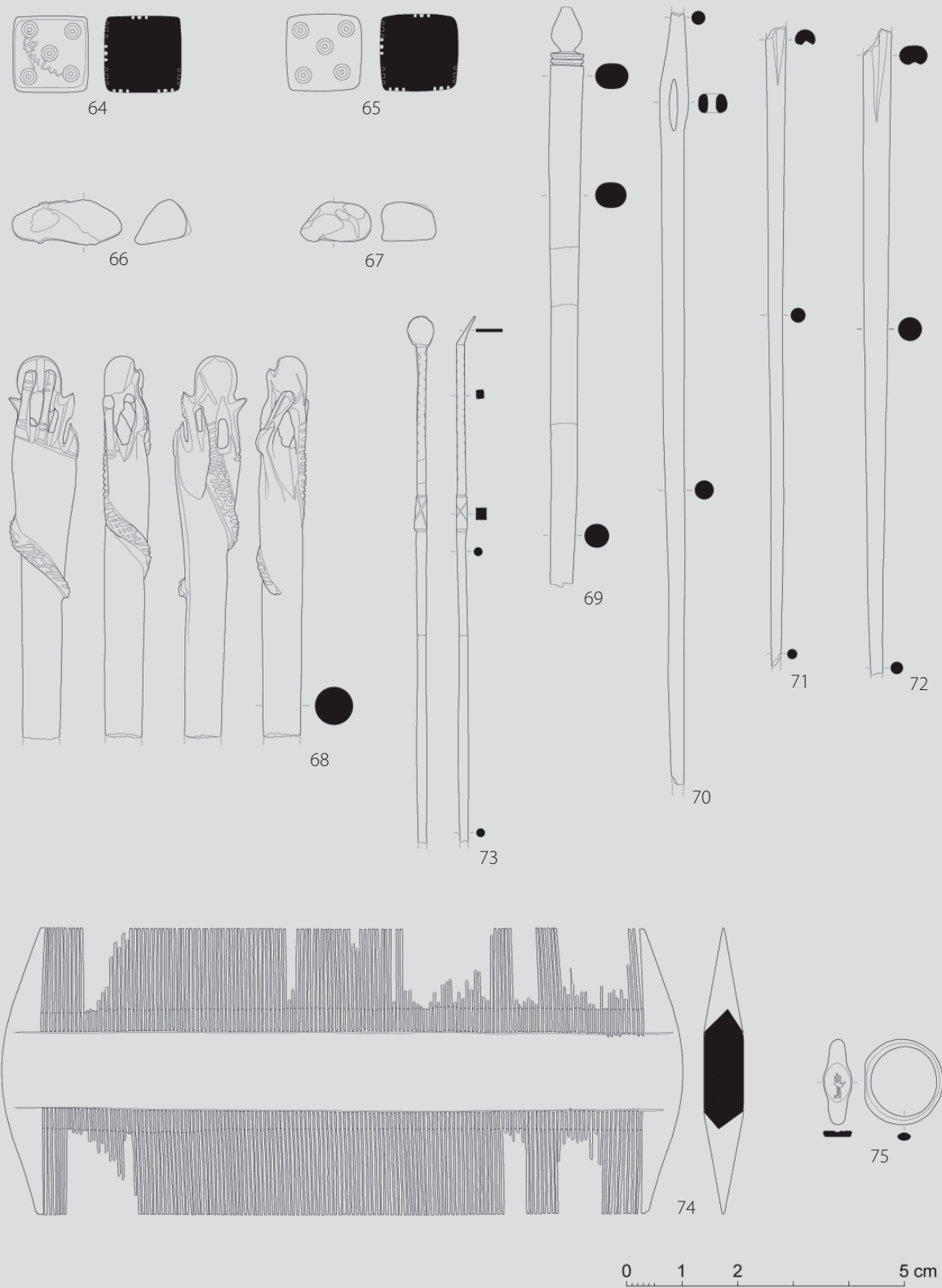
24 Vitruvius 9.8.5; Whitehouse 1995, p. 134, note 15.

25 Martianus Capella 6.597; Whitehouse 1995, p. 134, note 16.

26 Whitehouse 1995, p. 134, note 17; W. Hilgers, *Lateinische Gefässnamen. Bezeichnungen, Funktion und Form römischer Gefässe nach den antiken Schriftquellen*, Düsseldorf 1969, 271-272, note 13; Martial 11.111.5; Ulpian, *Digest* 34.2.27.5; Juvenal 6.264; Caelius Aurelianus, *Chron.* 4.3.50, and *Gloss.* 5.654.25.

27 Whitehouse 1995, pp. 133-134.

28 Whitehouse 1995, p. 135.





posebno istaknuta razma, rubnjak ili filaret, kao ni kobilica, koja je na navedenim primjercima istaknuta s dva tanka žljeba od krme do mjesta gdje se diže u provu, niti su mu aplicirane nožice. Primjerak iz Trevisa istovjetan je pompejanskom u British Museum, pa se, unatoč razlikama u žljebovima i urezima, drži mogućim da su iz istog kalupa.<sup>29</sup> Razlika u dimenzijama između ta dva broda proizlazi iz nedostatka vrha prove zbog oštećenja modela iz S. Elena di Melma (sačuvana dužina 20 cm), za razliku od cijelog pompejanskog, dužine 22,4 cm. Splitski je, pak, dug 15,43 cm, pa držimo da nije iz istog kalupa. Istaknimo ovdje tipološku srodnost brodova različitih dimenzija iz Palombare Sabine i St. Aldegunda.<sup>30</sup>

Stakleni se brodovi uglavnom datiraju u 2. četvrtinu ili sredinu 1. st. posl. Kr.,<sup>31</sup> premda u najnovijoj literaturi uz brod iz S. Elena di Melma stoji 1. st. posl. Kr.<sup>32</sup> Vjerojatno su proizvod iste radionice, neki su možda i iz istog kalupa.<sup>33</sup> S obzirom na navedene analogne primjerke, te okolnosti nalaza, za salonitanski brodić možemo zaključiti da je italjski proizvod (sredine) 1. st. posl. Kr.

### Ostali nalazi

Velike staklenke (kat. br. 3, T. 2. 3, sl. 3)<sup>34</sup> ponajprije su se rabile u kućanstvu kao spremnici, a na zapadu Carstva obično ih se nalazi u njihovoj sekundarnoj uporabi, kao urne. Traju s kultom incineracije, a tijekom 3. st. postupno nestaju na grobljima, što svjedoči o gubitku veze s njihovom funeralnom namjenom, no još se rabe za pohranu u kućanstvima. Globularne su *ollae* najrasprostranjenije u zapadnim dijelovima Carstva. Počinju se proizvoditi u Tiberijevo, odnosno Klaudijevo doba (*Magdalensberg* i *Augusta Raurica*). Proizvode se u većem broju radionica bez očitih formalnih modifikacija.<sup>35</sup> Ako nije proizvod neke od dalmatinskih radionica,<sup>36</sup> vjerojatno je uvezena iz (sjeverne) Italije.

the outside or grooves behind the bow or prow, nor a keel, which on the aforementioned examples is emphasized by two thin grooves from the stern to the point where the prow ascends, nor the feet applied. The example from Treviso is identical to the Pompeii piece in the British Museum, so despite the differences in the grooves and incisions, it is believed that they may have come from the same mould.<sup>29</sup> The difference in dimensions between these two boats is due to the absence of the tip of the prow, which is damaged, on the model from S. Elena di Melma (preserved in a length of 20 cm), as opposed to the entire Pompeii length of 22.4 cm. The Split example is 15.43 cm long, so I believe that it was not made using the same mould. I should note here the typological similarity of boats with different dimensions from Palombara Sabina and St. Aldegund.<sup>30</sup>

Glass boats are generally dated to the second quarter or middle of the first century AD,<sup>31</sup> although in the most recent literature, the boat from S. Elena di Melma is accompanied by a denotation of the first century AD.<sup>32</sup> They were probably the product of the same workshop, and some may have come from the same mould.<sup>33</sup> Given the aforementioned analogous examples and the find circumstances, it may be concluded that the Salona boat is an Italic product of the (mid) first century AD.

### Other finds

Large glass jars (cat. no. 3, P. 2. 3, fig. 3)<sup>34</sup> were primarily used in households for storage, and in the western section of the Empire they are normally found in their secondary use, as urns. They endured with the cult of cremation, and during the third century they gradually disappeared from graves, which testifies to the loss of their connection to funereal purposes, even though they were still used for storage in households. Globular *ollae* were the most widespread in the western parts of the Empire. Their production began in the Tiberian and Claudian periods (*Magdalensberg* and *Augusta Raurica*). They were manufactured in many workshops without any obvious formal modifications.<sup>35</sup> If an example was not a product of one of the Dalmatian workshops,<sup>36</sup> it was probably imported from (northern) Italy.

29 Calvi 1974-1975, str. 479-480.

30 Bordenache Battaglia 1983, str. 28.

31 Calvi 1974-1975, str. 480; Bordenache Battaglia 1983, str. 27, 28-29; Harden et al. 1987; Whitehouse 1995, str. 133.

32 Casagrande, Ceselin 2003; Larese 2004; Barovier Mentasti, Tirelli 2010, str. 52-53.

33 Calvi 1974-1975, str. 479-480; Bordenache Battaglia 1983, str. 28.

34 Lazar 2003, 7.2.3. i 7.2.4., str. 166-168; Bonnet Borel 1997, str. 42, AVV 104, T. 19; Roffia 1993, str. 170, 171, kat. br. 376-379; Scatozza Höricht 1986, str. 68, 70, oblik 56, T. XXII, XXXVIII; Welker 1985, str. 44, 45, T. 13. 172-174; Czurda-Ruth 1979, str. 157; Goethert-Polaschek 1977, str. 240, forma 147a; Welker 1974, str. 121-123, T. 17. 280-282; Calvi 1968, str. 88-92, tip Aq, T. F. 3; T. 15. 2, 3; Isings 1957, str. 86/87, oblik 67a.

35 Lazar 2003, str. 166-168, 7.2.3. i 7.2.4.; Czurda-Ruth 1979, str. 157.

36 Brojni su dalmatinski primjerci: Buljević 2010, G1. 1, T. 1. 1, sl. 1; G 6. 1, T. 4. 1, sl. 16; G 7.1T. 5. 1, sl. 21; G. 8. 1, T. 6. 1, sl. 22; G 9. 1, T. 7. 1, sl. 29; G. 15. 34, T. 13. 34, sl. 49; Lazar 2008, str. 76-77, T. 13. 1, 2; Buljević 2003b, T. II. 23, 24; Fadić 1998, str. 91, 92, kat. br. 255, 256, 260; Ravagnan 1994, str. 205-209, kat. br. 404-412; Damevski 1976, str. 64, T. IV. 3.

29 Calvi 1974-1975, pp. 479-480.

30 Bordenache Battaglia 1983, p. 28.

31 Calvi 1974-1975, p. 480; Bordenache Battaglia 1983, pp. 27, 28-29; Harden et al. 1987; Whitehouse 1995, p. 133.

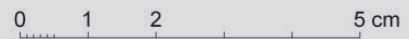
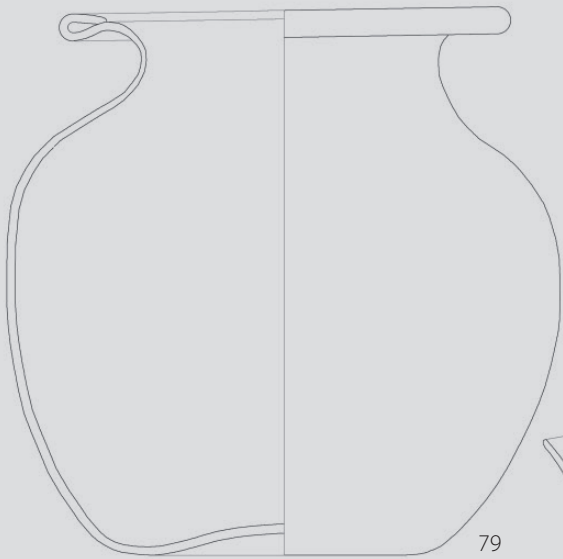
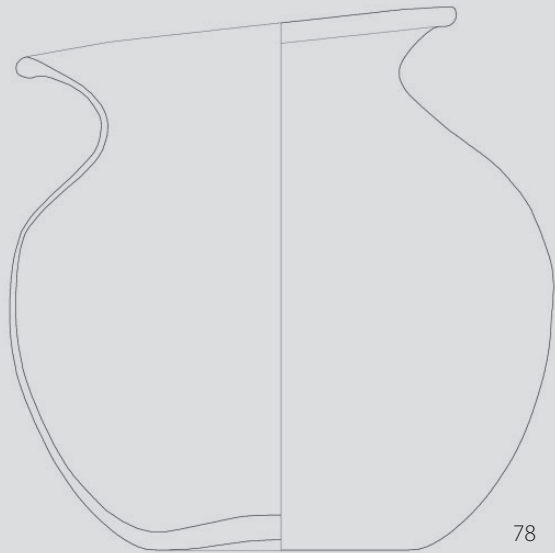
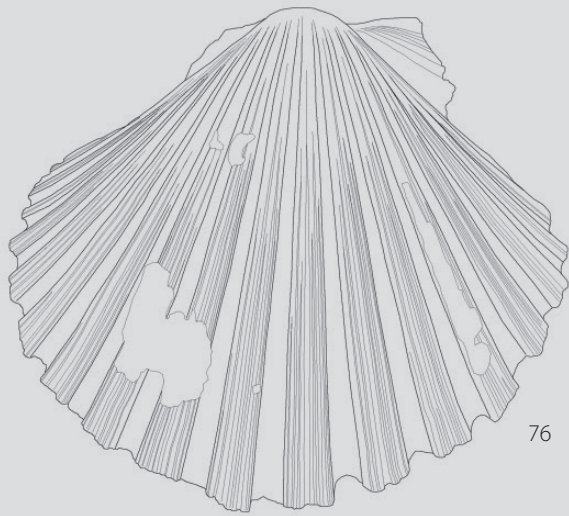
32 Casagrande, Ceselin 2003; Larese 2004; Barovier Mentasti, Tirelli 2010, pp. 52-53.

33 Calvi 1974-1975, pp. 479-480; Bordenache Battaglia 1983, p. 28.

34 Lazar 2003, 7.2.3. and 7.2.4., pp. 166-168; Bonnet Borel 1997, pp. 42, AV V 104, P. 19; Roffia 1993, pp. 170, 171, cat. no. 376-379; Scatozza Höricht 1986, p. 68, 70, form 56, P. XXII, XXXVIII; Welker 1985, pp. 44, 45, P. 13. 172-174; Czurda-Ruth 1979, p. 157; Goethert-Polaschek 1977, p. 240, forma 147a; Welker 1974, pp. 121-123, P. 17. 280-282; Calvi 1968, pp. 88-92, type Aq, P. F. 3; P. 15. 2, 3; Isings 1957, pp. 86/87, form 67a.

35 Lazar 2003, pp. 166-168, 7.2.3. and 7.2.4.; Czurda-Ruth 1979, p. 157.

36 There are numerous Dalmatian examples: Buljević 2010, G1. 1, P. 1. 1, Fig. 1; G 6. 1, P. 4. 1, Fig. 16; G 7.1T. 5. 1, Fig. 21; G. 8. 1, P. 6. 1, Fig. 22; G 9. 1, P. 7. 1, Fig. 29; G. 15. 34, P. 13. 34, Fig. 49; Lazar 2008, pp. 76-77, P. 13. 1, 2; Buljević 2003b, P. II. 23, 24; Fadić 1998, pp. 91, 92, cat. no. 255, 256, 260; Ravagnan 1994, pp. 205-209, cat. no. 404-412; Damevski 1976, p. 64, P. IV. 3.



Keramičkom poklopcu urne (kat. br. 4, T. 2. 4, sl. 4) analogan je poklopac iz ptujškoga groba 645 datiranog u 1. st. stol. Kr., od Tiberijeva doba do 1. trećine 2. st.,<sup>37</sup> kao i poklopci s istočnojadranskih lokaliteta.<sup>38</sup>

U brodu su, navodno, bili žetoni i kocke.<sup>39</sup> Od pedeset devet žetona jedan je koštani (kat. br. 5, T. 2. 5, sl. 5),<sup>40</sup> ostali su stakleni oblutci (kat. br. 6-63, T. 3. 6-63, sl. 6-63). Žetoni, oblutci (*latrunculi, calculi*) izrađivani su od različitih materijala, tako i od stakla, vjerojatno oblikovanog u kalup, za igru, kao žetoni za pomicanje na igraćim podlogama (*tabulae lusoriae*).<sup>41</sup> Žetoni raznih boja upućuju na veći broj igrača. Za razliku od igara s astragalima kojima su se zabavljale žene i djeca, oblutci su, stakleni već od 2. polovice 4. st. pr. Kr. ili kasnog klasičnog doba - barem u grčkoj Makedoniji, bili pijuni u muškim, vojničkim igrama.<sup>42</sup> Premda su nađene i podloge i žetoni za igru, a igre se spominju u pisanim izvorima, pravila igranja nisu precizno zapisana, pa ni posve odgonetnuta. Najpoznatije rimske igre su mlin ili trilja, *tabula* ili *ludus duodecim scripta*, vrsta *Backgammon* igre, te *ludus lantrucolorum*, vrsta šaha, dame.<sup>43</sup> Žetoni su, zajedno s kockama, nađeni na zadarskim nekropolama od 1. st. do početka 2. st.<sup>44</sup>

Igraće kocke su (kat. br. 64 i 65, T. 4. 64 i 65, sl. 64 i 65), kao i današnje, bile šesterostrane, s rasporedom točkica čiji je zbroj na suprotnim stranicama sedam, a koristile su se za kockanje, te u društvenim igrama sa žetonima za pomicanje na podlogama.<sup>45</sup>

Sačuvani ulomci perli (kat. br. 66 i 67, T. 4. 66 i 67, sl. 66 i 67) pripadaju dugotrajnom i široko rasprostranjenom tipu perli.<sup>46</sup>

U urni su nađene tri igle (*acus*), dvije koštane ukosnice (kat. br. 68 i 69, T. 4. 68 i 69, sl. 68 i 69) i jedna željezna šivaća igla (kat. br. 70, T. 4. 70, sl. 70). Igla s glavom u obliku ruke s kuglastim predmetom, jabukom ili šiškom (kat. br. 68, T. 4. 68, sl. 68), vezuje se uz ikonografiju istočnjačkog, Sabazijeva i Kibelina kulta i apotropejski je predmet, kao simbol vječnog života čest grobni prilog.<sup>47</sup> Analogna ovoj je ptujška igla iz G

The ceramic urn lid (cat. no. 4, P. 2. 4, fig. 4) is analogous to the lid from Ptuj grave 645 dated to the first century AD, from the Tiberian era to the first third of the second century AD,<sup>37</sup> like lids from Eastern Adriatic sites.<sup>38</sup>

The boat allegedly contained counters and dice.<sup>39</sup> Of the fifty-nine tokens, one is made of bone (cat. no. 5, P. 2. 5, sl. 5)<sup>40</sup>, while the rest are glass counters (cat. no. 6-63, P. 3. 6-63, sl. 6-63). Tokens and counters (*latrunculi, calculi*) were made of various materials, including glass, probably shaped in a mould, for games, as pieces for moving on playing boards (*tabulae lusoriae*).<sup>41</sup> Differently coloured counters indicate several players. As opposed to games with astragals which entertained women and children, counters - made of glass already as of the latter half of the fourth century BC or the late Classical period - were in Greek Macedonia at least used as pawns in men's military strategy games.<sup>42</sup> Although game boards and counters were found, while games are mentioned in written sources, the rules of play were not precisely described, so they have not been entirely deciphered. The best known Roman games were mills or merrills, *tabula* or *ludus duodecim scripta*, a type of backgammon, and *ludus lantrucolorum*, a type of chess or checkers.<sup>43</sup> Counters, together with dice, were found at the Zadar necropolises, dated to the first and early second centuries AD.<sup>44</sup>

Playing dice (cat. no. 64 and 65, P. 4. 64 and 65, fig. 64 and 65), like those of today, had six faces with dots arranged so that those on opposite sides added to seven, and they were used for gambling and in games involving counters that were moved over boards.<sup>45</sup>

The preserved bead fragments (cat. no. 66 and 67, P. 4. 66 and 67, fig. 66 and 67) belong to an enduring and very widespread bead type.<sup>46</sup>

Three pins (*acus*), two bone hairpins (cat. no. 68 and 69, P. 4. 68 and 69, fig. 68 and 69) and one iron sewing needle (cat. no. 70, P. 4. 70, fig. 70) were found in the urn. The pin with a head shaped like a spherical object, apple or pinecone (cat. no. 68, P. 4. 68, fig. 68), is associated with the iconography of the Oriental Sabasian or Cybeline cult and as an apotropaic item, as a symbol of eternal life, was common grave good.<sup>47</sup> An analogy to this example is the Ptuj

37 Istenič 2000, T. 143, G 645, 3; Istenič 1999, str. 145, 8.3.14, sl. 133, PO 2/L 2.

38 Topić 2003, T. 43, 182; Istenič, Schneider 2000, str. 341, sl. 5, 1, 2.

39 Vidi bilj. 2.

40 Srodni koštani predmeti nađeni su na ptujškoj nekropoli: Istenič 2000, str. 35, G 72, T. 15.

41 Baldoni, Berti 1998, T. VI. 4, str. 73, bilj. 3, kat. br. 27; Sternini 1999, kat. br. 148-153, sl. 11; Marengo 2002, str. 36, sl. 1-5; Buljević 2003a, kat. br. 144-149, str. 336-338, T. 15, 2-7; Larese 2004, str. 44-45; Mandruzzato 2008, kat. br. 108-117, str. 34, 35; Fadić 2008, str. 167, kat. br. 49-57; Barovier Mentasti, Tirelli 2010, str. 158.

42 Ignatiadou 2002, str. 21-23.

43 Varone 1994; Marengo 2002, str. 36, sl. 1-5; Vomer Gojković 2008, str. 74-76, sl. 4-8, kat. br. 5-12.

44 Gluščević 1990, str. 112, bilj. 8, G. 6, T. V. 1-31.

45 Varone 1994, kat. br. 68, 69; Vomer Gojković 2008, str. 74-75, sl. 1-4, kat. br. 1-4.

46 Mandruzzato 2008, str. 158, tip Aquileia VII; Spaer 2001, str. 127.

47 Dular 1979, str. 282, T. 2. 10, T. 3. 6; Ruprechtsberger 1978, kat. br. 344-346; Bíró 1994, str. 34, P. XXXIV. 372-374; Petković 1995, str. 33, T. XVI. 1-3, Tip XIV; Ciarallo, De Carolis 1999, kat. br. 136; Istenič 1999, sl. 68; Istenič 2000, str. 81-82, T. 146, G 649, 1; Ivčević 2002a, str. 335, kat. br. 41.

37 Istenič 2000, P. 143, G 645, 3; Istenič 1999, pp. 145, 8.3.14, Fig. 133, PO 2/L 2.

38 Topić 2003, P. 43, 182; Istenič, Schneider 2000, pp. 341, Fig. 5, 1, 2.

39 See note 2.

40 Similar bone items were found at the Ptuj necropolis: Istenič 2000, p. 35, G 72, P. 15.

41 Baldoni, Berti 1998, P. VI. 4, p. 73, note 3, cat. no. 27; Sternini 1999, cat. no. 148-153, Fig. 11; Marengo 2002, p. 36, Fig. 1-5; Buljević 2003a, cat. no. 144-149, pp. 336-338, P. 15, 2-7; Larese 2004, pp. 44-45; Mandruzzato 2008, cat. no. 108-117, pp. 34, 35; Fadić 2008, p. 167, cat. no. 49-57; Barovier Mentasti, Tirelli 2010, p. 158.

42 Ignatiadou 2002, pp. 21-23.

43 Varone 1994; Marengo 2002, p. 36, Fig. 1-5; Vomer Gojković 2008, pp. 74-76, Fig. 4-8, cat. no. 5-12.

44 Gluščević 1990, p. 112, note 8, G. 6, P. V. 1-31.

45 Varone 1994, cat. no. 68, 69; Vomer Gojković 2008, pp. 74-75, Fig. 1-4, cat. no. 1-4.

46 Mandruzzato 2008, p. 158, Aquileia type VII; Spaer 2001, p. 127.

47 Dular 1979, p. 282, P. 2. 10, T. 3. 6; Ruprechtsberger 1978, cat. no. 344-346; Bíró 1994, p. 34, P. XXXIV. 372-374; Petković 1995, p. 33, P. XVI. 1-3, Type XIV; Ciarallo, De Carolis 1999, cat. no. 136; Istenič 1999, Fig. 68; Istenič 2000, pp. 81-82, P. 146, G 649, 1; Ivčević 2002a, p. 335, cat. no. 41.



Tabla 6.

Plate 6.

649, datiranog u flavijevsko doba,<sup>48</sup> a slične su joj salonitanska<sup>49</sup> i splitska iz G 5.<sup>50</sup> Ukosnici bikonične glave (kat. br. 69, T. 4. 69, sl. 69) analogna je igla s lokaliteta Óbuda, Fő utca (Budimpešta) tipološki datirana od sredine 1. st. do sredine 2. st.,<sup>51</sup> kao i ona iz Narone<sup>52</sup> te Nina.<sup>53</sup> Brojni su i široko datirani analogni primjerci rimskodobnih šivaćih igala (kat. br. 70, T. 4. 70, sl. 70) duž Rimskog Carstva, pa su za njihovu dataciju presudne okolnosti nalaza.<sup>54</sup>

Osim toga nađene su dvije koštane špatule (kat. br. 71 i 72, T. 4. 71 i 72, sl. 71 i 72). Kozmetičke, odnosno medicinske špatule (*spatulae: cyathiscomela, spathomela*) kojima su se vadile, miješale i nanosile kozmetičke, odnosno medicinske supstancije, široko su rasprostranjen dugotrajan oblik, nepromijenjen za trajanja Carstva. Uglavnom se datiraju u razdoblje od 2. pol. 1. st. do pred kraj 2. st. Valja imati na umu da tipološki srodne špatule mogu biti veoma široko datirane, stoga je, u odnosu na tipološke analogije, okolnost nalaza u paljevinskom grobu značajniji podatak. Brojni su analogni primjerci iz Dalmacije,<sup>55</sup> kao i iz drugih rimskih provincija.<sup>56</sup> Napomenimo da je ovdje, s obzirom na ostale grobne nalaze, riječ o kozmetičkim, a ne o medicinskim špatulama.

Držimo da je i srebrena žličasta sonda kozmetički pribor (kat. br. 73, T. 4. 73, sl. 73). Žličaste sonde (*specillum oricularium, s. auriscalpium*) u rimsko su doba rabljene u medicini kao skarifikatori (oštrim krajem se zarezivala koža, a žličicom su se lijekovi unosili u ranu), u kozmetici, za nanošenje kozmetičkih supstancija, te u nekim obrtima, primjerice slikarskom, za pripremu boja, ili pisarskom, za pripremu tinte.<sup>57</sup>

Koštanom su češlju (kat. br. 74, T. 4. 74, sl. 74) analogni dvostrani češljevi (*dense densus*)<sup>58</sup> nađeni u Saloni, a može ih se datirati u razdoblje od 2. pol. 1. st. do 2. st.<sup>59</sup>

pine from G 649, dated to the Flavian era,<sup>48</sup> and the Salona<sup>49</sup> and Split examples from G 5 are similar.<sup>50</sup> The hairpins with biconical head (cat. no. 69, P. 4. 69, fig. 69) are analogous to the pin from the Óbuda site, Fő utca (Budapest), typologically dated to the mid-first to mid-second centuries AD,<sup>51</sup> as well as those from Narona,<sup>52</sup> and Nin.<sup>53</sup> Analogous examples of Roman-era sewing needles (cat. no. 70, P. 4. 70, fig 70) are numerous and very widespread throughout the Roman Empire, so that the find context is crucial to dating them.<sup>54</sup>

Additionally, two bone spatulas (cat. no. 71 and 72, P. 4. 71 and 72, fig. 71 and 72) were found. Cosmetic or medical spatulas (*spatulae: cyathiscomela, spathomela*) used to extract, mix and apply cosmetics or medicinal substances were very widespread with a stable form that remained unchanged throughout the Empire's duration. They are generally dated from the latter half of the first to almost the end of the second century AD. It would be worthwhile to keep in mind that typologically similar spatulas may be very broadly dated, so with reference to typological analogies, the find context in an incineration grave is a much more significant aspect. There are numerous analogous examples from Dalmatia,<sup>55</sup> as well as other Roman provinces.<sup>56</sup> It should be noted here that given the remaining grave goods, these are cosmetic and not medical spatulas.

I believe that the silver spoon-like curette is a cosmetics accessory (cat. no. 73, P. 4. 73, fig. 73). Spoon-shaped probes (*specillum oricularium, s. auriscalpium*) were used in medicine in the Roman era as scarificators; the sharp end pierced the skin, while the spoon was used to apply medications to wounds. In cosmetics they were used to apply cosmetic substances, while certain tradesman, such as painters and scribes, used them to prepare paints and ink respectively.<sup>57</sup>

The bone comb (cat. no. 74, P. 4. 74, fig. 74) is analogous to the double-sided combs (*dense densus*)<sup>58</sup> found in Salona, and may be dated to the latter half of the first and second centuries AD.<sup>59</sup>

48 Istenič 1999, sl. 68; Istenič 2000, str. 81-82, T. 75, G 365. 2; T. 146, G 649. 1.

49 Ivčević 2002a, str. 335, kat. br. 41.

50 Buljević 2010, str. 98, G 5, T. 3. 3, sl. 14.

51 Bíró 1994, T. IX. 55, str. 23-24, 125.

52 Ivčević 2003a, str. 120, T. I. 2, kat. br. 2.

53 Nedved 1981, kat. br. 1.

54 Buljević 2010, G 26.1, T. 19; Ivčević 2002c, str. 471-472; Ruprechtsberger 1978, str. 37-39, 7bβ, kat. br. 450-457, 486, 493-494.

55 Buljević 2010, G 5, T. 3. 4, sl. 15, str. 98-99; G 8, T. 6. 4, sl. 25, str. 108, 111; Ivčević 2003a, str. 119, 120, T. I. 1, kat. br. 1; Ivčević 2002a, str. 333, sl. 15-21; Ivčević 1999, str. 113, 137-140, sl. 25, 26, kat. br. 148-170.

56 Istenič 1999, str. 80; Istenič 2000, T. 91, G 455. 1; T. 141. G 637. 1; T. 167. G 747. 4; Bíró 1994, T. LII. 452, 453, 455, str. 42, 127; Šaranović-Svetek 1981, str. 157, T. V. 1-3; Dular 1979, str. 283, 284, T. 1. 21-22, T. 3.3; Vikić-Belanić 1948, str. 43, 44, sl. 6b.

57 Ivčević 2003b, str. 136, kat. br. 22; Ivčević 1999, str. 111-112, kat. br. 33-47, sl. 12-22; Pompeji Wiederentdeckt 1994, str. 184, kat. br. 34b.

58 Bíró 1994, str. 36-37, sl. 11.

59 Buljević 2010, str. 143 i 165, G 18. 164, 165, T. 16, sl. 56; Ivčević 2002a, str. 333-334, kat. br. 23.

48 Istenič 1999, Fig. 68; Istenič 2000, pp. 81-82, P. 75, G 365. 2; P. 146, G 649. 1.

49 Ivčević 2002a, p. 335, cat. no. 41.

50 Buljević 2010, p. 98, G 5, P. 3. 3, Fig. 14.

51 Bíró 1994, P. IX. 55, pp. 23-24, 125.

52 Ivčević 2003a, p. 120, P. I. 2, cat. no. 2.

53 Nedved 1981, cat. no. 1.

54 Buljević 2010, G 26.1, P. 19; Ivčević 2002c, pp. 471-472; Ruprechtsberger 1978, pp. 37-39, 7bβ, cat. no. 450-457, 486, 493-494.

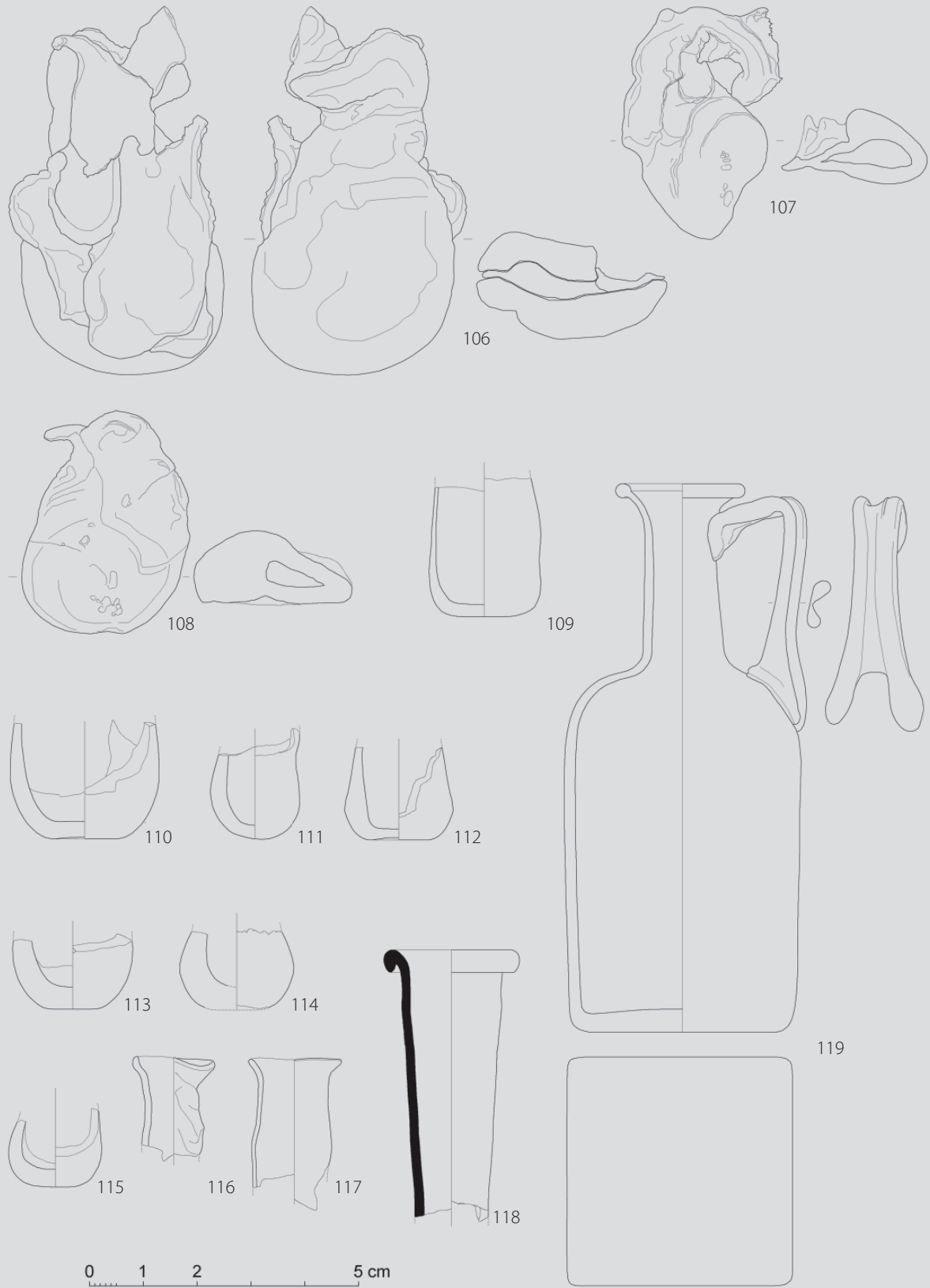
55 Buljević 2010, G 5, P. 3. 4, Fig. 15, pp. 98-99; G 8, P. 6. 4, Fig. 25, p. 108, 111; Ivčević 2003a, pp. 119, 120, P. I. 1, cat. no. 1; Ivčević 2002a, p. 333, Fig. 15-21; Ivčević 1999, pp. 113, 137-140, Fig. 25, 26, cat. no. 148-170.

56 Istenič 1999, p. 80; Istenič 2000, P. 91, G 455. 1; P. 141. G 637. 1; P. 167. G 747. 4; Bíró 1994, P. LII. 452, 453, 455, p. 42, 127; Šaranović-Svetek 1981, p. 157, P. V. 1-3; Dular 1979, pp. 283, 284, P. 1. 21-22, P. 3.3; Vikić-Belanić 1948, pp. 43, 44, Fig. 6b.

57 Ivčević 2003b, p. 136, cat. no. 22; Ivčević 1999, pp. 111-112, cat. no. 33-47, Fig. 12-22; Pompeji Wiederentdeckt 1994, p. 184, cat. no. 34b.

58 Bíró 1994, p. 36-37, Fig. 11.

59 Buljević 2010, pp. 143 and 165, G 18. 164, 165, P. 16, Fig. 56; Ivčević 2002a, pp. 333-334, cat. no. 23.



Zlatnom prstenu s motivom otvorene šake na zaglavnoj pločici (kat. br. 75, T. 4. 75, sl. 75) tipološki je srodno prstenje datirano u 1. st. posl. Kr.<sup>60</sup>

U urni je još bila polovica školjke, Jakovljeve kapice (kat. br. 76, T. 5. 76, sl. 76).

U paljevinskom sloju u kojem je bila urna, u jednoj je staklenoj posudici (kat. br. 78, T. 5. 78, sl. 78 ili kat. br. 79, T. 5. 79, sl. 79) nađen brončani novac (kat. br. 77, T. 5. 77, sl. 77) kovan u zadnjim godinama Tiberijeve vladavine,<sup>61</sup> što datira grob u vrijeme kraja njegove vladavine, odnosno u vrijeme njegovih nasljednika.

Novac je nađen u jednom od dva oliformna balazamarija (kat. br. 78 i 79, T. 5. 78 i 79, sl. 78 i 79). To su vjerojatno bili spremnici kozmetičkih i medicinskih supstancija. Uglavnom su puhani od stakla u prirodnim nijansama (kat. br. 79, T. 5. 79, sl. 79), rjeđi su primjerci od bojenog stakla (kat. br. 78, T. 5. 78, sl. 78). Počinju se proizvoditi u Klaudijevo doba i u uporabi su do u 4. st. posl. Kr., a uobičajeni su na zapadu Carstva od flavijevskog doba do kraja 2. st. posl. Kr.<sup>62</sup>

Nađen je jedan balzamarij sferoidalnog tijela (kat. br. 80, T. 5. 80, sl. 80). Takvi dalmatinski balzamariji iz Salone<sup>63</sup> i Zadra te Bakra<sup>64</sup> pripadaju tipu balzamarija koji se počinje proizvoditi već u Augustovo doba i dobro je dokumentiran u Italiji i drugim zapadnim provincijama.<sup>65</sup> Balzamariji sferična tijela i kratkog vrata, često od bojenog stakla, proizvodili su se od Augustova doba.<sup>66</sup> Sferični su se balzamariji dugog vrata od prirodno nijansirano stakla izrađivali već u drugoj četvrtini 1. st. posl. Kr., vjerojatno na izmaku tridesetih godina, a bili su uobičajeni u drugoj polovini 1. st. posl. Kr. kada koegzistiraju s primjercima kraćeg vrata.<sup>67</sup> Većina ih autora kao jedinstven tip datira u 1. st. i početak ili 1. pol. 2. st.<sup>68</sup>

Cjevasti balzamariji, njih trideset šest, (kat. br. 81-117, T. 5. 81-84; T. 6. 85-105; T. 7. 106-117, sl. 81-117) čine većinu staklenih priloga. Ti su balzamariji najbrojniji od svih balzamarija i uobičajen su inventar u cijelom rimskom svijetu u ranom Carstvu.<sup>69</sup> Pomalo nepravilni obodi (svi ljevčasti, osim kat. br.

The golden ring with the motif of an open fist on the bezel plate (cat. no. 75, P. 4. 75, fig 75) is typologically similar to the rings dated to the first century AD.<sup>60</sup>

The urn contained half of a scallop shell (cat. no. 76, P. 5. 76, fig 76).

In the incineration layer in which there were urn, one glass vessel (cat. no. 78, P. 5. 78, fig. 78 or cat. no.79, P. 5. 79, fig. 79), contained a bronze coin (cat. no. 77, P. 5. 77, fig. 77) minted in the final years of Tiberius' reign,<sup>61</sup> which dates the grave to the time of his reign, or the period of his successors.

The coin was found in one of two olla-form balsamaria (cat. no. 78 and 79, P. 5. 78 and 79, fig. 78 and 79). These were probably containers for cosmetic and medicinal substances. Generally they were blown from glass in natural tones (cat. no. 79, P. 5. 79, fig. 79), while more rarely they were made of coloured glass (cat. no. 78, P. 5. 78, fig. 78). Their production began in the Claudian era and they were used well into the fourth century AD, and they were common in the western Empire from the Flavian era to the end of the second century AD.<sup>62</sup>

A single balsamarium with spherical body was found (cat. no. 80, P. 5. 80, fig. 80). Such Dalmatian balsamaria from Salona<sup>63</sup> and Zadar, and also Bakar,<sup>64</sup> belong to the balsamarium type which already began to be manufactured during the Augustan era and it has been well documented in Italy and other western provinces.<sup>65</sup> Balsamaria with spherical bodies and short necks, often made of coloured glass, were made since the Augustan era.<sup>66</sup> Spherical balsamaria with long necks made of naturally toned glass were already made during the second quarter of the first century AD, probably at the end of the fourth decade, and they were customary in the latter half of the first century when they coexisted with examples with shorter necks.<sup>67</sup> Most authors date them as unique types to the first and beginning or first half of the second century AD.<sup>68</sup>

Tubular balsamaria, thirty-six of them (cat. no. 81-117, P. 5. 81-84; P. 6. 85-105; P. 7. 106-117, fig. 81-117), make up the majority of the glass items. These balsamaria are the most numerous of all balsamaria and a standard accessory in the entire Roman world during the time of the early Empire.<sup>69</sup> The slightly irregular rims (all funnelled except cat.

60 Ivčević 2002b, str. 280, kat. br. 6; D'Ambrosio, De Carolis 1997, T. VI, VII, kat. br. 56-68; T. XXII, XXIII, kat. br. 214-226. S nepoznatog dalmatinskog lokaliteta potječe takav srebreni prsten: Nedved 1981, kat. br. 174.

61 RIC 58.

62 Lazar 2008, str. 82-83; Lazar 2003, 8.2.1, 8.2.2, str. 170; Buljević 2002, 3i, str. 399-400; Fadić 2001, str. 17, 3.2; Ciarallo, De Carolis 1999, kat. br. 270; Ravagnan 1994, str. 53-59; Isings 1957, oblik 68, str. 88-89.

63 Buljević 2002, str. 396, 3g, T. I. 30-33.

64 Lazar 2008, str. 87, 90, T. 19. 6.

65 De Tommaso 1990, str. 46, skupina/tip 12; Biaggio Simona 1991, str. 131, bilj. 33 i 34, str. 133.

66 Isings 1957, str. 22-23, oblik 6; De Tommaso 1990, dtr. 42, tip 7.

67 Biaggio Simona 1991, str. 133.

68 Lazar 2003, str. 197, 8.6.13; Lazar 2008, str. 87, 90, T. 19. 6.

69 Isings 1957, oblik 8, str. 24; De Tommaso 1990, grupa/tip 60, 67, 70, 71, 72, str. 78, 81-85; Fadić 1998, kat. br. 4, 10, 11, 12, 14, 21 - 23, str. 80; Fadić 2001, 2.6., T. 2, kat. br. 25-39, 41, 42, str. 161-164; Buljević 2002, I: 3k3 - 3k6, str. 401-403; II: T. III-VI, str. 202-204; Buljević 2003a, kat. br. 37-47, T. 5. 8-15, T. 6. 1-3; Buljević 2004, kat. br. 41, str. 196-197.

60 Ivčević 2002b, p. 280, cat. no. 6; D'Ambrosio, De Carolis 1997, P. VI, VII, cat. no. 56-68; P. XXII, XXIII, cat. no. 214-226. Such a silver ring is from an unknown Dalmatian site: Nedved 1981, cat. no. 174.

61 RIC 58.

62 Lazar 2008, pp. 82-83; Lazar 2003, 8.2.1, 8.2.2, p. 170; Buljević 2002, 3i, pp. 399-400; Fadić 2001, p. 17, 3.2; Ciarallo, De Carolis 1999, cat. no. 270; Ravagnan 1994, pp. 53-59; Isings 1957, form 68, pp. 88-89.

63 Buljević 2002, p. 396, 3g, P. I. 30-33.

64 Lazar 2008, p. 87, 90, P. 19. 6.

65 De Tommaso 1990, p. 46, group/type 12; Biaggio Simona 1991, p. 131, note 33 and 34, p. 133.

66 Isings 1957, pp. 22-23, form 6; De Tommaso 1990, p. 42, type 7.

67 Biaggio Simona 1991, p. 133.

68 Lazar 2003, p. 197, 8.6.13; Lazar 2008, p. 87, 90, p. 19. 6.

69 Isings 1957, form 8, p. 24; De Tommaso 1990, group/type 60, 67, 70, 71, 72, pp. 78, 81-85; Fadić 1998, cat. no. 4, 10, 11, 12, 14, 21-23, p. 80; Fadić 2001, 2.6., P. 2, cat. no. 25-39, 41, 42, pp. 161-164; Buljević 2002, I: 3k3 - 3k6, pp. 401-403; II: P. III-VI, pp. 202-204; Buljević 2003a, cat. no. 37-47, P. 5. 8-15, T. 6. 1-3; Buljević 2004, cat. no. 41, pp. 196-197.





87 i 103, T. 6. 87 i 103, sl. 87 i 103, koji su horizontalni, oboda svijena prema unutra), vratovi, tijela, nestabilnost i gama boja ograničena na prirodne nijanse značajka su svih cjevastih balzamarija. Oni većeg volumena tijela u odnosu na vrat datiraju se od kasnog Augustovog, odnosno Tiberijevog doba do početka 2. st.<sup>70</sup> Poznata je tendencija kasnijeg produživanja vrata, odnosno limitiranja volumena tijela. Tako su čunjasti cjevasti balzamariji, odnosno balzamariji kojima je tijelo duže od vrata, najraniji cjevasti balzamariji. Slijede balzamariji gotovo jednako dugog tijela i vrata, potom oni s tijelom kraćim od vrata. Cjevasti balzamariji gotovo jednako dugog tijela i vrata javljaju se oko 50. g. poslije Krista.<sup>71</sup>

Vrat keramičkog balzamarija (kat. br. 118, T. 7. 118, sl. 118) pripada balzamarijima oblog tijela i ravnog dna, kakvi su u uporabi tijekom 1. st. pr. Kr. do kraja 1. st. posl. Kr., a uobičajeni su u kasnom 1. st. pr. Kr. i prvim dekadama 1. st. posl. Kr.<sup>72</sup> Analogni salonitanski balzamariji datirani su u sredinu 1. st. posl. Kr.<sup>73</sup> Zadarski su primjerci datirani u razdoblje od 1. st. do početka 2. st.<sup>74</sup> Možda je vretenasti balzamarij zamijenjen balzamarijem oblog tijela i ravnog dna pod utjecajem staklenih proizvoda.<sup>75</sup> Poznato je da se tijekom 1. st. posl. Kr., s masovnom proizvodnjom staklenih balzamarija gasi proizvodnja keramičkih, a najmlađi je tip keramičkih balzamarija, *Haltern 31*, u uporabi do kraja stoljeća, vjerojatno imitacija jednog staklenog tipa.<sup>76</sup> U grobljima i naseljima prvih desetljeća 1. st. posl. Kr. rijetki su nalazi keramičkih balzamarija u odnosu na staklene, ali u grobovima su nađeni obli keramički balzamariji zajedno sa staklenima.<sup>77</sup>

Proizvodnja staklenih kvadratičnih boca (kat. br. 119-121, T. 7. 119 i T. 8. 120-121, sl. 119-121) počinje početkom 1. st. posl. Kr., sudeći prema nalazima iz Magdalensberga. Dugotrajan su i široko rasprostranjen oblik za pohranu i transport, a uobičajene su od 2. pol. 1. st. i u 2. st.<sup>78</sup>

Staklena zdjelica s ručicama (kat. br. 122, T. 8. 122, sl. 122) pripada varijanti *Isings 12* čaša ili zdjelica konveksnog oboda datiranih u 1. st. posl. Kr., počam od Tiberijevog i Klaudijevog doba.<sup>79</sup> Nepoznati su nam analogni primjerci s ručicama.

Primjerci srodni globularnoj zdjelici od keramike tankih stijenki (kat. br. 123, T. 8. 123, sl. 123) potječu iz Emone i vjerojatno su lokalna imitacija tipa proizvedenog u Italiji i proširenog po

no. 87 and 103, P. 6. 87 and 103, fig. 87 and 103: horizontal, inwardly bent rim), necks, bodies, instability and the limited range of colours in natural tones are typical of all tubular balsamaria. Those with bodies having a higher volume in comparison to the necks have been dated from the late Augustan and Tiberian eras to the beginning of the second century.<sup>70</sup> The later tendency to extend the neck, thereby limiting the body's volume, is well known. Thus, conical tubular balsamaria, meaning balsamaria on which the body is longer than the neck, are the earliest tubular balsamaria. These were followed by balsamaria with necks and bodies of virtually equal length, then those with bodies shorter than the necks. Tubular balsamaria with equal body and neck length appeared at around the year 50 AD.<sup>71</sup>

The neck of a ceramic balsamarium (cat. no. 118, P. 7. 118, fig. 118) belonged to the type of balsamaria with rounded bodies and flat bases, as used from the first century BC to the end of the first century AD, which were quite common in the last first century BC and the early decades of the first century AD.<sup>72</sup> Analogous Salona balsamaria have been dated to the mid-first century AD.<sup>73</sup> The Zadar examples have been dated to the first and early second centuries AD.<sup>74</sup> It is possible that the spindle-shaped balsamarium was replaced by the balsamarium with rounded body and flat base under the influence of glass products.<sup>75</sup> Production of ceramic balsamaria was eventually phased out during the first century AD once mass production of glass balsamaria began, and that the youngest ceramic balsamarium type, *Haltern 31*, was in use to the end of the century, probably an imitation of a glass type.<sup>76</sup> Ceramic balsamaria were rare finds in the necropolises and settlements of the first decades of the first century AD in comparison to their glass counterparts, but rounded ceramic balsamaria were found in graves together with glass ones.<sup>77</sup>

Production of square glass phials (cat. no. 119-121, P. 7. 119 and P. 8. 120-121, fig. 119-121) began in the early first century AD, judging by the finds from Magdalensberg. They were an enduring and widespread form used for storage and transportation, and they were common from the latter half of the first century and into the second century AD.<sup>78</sup>

The small glass bowl with handles (cat. no. 122, P. 8. 122, fig. 122) belongs to *Isings* variant 12 of drinking glasses or bowls with convex rims, dated to the first century AD, beginning with the Tiberian/Claudian era.<sup>79</sup> Analogous examples with small handles are not known.

Examples of similar globular bowls made of thin-walled ceramic (cat. no. 123, P. 8. 123, fig. 123) originated in Aemona and were probably local imitations of a type produced in Italy and widespread in

70 Biaggio Simona 1991, str. 140-144, T. 19-21, sl. 6; Platz-Horster 1979, 27-31, sl. 1 i 2; Buljević 2002, 3k3.

71 Biaggio Simona 1991, str. 141-142, sl. 64, 65, T. 19, 20 i 21, sl. 6; Buljević 2002, 3k4.

72 Anderson-Stojanović 1987, oblik 2, str. 110-114.

73 Mardešić 2002.

74 Gluščević 1990, G 8, str. 120-123, T. XII. 24, 25, T. XIII i T. XIV. 26, bilj. 59.

75 Anderson-Stojanović 1987, str. 111, bilj. 34-35, str. 113, bilj. 41.

76 De Tommaso 1990, str. 20, bilj. 7; Anderson-Stojanović 1987, str. 113, bilj. 42.

77 Anderson-Stojanović 1987, str. 113, bilj. 45.

78 Czurda-Ruth 1979, str. 135; Charlesworth 1966; *Isings* 1957, str. 63-67, oblik 50.

79 Rossi, Chiaravalle 1998, str. 30, T. II. 4; *Isings* 1957, oblik 12, str. 27-30.

70 Biaggio Simona 1991, pp. 140-144, P. 19-21, Fig. 6; Platz-Horster 1979, 27-31, Fig. 1 and 2; Buljević 2002, 3k3.

71 Biaggio Simona 1991, pp. 141-142, Fig. 64, 65, P. 19, 20 and 21, Fig. 6; Buljević 2002, 3k4.

72 Anderson-Stojanović 1987, form 2, pp. 110-114.

73 Mardešić 2002.

74 Gluščević 1990, G 8, pp. 120-123, P. XII. 24, 25, P. XIII and P. XIV. 26, note 59.

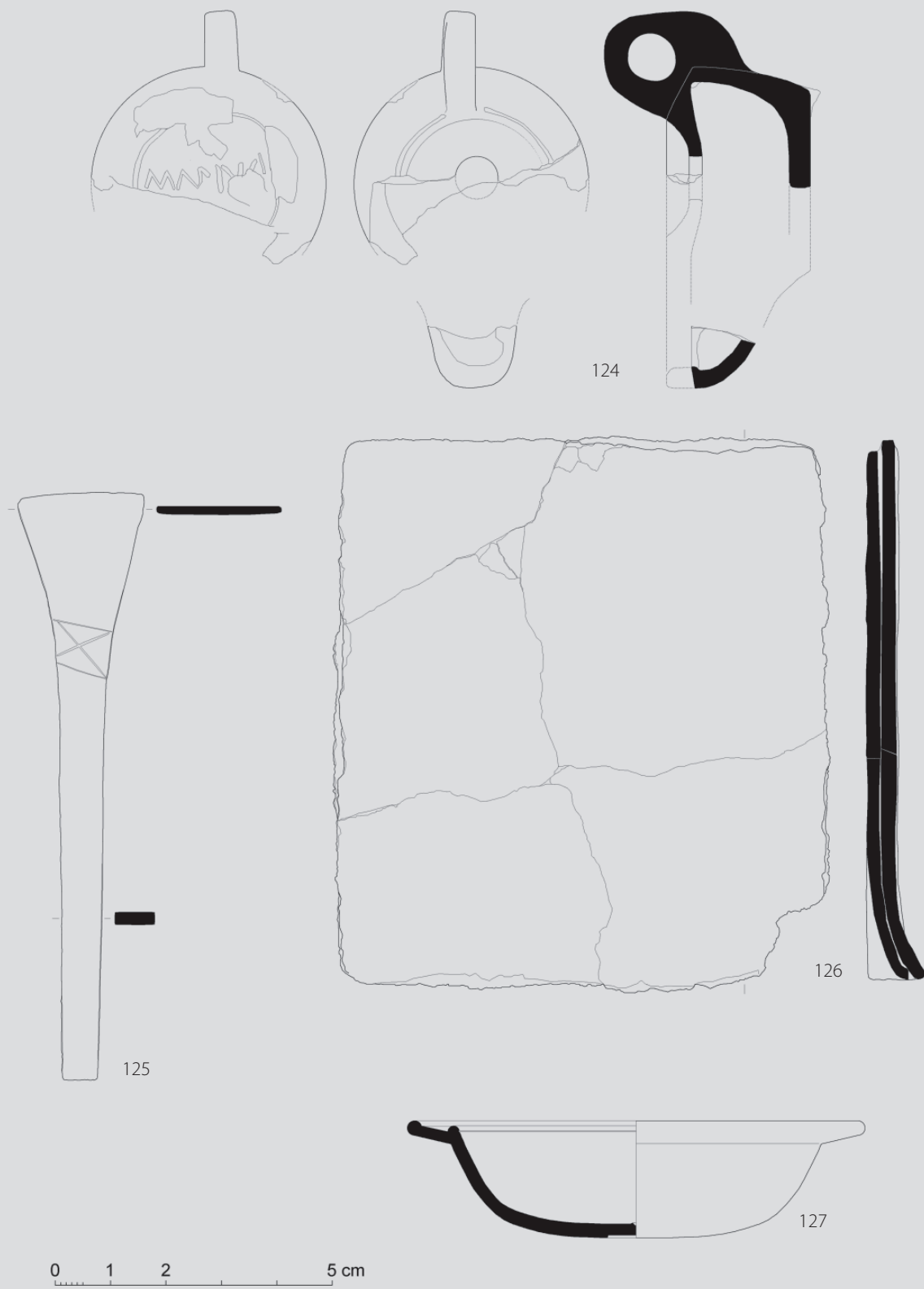
75 Anderson-Stojanović 1987, p. 111, note 34-35, pp. 113, note 41.

76 De Tommaso 1990, p. 20, note 7; Anderson-Stojanović 1987, p. 113, note 42.

77 Anderson-Stojanović 1987, p. 113, note 45.

78 Czurda-Ruth 1979, p. 135; Charlesworth 1966; *Isings* 1957, pp. 63-67, form 50.

79 Rossi, Chiaravalle 1998, p. 30, P. II. 4; *Isings* 1957, form 12, pp. 27-30.



većem dijelu Mediterana od flavijevskog doba, osobito krajem prvog i početkom drugog stoljeća, uz napomenu da proizvodnja tipa traje do kraja 2. st., te da su poznati i kasnije datirani primjerci.<sup>80</sup>

Lucerna malih dimenzija (kat. br. 124, T. 9. 124, sl. 124) nije sačuvana u mjeri u kojoj možemo odrediti njezinu tipološku pripadnost.

Oruđe analogno patuli trapezoidnog kraka (kat. br. 125, T. 9. 125, sl. 125) potječe iz ostave u jami u Titelbergu datirane u 1. st. posl. Kr.<sup>81</sup> U jami su zajedno s jednokrakima nađene i dvokrake špatule, kakva je ona iz naronitanskog groba liječnika.<sup>82</sup> U Magdalensbergu su također nađene dvokrake i jednokrake špatule, datirane u Augustovo, Tiberijevo i Klaudijevo doba, kakve su, sudeći prema brojnim analogijama, u uporabi od republikanskog doba do kasne antike i mogle su služiti za oblikovanje i dekoriranje keramike.<sup>83</sup> S obzirom na nalaz iz Narone te druge navedene analogije držimo da su takve špatule rabljene za miješanje, nanošenje, odstranjivanje, oblikovanje i dekoriranje različitih materijala.

Kozmetičkom priboru sigurno pripada ogledalo (kat. br. 126, T. 9. 126, sl. 126). Analogno ogledalo (*speculum*) iz G 14 u Trier-Saarburgu datirano je od 60. do 70. g.<sup>84</sup> Veći broj takvih ranorimskih ogledala nađen je u Magdalensbergu, gdje su kao dio ženske noričke nošnje čest grobni nalaz i možda lokalni proizvod.<sup>85</sup>

Poznati su slični italjski primjerci patere (kat. br. 127, T. 9. 127, sl. 127): patera, vjerojatno oltarni ures iz Industrije,<sup>86</sup> odnosno obod srodne posude s područja Pavije.<sup>87</sup>

## Zaključak

Model staklenog broda iz Salone (kat. br. 1, T. 2. 1, sl. 1) nađen je u ženskom, možda dječjem grobu 348 salonitanske Zapadne nekropole (T. 1), u sloju datiranim novcem.

Staklena urna (kat. br. 3, T. 2. 3, sl. 3) u kojoj je nađen brodić pripada tipu koji se proizvodio od Tiberijevog, odnosno Klaudijevog doba, a keramičkom poklopcu urne (kat. br. 4, T. 2. 4, sl. 4) analogan je poklopac iz ptujskoga groba 645, datiranog u 1. st. posl. Kr., od Tiberijeva doba do 1. trećine 2. st. Od ostalih grobnih priloga u salonitanskoj urni (kat. br. 3, T. 2. 3, sl. 3) koštane se ukosnice (kat. br. 68, 69, T. 4. 68 i 69, sl. 68 i 69), špatule (kat. br. 71, 72, T. 4. 71 i 72, sl. 71 i 72) i češalj (kat. br. 74, T. 4. 74, sl. 74) mogu datirati od sredine 1. st. nadalje. Zlatni prsten s motivom otvorene šake na zaglavnoj pločici (kat. br. 75, T. 4. 75, sl. 75) ne može se datirati preciznije u okviru 1. st. posl. Kr. Ostali su nalazi kronološki neosjetljivi.

most of the Mediterranean since the Flavian era, particularly at the end of the first and beginning of the second century AD, and it should be noted that production of this type lasted until the end of the second century AD, and that examples dated to even later periods are known.<sup>80</sup>

The small oil-lamp (cat. no. 124, P. 9. 124, fig. 124) was not preserved to the extent to which its typological classification can be determined.

An analogue to the spatula with trapezoidal blade (cat. no. 125, P. 9. 125, fig. 125) originated in the hoard found in a pit in Titelberg, dated to the first century AD.<sup>81</sup> Double-blade spatulas were found together with the single-blade spatulas in that pit, identical to the one found in a physician's grave in Narona.<sup>82</sup> Both double- and single-blade spatulas were found in Magdalensberg as well, and dated to the Augustan, Tiberian and Claudian periods. Judging by the numerous analogies, they were in use from the Republic era to Late Antiquity and they may have been used to shape and decorate ceramics.<sup>83</sup> Given the find from Narona and the other cited analogies, I maintain that such spatulas were used for mixing, applying, removing, forming and decorating various materials.

The mirror (cat. no. 126, P. 9. 126, fig. 126) is certainly also a cosmetic accessory. An analogous mirror (*speculum*) from G 14 in Trier-Saarburg was dated to 60-70 AD.<sup>84</sup> Many such early Roman mirrors were found in Magdalensberg, where they were a frequent grave good as a part of Noricum women's accessories, and possibly local products.<sup>85</sup>

Similar Italic examples of the patera (cat. no. 127, P. 9. 127, fig. 127) are known: a patera, probably an altar ornament from Industria,<sup>86</sup> and the rim of a similar vessel from the area of Pavia.<sup>87</sup>

## Conclusion

A model of a glass boat from Salona (cat. no. 1, P. 2. 1, fig. 1) was found in a woman's or possibly child's grave 348 of Salona's West Necropolis, in a layer dated using the coins found there.

The glass urn (cat. no. 3, P. 2. 3, fig. 3) in which a small boat was found belongs to the type made during the Tiberian and Claudian periods, while the urn's ceramic lid (cat. no. 4, P. 2. 4, fig. 4) is analogous to the lid from Ptuj grave 645, dated to the first century AD from the Tiberian era to the first third of the second century AD. Out of the remaining grave goods in the Salona urn (cat. no. 3, P. 2. 3, fig. 3), the bone hairpins (cat. no. 68, 69, P. 4. 68 and 69, fig. 68 and 69), spatulas (cat. no. 71, 72, P. 4. 71 and 72, fig. 71 and 72) and comb (cat. no. 74, P. 4. 74, fig. 74) may be dated to the mid-first century onward. The golden ring with the motif of an open fist on the bezel plate (cat. no. 75, P. 4. 75, fig. 75) cannot be dated more precisely within the framework of the first century AD. The remaining finds are not chronologically sensitive.

80 Ricci 1985, str. 268, T. LXXXV. 2, 5, tip I/122, I/124.

81 Krier 1983.

82 Buljević 2003b, str. 103-104, T. V. 66.

83 Dolenz 1998, str. 225-228, T. 84-86.

84 Goethert-Polaschek 1983.

85 Deimel 1987, str. 78-80, T. 58. 1, 2, T. 59. 1, 3-5, T. 60, 3, 4.

86 Mercado, Zanda 1998, str. 124-125, kat. br. 129, T. LXXXII.

87 Invernizzi 2002, str. 418, sl. 6.

80 Ricci 1985, p. 268, P. LXXXV. 2, 5, type I/122, I/124.

81 Krier 1983.

82 Buljević 2003b, pp. 103-104, P. V. 66.

83 Dolenz 1998, pp. 225-228, P. 84-86.

84 Goethert-Polaschek 1983.

85 Deimel 1987, pp. 78-80, P. 58. 1, 2, P. 59. 1, 3-5, P. 60, 3, 4.

86 Mercado, Zanda 1998, pp. 124-125, cat. no. 129, P. LXXXII.

87 Invernizzi 2002, p. 418, Fig. 6.

U paljevinskom sloju u kojem je bila urna, u jednoj je staklenoj posudici nađen brončani novac kovan u zadnjim godinama Tiberijeve vladavine (kat. br. 77, T. 5. 77, sl. 77), što grob datira u vrijeme kraja njegove vladavine, odnosno u vrijeme njegovih nasljednika. Takvu dataciju potvrđuju i ostali nalazi u sloju.

Novac je nađen u jednom od dva oliformna balzamarija (kat. br. 78 i 79, T. 5. 78, sl. 78 ili kat. br. 79, T. 5. 79, sl. 79) kakvi se proizvode od Klaudijeve doba, a uobičajeni su na zapadu Carstva od flavijevskog doba do kraja 2. st. posl. Kr. Nađen je i jedan balzamarij sferoidalnog tijela (kat. br. 80, T. 5. 80, sl. 80) koji pripada tipu što se datira u 1. st. i početak ili 1. pol. 2. st. Cjevasti balzamariji, njih trideset šest (kat. br. 81-117, T. 5. 81-84; T. 6. 85-105; T. 7. 106-117, sl. 81-117), čine većinu staklenih priloga. Riječ je o balzamarijima kojima je tijelo duže ili gotovo jednako dugo kao vrat. Cjevasti balzamariji većeg volumena tijela u odnosu na vrat datiraju se od kasnog Augustovog, odnosno Tiberijeve doba do početka 2. st. Poznata je tendencija kasnijeg produživanja vrata, odnosno limitiranja volumena tijela. Tako su čunjasti cjevasti balzamariji, odnosno balzamariji kojima je tijelo duže od vrata najraniji cjevasti balzamariji. Slijede balzamariji gotovo jednako dugog tijela i vrata, potom oni s tijelom kraćim od vrata. Cjevasti balzamariji gotovo jednako dugog tijela i vrata javljaju se oko 50. g. posl. Kr. Vrat keramičkog balzamarija (kat. br. 118, T. 7. 118, sl. 118) pripada balzamarijima oblog tijela i ravnog dna, kakvi su u uporabi tijekom 1. st. pr. Kr. i u 1. st. posl. Kr. Tijekom 1. st. posl. Kr. s masovnom se proizvodnjom staklenih balzamarija gasi proizvodnja keramičkih, a najmlađi je tip keramičkih balzamarija, *Haltern 31*, u uporabi do kraja stoljeća, vjerojatno imitacija jednog staklenog tipa. U grobljima i naseljima prvih desetljeća 1. st. posl. Kr. rijetki su nalazi keramičkih balzamarija u odnosu na staklene, ali u grobovima su nađeni obli keramički balzamariji zajedno sa staklenima.

Proizvodnja staklenih kvadratičnih boca (kat. br. 119-121, T. 7. 119 i T. 8. 120-121, sl. 119-121) počinje, sudeći prema nalazima iz Magdalensberga, početkom 1. st. posl. Kr. Dugotrajan su i široko rasprostranjen oblik za pohranu i transport, a uobičajene su od 2. pol. 1. st. i u 2. st.

Staklena zdjelica s ručicama (kat. br. 122, T. 8. 122, sl. 122) pripada varijanti *Isings 12* čaša ili zdjelica konveksnog oboda datiranih u 1. st. posl. Kr., počam od Tiberijeve, odnosno Klaudijeve doba.

Metalno ogledalo (kat. br. 126, T. 9. 126, sl. 126) datira se u 1. st. posl. Kr.

Ostali nalazi nisu kronološki osjetljivi.

S obzirom na nalaz novca, oliformnih balzamarija, cjevastih balzamarija jednako dugog tijela i vrata držimo da sloj, kao i grob, treba datirati najranije u Tiberijevo i Klaudijevo doba, a s obzirom na zastupljenost ostalih nalaza iz 1. st. da grob nije bitno mlađi od 1. st. posl. Kr.

Prema navedenim analognim primjercima te okolnostima nalaza, za salonitanski brodić možemo zaključiti da je italiski proizvod 2. četvrtine ili sredine 1. st. poslije Krista, a vjerojatno su se u njemu držali kocke i žetoni.

A bronze coin minted in the final years of Tiberius' reign (cat. no. 77, P. 5. 77, fig. 77) was found in the incineration layer containing an urn, in a small glass vessel, which dates the grave to the end of his reign or the period of his successors. Such dating is confirmed by other finds in the layer.

The coin was found in an olla-form balsamarium (cat. no. 78, P. 5. 78, fig. 78 or cat. no. 79, P. 5. 79, fig. 79) of a kind manufactured during the Claudian era, which were common in the western Empire from the Flavian era to the end of the second century AD. A balsamarium with spheroid body (cat. no. 80, P. 5. 80, fig. 80) belongs to a type dated to the first and the beginning or first half of the second century AD. Tubular balsamaria, thirty-six of them (cat. no. 81-117, P. 5. 81-84; P. 6. 85-105; P. 7. 106-117, fig. 81-117), make up the majority of the glass items. These are balsamaria on which the body is longer or the same length as the neck. Tubular balsamaria with higher-volume bodies compared to the necks have been dated to the late Augustan and Tiberian periods to the beginning of the second century. The later tendency to extend the neck and limit the body volume is well known. Such conical tubular balsamaria, i.e., balsamaria with bodies longer than the necks, were the earliest tubular balsamaria. These are followed by balsamaria with bodies and necks of virtually equal length, followed by those with bodies shorter than the necks. Tubular balsamaria with almost equally long bodies and necks appeared at roughly the year 50 AD. The neck of the ceramic balsamarium (cat. no. 118, P. 7. 118, fig. 118) belongs to the type of balsamarium with a rounded body and flat base, which were in use during the first century BC and first century AD. Production of ceramic balsamaria was eventually phased out during the first century AD once mass production of glass balsamaria began, and the youngest ceramic balsamarium type, *Haltern 31*, was in use to the end of the century, probably an imitation of a glass type. Ceramic balsamaria were rare finds in the necropolises and settlements of the first decades of the first century AD in comparison to their glass counterparts, but rounded ceramic balsamaria were found in graves together with glass ones.

Production of glass quadratic phials (cat. no. 119-121, P. 7. 119 and P. 8. 120-121, fig. 119-121) began in the early first century AD, judging by the finds from Magdalensberg. They were an enduring and widespread form used for storage and transportation, and they were common from the latter half of the first century and into the second century AD.

The small glass bowl with handles (cat. no. 122, P. 8. 122, fig. 122) belongs to *Isings* variant 12 of drinking glasses or bowls with convex rims, dated to the first century AD, beginning with the Tiberian/Claudian era.

The metal mirror (cat. no. 126, P. 9. 126, fig. 126) dates to the first century AD.

The remaining finds are not chronologically sensitive.

Given the finds of coins, olla-form balsamaria, and tubular balsamaria with equal body and neck lengths, I maintain that the layer, like the grave, should be dated to the Tiberian-Claudian era at the earliest, and with regard to the presence of the remaining first-century finds, the grave cannot be younger than the first century AD.

Given the analogous example and the find context, we may conclude that the *Salona* boat is an Italic product of the second quarter or mid-first century AD and possibly served as a container for dice and counters.

**Katalog**

## Nalazi unutar urne

1. Stakleni brodić, T. 2. 1, sl. 1  
Inv. br. AMS-72155  
Materijal / opis: brodić od lijevanog, rezanog, brušenog i poliranog poluprozirnog zelenog stakla, glatkih stijenki, izduženog ovalnog trupa. Vrh pramčane statve ili ašte srcolikog je oblika, a krma je svijena visoko iznad kobilice ili kolumbe.<sup>88</sup>  
Dimenzije: duž. 15,43 cm, šir. 4,96 cm, vis. krme 4 cm.  
Analogije: Harden et al. 1987; Calvi 1974-1975.
2. Kamena urna, T. 2. 2, sl. 2  
Inv. br. AMS-72573  
Materijal / opis: kamena urna okruglog tijela i čvrtastog poklopca konveksnog u središtu s vanjske strane i s udubljenim krugom s unutrašnje strane.  
Dimenzije: vis. 31,5 cm; tijelo: vis. 25 cm, vanjski pr. 30 cm, unutrašnji pr. 23 cm, pr. oboda 26 cm, dub. 23 cm; poklopac: duž. Stranice 31 X 30 cm, deb. 3,5 cm, vis. 8 cm; unutrašnje kružno udubljenje: pr. 27 cm, dub. 1,5 cm.
3. Staklena urna, T. 2. 3, sl. 3  
Inv. br. AMS-72303  
Materijal / opis: urna od prozirnog zelenkastog stakla, konkavnog dna, ovoidnog tijela, horizontalno izvučenog, široko zaravnjenog oboda s donje strane svijenog ruba.  
Dimenzije: vis. 22 cm, pr. oboda 15 cm.
4. Poklopac urne, T. 2. 4, sl. 4  
Inv. br. AMS-72310  
Materijal / opis: keramički konični poklopac jednostavnog oboda, s punom središnjom koničnom ručicom zaravnjenog vrha; boja: 7.5YR 6/4; premaz: 7.5YR 3/4.<sup>89</sup>  
Dimenzije: vis. 4,5 cm, pr. oboda 12,7 cm, pr. ručice 2,3-2,8 cm.
5. Žeton, T. 2. 5, sl. 5  
Inv. br. AMS-72066  
Materijal / opis: koštani predmet kružnog oblika, bikoničan, ravnih ploha, od kojih je u središtu jedne urezana točkica.  
Dimenzije: pr. 1,74 cm, deb. 0,55 cm.
6. Oblutak, T. 3. 6, sl. 6  
Inv. br. AMS-72054  
Materijal / opis: stakleni oblutak, u presijeku bijele boje, izvana s crnim naslagama, te tragovima modre, neproziran, plankonveksan; razbijen na dva dijela.  
Dimenzije: pr. 1,96 cm, deb. 0,56 cm.

**Catalogue**

## Finds inside the urn

1. Glass boat, P. 2. 1, fig. 1  
Inv. no. AMS-72155  
Material/description: small boat made of moulded, cut, sanded and polished semi-transparent green glass, with smooth walls, oblong oval hull. The tip of the bowsprit is heart-shaped, while the stern curves high above the keel.<sup>88</sup>  
Dimensions: lng. 15.43 cm, wid. 4.96 cm, ht. of stern 4 cm.  
Analogies: Harden et al. 1987; Calvi 1974-1975.
2. Stone urn, P.2.2., fig 2  
Inv. no. AMS-72573  
Material/description: stone urn with round body and rectangular lid convex in the middle from outside and with depressed circle on inside.  
Dimensions: ht. 31.5 cm; body: ht. 25 cm, external dia. 30 cm, internal dia. 23 cm, dia. of rim 26 cm, depth: 23 cm; lid: sides 31 x 30 cm, thk. 3.5 cm, ht. 8 cm; inside circular depression: dia. 27 cm, depth 1.5 cm.
3. Urn, P. 2. 3, fig. 3  
Inv. no. AMS-72303  
Material/description: urn made of transparent greenish glass, with concave base, ovoid body, horizontal outwardly drawn, widely flattened rim from lower side of bent edge.  
Dimensions: ht. 22 cm, rim dia. 15 cm.
4. Urn lid, P. 2. 4, fig. 4  
Inv. no. AMS-72310  
Material/description: ceramic conical lid with simple rim, with full middle conical handle having flattened top; colour: 7.5YR 6/4; coating: 7.5YR 3/4.<sup>89</sup>  
Dimensions: ht. 4.5 cm, rim dia. 12,7 cm, handle dia. 2.3-2.8 cm.
5. Token, P. 2. 5, fig. 5  
Inv. no. AMS-72066  
Material/description: circular bone item, biconical, with flat surfaces, one of which having single engraved dot in middle.  
Dimensions: dia. 1.74 cm, thk. 0.55 cm.
6. Counter, P. 3. 6, fig. 6  
Inv. no. AMS-72054  
Material/description: glass counter, white in cross-section with black deposits on exterior, with traces of azure, opaque, plano-convex; broken into two pieces.  
Dimensions: dia. 1.96 cm, thk. 0.56 cm.

88 O nazivlju: Radovan Vidović, *Pomorski rječnik*, Split 1984; G. Filipi, *Betinska brodogradnja. Etimologijski riječnik pučkog nazivlja*, Šibenik 1997.

89 Munsell 2009.

88 On terminology: Radovan Vidović, *Pomorski rječnik*, Split 1984; G. Filipi, *Betinska brodogradnja. Etimologijski riječnik pučkog nazivlja*, Šibenik 1997.

89 Munsell 2009.

- |   |   |
|---|---|
| <p>7. Oblutak, T. 3. 7, sl. 7<br/>Inv. br. AMS-72055<br/>Materijal / opis: stakleni oblutak, u presijeku naizgled crne sjajne boje s bijelom točkom, izvana sivkast, neproziran, plankonveksan; razbijen na dva dijela.<br/>Dimenzije: pr. 1,66 cm, deb. 0,67 cm.</p> | <p>7. Counter, P. 3. 7, fig. 7<br/>Inv. no. AMS-72055<br/>Material/description: glass counter, apparently black glossy colour in cross-section with white dot, greyish outside, opaque, plano-convex; broken into two pieces.<br/>Dimensions: dia. 1.66 cm, thk. 0.67 cm.</p> |
| <p>8. Oblutak, T. 3. 8, sl. 8<br/>Inv. br. AMS-72056<br/>Materijal / opis: stakleni oblutak, u presijeku sjajna irizacija, izvana sivkast, neproziran, plankonveksan; nedostaje manji ulomak.<br/>Dimenzije: pr. 1,7 cm, deb. 0,58 cm.</p>                            | <p>8. Counter, P. 3. 8, fig. 8<br/>Inv. no. AMS-72056<br/>Material/description: glass counter, lustrous irisation in cross-section, greyish outside, opaque, plano-convex; smaller fragment missing.<br/>Dimensions: dia. 1.7 cm, thk. 0.58 cm.</p>                           |
| <p>9. Oblutak, T. 3. 9, sl. 9<br/>Inv. br. AMS-72058<br/>Materijal / opis: stakleni oblutak, svjetlozelene boje, proziran, plankonveksan.<br/>Dimenzije: pr. 1,8 cm, deb. 0,72 cm.</p>  | <p>9. Counter, P. 3. 9, fig. 9<br/>Inv. no. AMS-72058<br/>Material/description: glass counter, light green, transparent, plano-convex.<br/>Dimensions: dia. 1.8 cm, thk. 0.72 cm.</p>   |
| <p>10. Oblutak, T. 3. 10, sl. 10<br/>Inv. br. AMS-72059<br/>Materijal / opis: stakleni oblutak, porozna površina je zelenkaste boje, djelomično s crnim naslagama, neproziran, plankonveksan.<br/>Dimenzije: pr. 1,83 cm, deb. 0,6 cm.</p>                            | <p>10. Counter, P. 3. 10, fig. 10<br/>Inv. no. AMS-72059<br/>Material/description: glass counter, porous surface is greenish, partially with black deposits, opaque, plano-convex.<br/>Dimensions: dia. 1.83 cm, thk. 0.6 cm.</p>   |
| <p>11. Oblutak, T. 3. 11, sl. 11<br/>Inv. br. AMS-72060<br/>Materijal / opis: stakleni oblutak, bijele boje, neproziran, plankonveksan.<br/>Dimenzije: pr. 1,93 cm, deb. 0,66 cm.</p>   | <p>11. Counter, P. 3. 11, fig. 11<br/>Inv. no. AMS-72060<br/>Material/description: glass counter, white, opaque, plano-convex.<br/>Dimensions: dia. 1.93 cm, thk. 0.66 cm.</p>  |
| <p>12. Oblutak, T. 3. 12, sl. 12<br/>Inv. br. AMS-72061<br/>Materijal / opis: stakleni oblutak, bijele boje, neproziran, plankonveksan.<br/>Dimenzije: pr. 1,7 cm, deb. 0,65 cm.</p>  | <p>12. Counter, P. 3. 12, fig. 12<br/>Inv. no. AMS-72061<br/>Material/description: glass counter, white, opaque, plano-convex.<br/>Dimensions: dia. 1.7 cm, thk. 0.65 cm.</p>   |
| <p>13. Oblutak, T. 3. 13, sl. 13<br/>Inv. br. AMS-72062<br/>Materijal / opis: stakleni oblutak, tamnosive boje, sa svijetlim mrljicama, neproziran, plankonveksan.<br/>Dimenzije: pr. 1,75 cm, deb. 0,65 cm.</p>  | <p>13. Counter, P. 3. 13, fig. 13<br/>Inv. no. AMS-72062<br/>Material/description: glass counter, dark grey, with light spots, opaque, plano-convex.<br/>Dimensions: dia. 1.75 cm, thk. 0.65 cm.</p>  |
| <p>14. Oblutak, T. 3. 14, sl. 14<br/>Inv. br. AMS-72063<br/>Materijal / opis: stakleni oblutak, sive boje, neproziran, plankonveksan.<br/>Dimenzije: pr. 1,6 cm, deb. 0,67 cm.</p>  | <p>14. Counter, P. 3. 14, fig. 14<br/>Inv. no. AMS-72063<br/>Material/description: glass counter, grey, opaque, plano-convex.<br/>Dimensions: dia. 1.6 cm, thk. 0.67 cm.</p>  |
| <p>15. Oblutak, T. 3. 15, sl. 15<br/>Inv. br. AMS-72064<br/>Materijal / opis: stakleni oblutak, sive boje, neproziran, plankonveksan.</p>   | <p>15. Counter, P. 3. 15, fig. 15<br/>Inv. no. AMS-72064<br/>Material/description: glass counter, grey, opaque, plano-convex.</p>   |

- |   |  |
|---|--|
| <p>Dimenzije: pr. 1,1 cm, deb. 0,55 cm.<br/>Nađen prilikom pranja kostiju.</p>  | <p>Dimensions: dia. 1.1 cm, thk. 0.55 cm.<br/>Found during washing of bones.</p>   |
| <p>16. Oblutak, T. 3. 16, sl. 16<br/>Inv. br. AMS-72112<br/>Materijal / opis: stakleni oblutak, bijele boje, neproziran, plankonveksan.<br/>Dimenzije: pr. 1,73 cm, deb. 0,6 cm.<br/>Nađen prilikom pranja kostiju.</p> | <p>16. Counter, P. 3. 16, fig. 16<br/>Inv. no. AMS-72112<br/>Material/description: glass counter, white, opaque, plano-convex.<br/>Dimensions: dia. 1.73 cm, thk. 0.6 cm.<br/>Found during washing of bones.</p> |
| <p>17. Oblutak, T. 3. 17, sl. 17<br/>Inv. br. AMS-72113<br/>Materijal / opis: stakleni oblutak, bijele boje, neproziran, plankonveksan.<br/>Dimenzije: pr. 1,4 cm, deb. 0,6 cm.<br/>Nađen prilikom pranja kostiju.</p>  | <p>17. Counter, P. 3. 17, sl. 17<br/>Inv. no. AMS-72113<br/>Material/description: glass counter, white, opaque, plano-convex.<br/>Dimensions: dia. 1.4 cm, thk. 0.6 cm.<br/>Found during washing of bones.</p>   |
| <p>18. Oblutak, T. 3. 18, sl. 18<br/>Inv. br. AMS-72065<br/>Materijal / opis: stakleni oblutak, tamnosive boje, sa svijetlim mrljicama, neproziran, plankonveksan.<br/>Dimenzije: pr. 1,84 cm, deb. 0,7 cm.</p>         | <p>18. Counter, P. 3. 18, fig. 18<br/>Inv. no. AMS-72065<br/>Material/description: glass counter, dark grey, with light spots, opaque, plano-convex.<br/>Dimensions: dia. 1.84 cm, thk. 0.7 cm.</p>              |
| <p>19. Oblutak, T. 3. 19, sl. 19<br/>Inv. br. AMS-72067<br/>Materijal / opis: stakleni oblutak, bijele boje, neproziran, plankonveksan.<br/>Dimenzije: pr. 1,85 cm, deb. 0,6 cm.</p>                                    | <p>19. Counter, P. 3. 19, fig. 19<br/>Inv. no. AMS-72067<br/>Material/description: glass counter, white, opaque, plano-convex.<br/>Dimensions: dia. 1.85 cm, thk. 0.6 cm.</p>                                    |
| <p>20. Oblutak, T. 3. 20, sl. 20<br/>Inv. br. AMS-72068<br/>Materijal / opis: stakleni oblutak, bijele boje, neproziran, plankonveksan.<br/>Dimenzije: pr. 1,75 cm, deb. 0,66 cm.</p>                                   | <p>20. Counter, P. 3. 20, fig. 20<br/>Inv. no. AMS-72068<br/>Material/description: glass counter, white, opaque, plano-convex.<br/>Dimensions: dia. 1.75 cm, thk. 0.66 cm.</p>                                   |
| <p>21. Oblutak, T. 3. 21, sl. 21<br/>Inv. br. AMS-72069<br/>Materijal / opis: stakleni oblutak, bijele boje, neproziran, plankonveksan.<br/>Dimenzije: pr. 1,35 cm, deb. 0,64 cm.</p>                                   | <p>21. Counter, P. 3. 21, fig. 21<br/>Inv. no. AMS-72069<br/>Material/description: glass counter, white, opaque, plano-convex.<br/>Dimensions: dia. 1.35 cm, thk. 0.64 cm.</p>                                   |
| <p>22. Oblutak, T. 3. 22, sl. 22<br/>Inv. br. AMS-72070<br/>Materijal / opis: stakleni oblutak, bijele boje, neproziran, plankonveksan; nedostaje manji dio.<br/>Dimenzije: pr. 1,9 cm, deb. 0,6 cm.</p>                | <p>22. Counter, P. 3. 22, fig. 22<br/>Inv. no. AMS-72070<br/>Material/description: glass counter, white, opaque, plano-convex; smaller part missing.<br/>Dimensions: dia. 1.9 cm, thk. 0.6 cm.</p>               |
| <p>23. Oblutak, T. 3. 23, sl. 23<br/>Inv. br. AMS-72071<br/>Materijal / opis: stakleni oblutak, tamnosive boje, neproziran, plankonveksan.<br/>Dimenzije: pr. 1,85 cm, deb. 0,7 cm.</p>                                 | <p>23. Counter, P. 3. 23, fig. 23<br/>Inv. no. AMS-72071<br/>Material/description: glass counter, dark grey, opaque, plano-convex.<br/>Dimensions: dia. 1.85 cm, thk. 0.7 cm.</p>                                |

24. Oblutak, T. 3. 24, sl. 24  
Inv. br. AMS-72072  
Materijal / opis: stakleni oblutak, tamnosive boje, sa zelenim i svijetlim mrljicama, neproziran, plankonveksan.  
Dimenzije: pr. 1,6 cm, deb. 0,7 cm.
24. Counter, P. 3. 24, sl. 24  
Inv. no. AMS-72072  
Material/description: glass counter, dark grey, with green and light spots, opaque, plano-convex.  
Dimensions: dia. 1.6 cm, thk. 0.7 cm.
25. Oblutak, T. 3. 25, sl. 25  
Inv. br. AMS-72073  
Materijal / opis: stakleni oblutak, od mozaičkog stakla modre i bijele boje, poluproziran (djelomično propušta svjetlo), plankonveksan.  
Dimenzije: pr. 2,15 cm, deb. 0,7 cm.
25. Counter, P. 3. 25, fig. 25  
Inv. no. AMS-72073  
Material/description: glass counter, made of azure and white mosaic glass, semi-transparent (partially transparent), plano-convex.  
Dimensions: dia. 2.15 cm, thk. 0.7 cm.
26. Oblutak, T. 3. 26, sl. 26  
Inv. br. AMS-72074  
Materijal / opis: stakleni oblutak, crne boje, neproziran, plankonveksan.  
Dimenzije: pr. 1,72 cm, deb. 0,7 cm.
26. Counter, P. 3. 26, fig. 26  
Inv. no. AMS-72074  
Material/description: glass counter, black, opaque, plano-convex.  
Dimensions: dia. 1.72 cm, thk. 0.7 cm.
27. Oblutak, T. 3. 27, sl. 27  
Inv. br. AMS-72075  
Materijal / opis: stakleni oblutak, bijele boje, neproziran, plankonveksan.  
Dimenzije: pr. 1,72 cm, deb. 0,6 cm.
27. Counter, P. 3. 27, fig. 27  
Inv. no. AMS-72075  
Material/description: glass counter, white, opaque, plano-convex.  
Dimensions: dia. 1.72 cm, thk. 0.6 cm.
28. Oblutak, T. 3. 28, sl. 28  
Inv. br. AMS-72076  
Materijal / opis: stakleni oblutak, bijele boje, neproziran, plankonveksan.  
Dimenzije: pr. 1,4 cm, deb. 0,6 cm.
28. Counter, P. 3. 28, fig. 28  
Inv. no. AMS-72076  
Material/description: glass counter, white, opaque, plano-convex.  
Dimensions: dia. 1.4 cm, thk. 0.6 cm.
29. Oblutak, T. 3. 29, sl. 29  
Inv. br. AMS- 72077  
Materijal / opis: stakleni oblutak, bijele boje, neproziran, plankonveksan.  
Dimenzije: pr. 1,45 cm, deb. 0,62 cm.
29. Counter, P. 3. 29, fig. 29  
Inv. no. AMS- 72077  
Material/description: glass counter, white, opaque, plano-convex.  
Dimensions: dia. 1.45 cm, thk. 0.62 cm.
30. Oblutak, T. 3. 30, sl. 30  
Inv. br. AMS-72078  
Materijal / opis: stakleni oblutak, tamnozeleno boje, sa svijetlim mrljicama, neproziran, plankonveksan.  
Dimenzije: pr. 1,8 cm, deb. 0,6 cm.
30. Counter, P. 3. 30, fig. 30  
Inv. no. AMS-72078  
Material/description: glass counter, dark green, with light spots, opaque, plano-convex.  
Dimensions: dia. 1.8 cm, thk. 0.6 cm.
31. Oblutak, T. 3. 31, sl. 31  
Inv. br. AMS-72079  
Materijal / opis: stakleni oblutak, modre boje, s bijelim mrljicama, proziran, plankonveksan.  
Dimenzije: pr. 1,5 cm, deb. 0,7 cm.
31. Counter, P. 3. 31, fig. 31  
Inv. no. AMS-72079  
Material/description: glass counter, azure, with white spots, transparent, plano-convex.  
Dimensions: dia. 1.5 cm, thk. 0.7 cm.
32. Oblutak, T. 3. 32, sl. 32  
Inv. br. AMS-72080  
Materijal / opis: stakleni oblutak, tamnosive boje, sa svijetlim mrljicama i zelenom irizacijom, neproziran, plankonveksan.  
Dimenzije: pr. 1,85 cm, deb. 0,7 cm.
32. Counter, P. 3. 32, fig. 32  
Inv. no. AMS-72080  
Material/description: glass counter, dark grey, with light spots and green irisation, opaque, plano-convex.  
Dimensions: dia. 1.85 cm, thk. 0.7 cm.



33. Oblutak, T. 3. 33, sl. 33  
Inv. br. AMS-72081  
Materijal / opis: stakleni oblutak, crne boje, neproziran, plankonveksan.  
Dimenzije: pr. 1,6 cm, deb. 0,7 cm.
34. Oblutak, T. 3. 34, sl. 34  
Inv. br. AMS-72082  
Materijal / opis: stakleni oblutak, tamnosive boje, sa svijetlim naslagama, neproziran, plankonveksan.  
Dimenzije: pr. 1,6 cm, deb. 0,7 cm.
35. Oblutak, T. 3. 35, sl. 35  
Inv. br. AMS-72083  
Materijal / opis: stakleni oblutak, tamnosive boje, sa svijetlim naslagama s donje strane, neproziran, plankonveksan.  
Dimenzije: pr. 1,42 cm, deb. 0,63 cm.
36. Oblutak, T. 3. 36, sl. 36  
Inv. br. AMS-72084  
Materijal / opis: oblutak od mozaičnog stakla, od prozirnog stakla zelenkaste nijanse poluprozirnog modrog i neprozirnog žutog i bijelog stakla, plankonveksan.  
Dimenzije: pr. 1,4 cm, deb. 0,64 cm.
37. Oblutak, T. 3. 37, sl. 37  
Inv. br. AMS-72085  
Materijal / opis: stakleni oblutak, modrozeline boje, s tvrdokornim bijelim naslagama, neproziran, plankonveksan.  
Dimenzije: pr. 1,5 cm, deb. 0,62 cm.
38. Oblutak, T. 3. 38, sl. 38  
Inv. br. AMS-72086  
Materijal / opis: stakleni oblutak, bijele boje, neproziran, plankonveksan.  
Dimenzije: pr. 1,6 cm, deb. 0,64 cm.
39. Oblutak, T. 3. 39, sl. 39  
Inv. br. AMS-72087  
Materijal / opis: stakleni oblutak, bijele boje, neproziran, plankonveksan.  
Dimenzije: pr. 1,35 cm, deb. 0,6 cm.
40. Oblutak, T. 3. 40, sl. 40  
Inv. br. AMS-72088  
Materijal / opis: stakleni oblutak, tamnosive boje, sa svijetlim naslagama, neproziran, plankonveksan.  
Dimenzije: pr. 1,27 cm, deb. 0,6 cm.
41. Oblutak, T. 3. 41, sl. 41  
Inv. br. AMS-72089  
Materijal / opis: stakleni oblutak, tamnosive boje, sa svijetlim mrljicama, neproziran, plankonveksan.  
Dimenzije: pr. 1,5 cm, deb. 0,67 cm.
33. Counter, P. 3. 33, fig. 33  
Inv. no. AMS-72081  
Material/description: glass counter, black, opaque, plano-convex.  
Dimensions: dia. 1.6 cm, thk. 0.7 cm.
34. Counter, P. 3. 34, fig. 34  
Inv. no. AMS-72082  
Material/description: glass counter, dark grey, with light deposits, opaque, plano-convex.  
Dimensions: dia. 1.6 cm, thk. 0.7 cm.
35. Counter, P. 3. 35, fig. 35  
Inv. no. AMS-72083  
Material/description: glass counter, dark grey, with light deposits on lower side, opaque, plano-convex.  
Dimensions: dia. 1.42 cm, thk. 0.63 cm.
36. Counter, P. 3. 36, fig. 36  
Inv. no. AMS-72084  
Material/description: counter made of mosaic glass, transparent glass with greenish nuances and semi-transparent azure and opaque yellow and white glass, plano-convex.  
Dimensions: dia. 1.4 cm, thk. 0.64 cm.
37. Counter, P. 3. 37, fig. 37  
Inv. no. AMS-72085  
Material/description: glass counter, azure-green, with hard white deposits, opaque, plano-convex.  
Dimensions: dia. 1.5 cm, thk. 0.62 cm.
38. Counter, P. 3. 38, fig. 38  
Inv. no. AMS-72086  
Material/description: glass counter, white, opaque, plano-convex.  
Dimensions: dia. 1.6 cm, thk. 0.64 cm.
39. Counter, P. 3. 39, fig. 39  
Inv. no. AMS-72087  
Material/description: glass counter, white, opaque, plano-convex.  
Dimensions: dia. 1.35 cm, thk. 0.6 cm.
40. Counter, P. 3. 40, fig. 40  
Inv. no. AMS-72088  
Material/description: glass counter, dark grey, with white deposits, opaque, plano-convex.  
Dimensions: dia. 1.27 cm, thk. 0.6 cm.
41. Counter, P. 3. 41, fig. 41  
Inv. no. AMS-72089  
Material/description: glass counter, dark grey, with light spots, opaque, plano-convex.  
Dimensions: dia. 1.5 cm, thk. 0.67 cm.

42. Oblutak, T. 3. 42, sl. 42  
Inv. br. AMS-72090  
Materijal / opis: stakleni oblutak, tamnosive boje, sa svijetlim mrljicama, neproziran, plankonveksan.  
Dimenzije: pr. 1,46 cm, deb. 0,67 cm.
42. Counter, P. 3. 42, fig. 42  
Inv. no. AMS-72090  
Material/description: glass counter, dark grey, with light spots, opaque, plano-convex.  
Dimensions: dia. 1.46 cm, thk. 0.67 cm.
43. Oblutak, T. 3. 43, sl. 43  
Inv. br. AMS-72091  
Materijal / opis: stakleni oblutak, zelene boje, sa svijetlim naslagama, neproziran, plankonveksan.  
Dimenzije: pr. 1,27 cm, deb. 0,56 cm.
43. Counter, P. 3. 43, fig. 43  
Inv. no. AMS-72091  
Material/description: glass counter, green, with light deposits, opaque, plano-convex.  
Dimensions: dia. 1.27 cm, thk. 0.56 cm.
44. Oblutak, T. 3. 44, sl. 44  
Inv. br. AMS-72092  
Materijal / opis: stakleni oblutak, crne boje, neproziran, plankonveksan.  
Dimenzije: pr. 1,22 cm, deb. 0,52 cm.
44. Counter, P. 3. 44, fig. 44  
Inv. no. AMS-72092  
Material/description: glass counter, black, opaque, plano-convex.  
Dimensions: dia. 1.22 cm, thk. 0.52 cm.
45. Oblutak, T. 3. 45, sl. 45  
Inv. br. AMS-72093  
Materijal / opis: stakleni oblutak, bijele boje, neproziran, plankonveksan.  
Dimenzije: pr. 1,12 cm, deb. 0,58 cm.
45. Counter, P. 3. 45, fig. 45  
Inv. no. AMS-72093  
Material/description: glass counter, white, opaque, plano-convex.  
Dimensions: dia. 1.12 cm, thk. 0.58 cm.
46. Oblutak, T. 3. 46, sl. 46  
Inv. br. AMS-72094  
Materijal / opis: stakleni oblutak, sive boje, sa bijelim naslagama, neproziran, plankonveksan.  
Dimenzije: pr. 1,5 cm, deb. 0,62 cm.
46. Counter, P. 3. 46, fig. 46  
Inv. no. AMS-72094  
Material/description: glass counter, grey, with white deposits, opaque, plano-convex.  
Dimensions: dia. 1.5 cm, thk. 0.62 cm.
47. Oblutak, T. 3. 47, sl. 47  
Inv. br. AMS-72095  
Materijal / opis: stakleni oblutak, tamnosive boje, sa svjetlijim naslagama, neproziran, plankonveksan.  
Dimenzije: pr. 1,6 cm, deb. 0,7 cm.
47. Counter, P. 3. 47, fig. 47  
Inv. no. AMS-72095  
Material/description: glass counter, dark grey, with light deposits, opaque, plano-convex.  
Dimensions: dia. 1.6 cm, thk. 0.7 cm.
48. Oblutak, T. 3. 48, sl. 48  
Inv. br. AMS-72096  
Materijal / opis: stakleni oblutak, tamnosive boje, sa svjetlijim naslagama, neproziran, plankonveksan.  
Dimenzije: pr. 1,43 cm, deb. 0,65 cm.
48. Counter, P. 3. 48, fig. 48  
Inv. no. AMS-72096  
Material/description: glass counter, dark grey, with light deposits, opaque, plano-convex.  
Dimensions: dia. 1.43 cm, thk. 0.65 cm.
49. Oblutak, T. 3. 49, sl. 49  
Inv. br. AMS-72097  
Materijal / opis: stakleni oblutak, tamnosive boje, sa svijetlim mrljicama, neproziran, plankonveksan.  
Dimenzije: pr. 1,43 cm, deb. 0,65 cm.
49. Counter, P. 3. 49, fig. 49  
Inv. no. AMS-72097  
Material/description: glass counter, dark grey, with light spots, opaque, plano-convex.  
Dimensions: dia. 1.43 cm, thk. 0.65 cm.
50. Oblutak, T. 3. 50, sl. 50  
Inv. br. AMS-72098  
Materijal / opis: stakleni oblutak, tamnosive boje, sa svijetlim naslagama, neproziran, plankonveksan.  
Dimenzije: pr. 1,37 cm, deb. 0,63 cm.
50. Counter, P. 3. 50, fig. 50  
Inv. no. AMS-72098  
Material/description: glass counter, dark grey, with light deposits, opaque, plano-convex.  
Dimensions: dia. 1.37 cm, thk. 0.63 cm.

51. Oblutak, T. 3. 51, sl. 51  
Inv. br. AMS-72099  
Materijal / opis: stakleni oblutak, bijele boje, neproziran, plankonveksan.  
Dimenzije: pr. 1,08 cm, deb. 0,57 cm.
51. Counter, P. 3. 51, fig. 51  
Inv. no. AMS-72099  
Material/description: glass counter, white, opaque, plano-convex.  
Dimensions: dia. 1.08 cm, thk. 0.57 cm.
52. Oblutak, T. 3. 52, sl. 52  
Inv. br. AMS-72100  
Materijal / opis: stakleni oblutak, sive boje, s bijelim naslagama, neproziran, plankonveksan.  
Dimenzije: pr. 1,3 cm, deb. 0,6 cm.
52. Counter, P. 3. 52, fig. 52  
Inv. no. AMS-72100  
Material/description: glass counter, grey, with white deposits, opaque, plano-convex.  
Dimensions: dia. 1.3 cm, thk. 0.6 cm.
53. Oblutak, T. 3. 53, sl. 53  
Inv. br. AMS-72101  
Materijal / opis: stakleni oblutak, sive boje, s bijelim naslagama, neproziran, plankonveksan.  
Dimenzije: pr. 1,32 cm, deb. 0,6 cm.
53. Counter, P. 3. 53, fig. 53  
Inv. no. AMS-72101  
Material/description: glass counter, grey, with white deposits, opaque, plano-convex.  
Dimensions: dia. 1.32 cm, thk. 0.6 cm.
54. Oblutak, T. 3. 54, sl. 54  
Inv. br. AMS-72102  
Materijal / opis: stakleni oblutak, sive boje, s bijelim naslagama, neproziran, plankonveksan.  
Dimenzije: pr. 1,5 cm, deb. 0,7 cm.
54. Counter, P. 3. 54, fig. 54  
Inv. no. AMS-72102  
Material/description: glass counter, grey, with white deposits, opaque, plano-convex.  
Dimensions: dia. 1.5 cm, thk. 0.7 cm.
55. Oblutak, T. 3. 55, sl. 55  
Inv. br. AMS-72103  
Materijal / opis: stakleni oblutak, sive boje, s bijelim naslagama, neproziran, plankonveksan.  
Dimenzije: pr. 1,24 cm, deb. 0,62 cm.
55. Counter, P. 3. 55, fig. 55  
Inv. no. AMS-72103  
Material/description: glass counter, grey, with white deposits, opaque, plano-convex.  
Dimensions: dia. 1.24 cm, thk. 0.62 cm.
56. Oblutak, T. 3. 56, sl. 56  
Inv. br. AMS-72104  
Materijal / opis: stakleni oblutak, bijele boje, neproziran, plankonveksan.  
Dimenzije: pr. 1,34 cm, deb. 0,58 cm.
56. Counter, P. 3. 56, fig. 56  
Inv. no. AMS-72104  
Material/description: glass counter, white, opaque, plano-convex.  
Dimensions: dia. 1.34 cm, thk. 0.58 cm.
57. Oblutak, T. 3. 57, sl. 57  
Inv. br. AMS-72105  
Materijal / opis: stakleni oblutak, tamnosive boje, zelenoljubičasta irizacija, neproziran, plankonveksan.  
Dimenzije: pr. 1,5 cm, deb. 0,65 cm.
57. Counter, P. 3. 57, fig. 57  
Inv. no. AMS-72105  
Material/description: glass counter, dark grey, green-purple irisation, opaque, plano-convex.  
Dimensions: dia. 1.5 cm, thk. 0.65 cm.
58. Oblutak, T. 3. 58, sl. 58  
Inv. br. AMS-72106  
Materijal / opis: stakleni oblutak, tamnosive boje, sa svijetlim mrljicama, neproziran, plankonveksan.  
Dimenzije: pr. 1,25 cm, deb. 0,62 cm.
58. Counter, P. 3. 58, fig. 58  
Inv. no. AMS-72106  
Material/description: glass counter, dark grey, with light spots, opaque, plano-convex.  
Dimensions: dia. 1.25 cm, thk. 0.62 cm.
59. Oblutak, T. 3. 59, sl. 59  
Inv. br. AMS-72107  
Materijal / opis: stakleni oblutak, bijele boje, neproziran, plankonveksan.  
Dimenzije: pr. 1,27 cm, deb. 0,63 cm.
59. Counter, P. 3. 59, fig. 59  
Inv. no. AMS-72107  
Material/description: glass counter, white, opaque, plano-convex.  
Dimensions: dia. 1.27 cm, thk. 0.63 cm.

60. Oblutak, T. 3. 60, sl. 60  
Inv. br. AMS-72108  
Materijal / opis: stakleni oblutak, bijele boje, s tamnim mrljicama, neproziran, plankonveksan.  
Dimenzije: pr. 1,1 cm, deb. 0,6 cm.
60. Counter, P. 3. 60, fig. 60  
Inv. no. AMS-72108  
Material/description: glass counter, white, with dark spots, opaque, plano-convex.  
Dimensions: dia. 1.1 cm, thk. 0.6 cm.
61. Oblutak, T. 3. 61, sl. 61  
Inv. br. AMS-72109  
Materijal / opis: stakleni oblutak, u presijeku zelen sa žutom irizacijom i tamnim mrljicama, s tamnim i svijetlim naslagama, neproziran, plankonveksan; iz dva dijela.  
Dimenzije: pr. 1,74 cm, deb. 0,64 cm.
61. Counter, P. 3. 61, fig. 61  
Inv. no. AMS-72109  
Material/description: glass counter, green with yellow irisation and dark spots in cross-section, with dark and light deposits, opaque, plano-convex; assembled from two pieces.  
Dimensions: dia. 1.74 cm, thk. 0.64 cm.
62. Oblutak, T. 3. 62, sl. 62  
Inv. br. AMS-72110  
Materijal / opis: stakleni oblutak, od neprozirnoga crvenog stakla, plankonveksan.  
Dimenzije: pr. 0,92 cm, deb. 0,52 cm.
62. Counter, P. 3. 62, fig. 62  
Inv. no. AMS-72110  
Material/description: glass counter, made of opaque red glass, plano-convex.  
Dimensions: dia. 0.92 cm, thk. 0.52 cm.
63. Oblutak, T. 3. 63, sl. 63  
Inv. br. AMS-72111  
Materijal / opis: stakleni oblutak, tamnosive boje, sa svijetlim mrljicama, neproziran, plankonveksan.  
Dimenzije: pr. 1,42 cm, deb. 0,67 cm.
63. Counter, P. 3. 63, fig. 63  
Inv. no. AMS-72111  
Material/description: glass counter, dark grey, with light spots, opaque, plano-convex.  
Dimensions: dia. 1.42 cm, thk. 0.67 cm.
64. Kocka, T. 4. 64, sl. 64  
Inv. br. AMS-72324  
Materijal / opis: koštana šesterostrana kocka s urezanim kružnicama s točkom u središtu kao oznakama za brojeve od 1 do 6; uz broj 5 je urezan i natpis?  
Dimenzije: duž. stranice 1,37-1,38 cm.
64. Die, P. 4. 64, fig. 64  
Inv. no. AMS-72324  
Material/description: bone hexahedral die with engraved circlets with dots in middle as designations for numbers one through six; inscription engraved next to number five?  
Dimensions: lng. of sides 1.37-1.38 cm.
65. Kocka, T. 4. 65, sl. 65  
Inv. br. AMS-72325  
Materijal / opis: koštana šesterostrana kocka s urezanim kružnicama s točkom u središtu, kao oznakama za brojeve od 1 do 6.  
Dimenzije: duž. stranice 1,37-1,41 cm.
65. Die, P. 4. 65, fig. 65  
Inv. no. AMS-72325  
Material/description: bone hexahedral die with engraved circlets with dots in middle as designations for numbers one through six.  
Dimensions: lng. of sides 1.37-1.41 cm.
66. Perla, T. 4. 66, sl. 66  
Inv. br. AMS-72330  
Materijal / opis: izlizani ulomak perle od poluprozirnog tamnomodrog stakla s nanesenim mrljicama od neprozirnog žutog i bijelog stakla.  
Dimenzije: 1,2 x 0,7 x 0,9 cm.
66. Bead, P. 4. 66, fig. 66  
Inv. no. AMS-72330  
Material/description: worn fragment of bead made of semi-transparent dark blue glass with applied spots made of opaque yellow and white glass.  
Dimensions: 1.2 x 0.7 x 0.9 cm.
67. Perla, T. 4. 67, sl. 67  
Inv. br. AMS-72331  
Materijal / opis: izlizani ulomak perle od poluprozirnog tamnomodrog stakla s nanesenim mrljicama od neprozirnog žutog i bijelog stakla.  
Dimenzije: 1,95 x 0,75 x 1 cm.
67. Bead, P. 4. 67, fig. 67  
Inv. no. AMS-72331  
Material/description: worn fragment of bead made of semi-transparent dark blue glass with applied spots made of opaque yellow and white glass.  
Dimensions: 1.95 x 0.75 x 1 cm.

68. Ukosnica, T. 4. 68, sl. 68  
Inv. br. AMS-72323  
Materijal / opis: koštana igla kružnog presjeka s ukrasnim vrhom, odnosno glavom u obliku desne ruke što drži kuglasti predmet prstima s horizontalnim urezima naznačenim člancima; oko ruke do kuglastog predmeta preko podlanice omotana je zmija urešena horizontalnim i dijagonalnim urezima; nedostaje donji dio.  
Dimenzije: sač. duž. 6,87 cm, pr. 0,7 cm, ruka: šir. 1,2 cm, deb. 0,8 cm.
68. Hairpin, P. 4. 68, fig. 68  
Inv. no. AMS-72323  
Material/description: bone pin with circular cross-section and decorative head, i.e., head shaped like right hand gripping spherical object with fingers - horizontal incisions indicating its digits, serpent wrapped around hand over wrist up to spherical object, decorated with horizontal and diagonal incisions; lower portion missing.  
Dimensions: preserved lng. 6.87 cm, dia. 0.7 cm, hand: wid. 1.2 cm, thk. 0.8 cm.
69. Ukosnica, T. 4. 69, sl. 69  
Inv. br. AMS-72322  
Materijal / opis: koštana igla kružnog presjeka s glatkom bikoničnom glavom kojoj nedostaje vrh, na tijelu su, ispod glave, na tzv. Ovratniku, dva horizontalna ureza; nedostaje veći dio igle.  
Dimenzije: sač. duž. 10,3 cm, pr. 0,4-0,53 cm.
69. Hairpin, P. 4. 69, fig. 69  
Inv. no. AMS-72322  
Material/description: bone pin with round cross-section and smooth biconical head that is missing tip; two horizontal incisions on body, below head, at so-called collar; most of pin missing.  
Dimensions: preserved lng. 10.3 cm, dia. 0.4-0.53 cm.
70. Šivaća igla, T. 4. 70, sl. 70  
Inv. br. AMS-72316  
Materijal / opis: željezna igla s izduženom ušicom, zaravnjenog vrha; slomljena, korodirana.  
Dimenzije: sač. duž. 13,9 cm.
70. Sewing needle, P. 4. 70, fig. 70  
Inv. no. AMS-72316  
Material/description: iron needle with elongated eye-hole, flattened tip; broken, corroded.  
Dimensions: preserved lng. 13.9 cm.
71. Špatula, T. 4. 71, sl. 71  
Inv. br. AMS-72321  
Materijal / opis: koštana špatula na jednome kraju koso zaoštrena, s uzdužnim urezom po sredini žlice na drugom kraju; nedostaje veći dio žlice.  
Dimenzije: sač. duž. 11,5 cm, pr. 0,33 cm.
71. Spatula, P. 4. 71, fig. 71  
Inv. no. AMS-72321  
Material/description: bone spatula sharpened at angle on one end, with lengthwise incision down middle of blade on other end; most of blade missing.  
Dimensions: preserved lng. 11.5 cm, dia. 0.33 cm.
72. Špatula, T. 4. 72, sl. 72  
Inv. br. AMS-72320  
Materijal / opis: koštana špatula s uzdužnim urezom po sredini žlice na drugom kraju; nedostaje veći dio žlice kao i drugi kraj špatule.  
Dimenzije: sač. duž. 11,6 cm, pr. 0,47 cm.
72. Spatula, P. 4. 72, fig. 72  
Inv. no. AMS-72320  
Material/description: bone spatula with lengthwise incision down middle of blade on other end; missing most of blade and other end of spatula.  
Dimensions: preserved lng. 11.6 cm, dia. 0.47 cm.
73. Sonda, T. 4. 73, sl. 73  
Inv. br. AMS-72319  
Materijal / opis: srebrna sonda s ravnom žličicom zakrenutom prema dršci; do ispupčenog kvadra drška je okruglog presjeka, a od kvadra, urešenog urezanim križevima, do žlice četvrtastog je presjeka i urešena rubnim urezima; nedostaje kraj drške sa zaoštrenim vrhom.  
Dimenzije: sač. duž. 9,3 cm, pr. 0,18 cm, deb. kvadra 0,2 cm, deb. drške 0,14 cm, šir. žlice 0,47 cm.
73. Curette, P. 4. 73, fig. 73  
Inv. no. AMS-72319  
Material/description: silver curette with flat scoop turned toward handle, handle has round cross-section up to protruding square; from square decorated with engraved crosses to scoop, cross-section is rectangular with edge incisions; end of handle with sharpened tip missing.  
Dimensions: preserved lng. 9.3 cm, dia. 0.18 cm, thk. of square 0.2 cm, thk. of handle 0.14 cm, wid. of scoop 0.47 cm.
74. Češalj, T. 4. 74, sl. 74  
Inv. br. AMS-72326  
Materijal / opis: jednodijelni pravokutni koštani dvostrani češalj s gustim zupcima te glatkim hrptom i zaobljenim krajevima.  
Dimenzije: šir. 5,15 cm, deb. 0,73 cm.
74. Comb, P. 4. 74, fig. 74  
Inv. no. AMS-72326  
Material/description: single-piece rectangular bone double-sided comb with thick teeth, and smooth ridge and rounded ends.  
Dimensions: wid. 5.15 cm, thk. 0.73 cm.

75. Prsten, T. 4. 75, sl. 75  
 Inv. br. AMS-72328  
 Materijal / opis: zlatni prsten, puni obruč kružnog presjeka širi se u zaravnjenu ovalnu zaglavnu pločicu na kojoj je urezan motiv otvorene šake.  
 Dimenzije: vanjski pr. 1,4 x 1,55 cm, unutarnji pr. 1,18 x 1,25 cm, deb. glave 0,1 cm.

76. Školjka, T. 5. 76, sl. 76  
 Inv. br. AMS-72327  
 Materijal / opis: polovica školjke, Jakovljeve kapice.  
 Dimenzije: duž. 7,5 cm, šir. 8,3 cm.

#### Nalazi izvan urne<sup>90</sup>

77. Novac, T. 5. 77, sl. 77  
 Inv. br. AMS-72318  
 Materijal / opis: od uporabe izlisan brončani novac, as, Tiberije 14.-37. g.  
 Avers:  
 TI CAESAR DIVI AVG F AVGVST IMP VIII  
 Tiberijeva glava s lovorovim vijencem lijevo  
 Revers:  
 [PONTIF] MAXIM TR PO[T] XXXVII; S - C  
 Kormilo okomito postavljeno na kuglu s vrpcom; na dnu kormila mala kugla  
 Dimenzije: pr. 2,87 cm, težina 10,44 g, položaj kalupa 6.  
 Kovnica: Roma, kovan 35.-36. g.

78. Oliformni balzamarij, T. 5. 78, sl. 78  
 Inv. br. AMS-72304  
 Materijal / opis: oliformni balzamarij od prozirnog, slobodno puhanog stakla tamnomodre boje, blagog konkavnog dna, ovoidnog tijela, kratkog vrata, ljevasto izvučenog oboda zaobljenog ruba.  
 Dimenzije: vis. 7,9 cm, šir. 8 cm, pr. oboda 6,7 cm.

79. Oliformni balzamarij, T. 5. 79, sl. 79  
 Inv. br. AMS-72305  
 Materijal / opis: oliformni balzamarij od prozirnog, slobodno puhanog stakla zelenkaste nijanse, blagog konkavnog dna, ovoidnog tijela, kratkog vrata; obod horizontalno izvučen, svijen prema unutra.  
 Dimenzije: vis. 8,1 cm, šir. 8,3 cm, pr. oboda 6,7 cm.

80. Balzamarij sferoidalnog tijela, T. 5. 80, sl. 80  
 Inv. br. AMS-72142  
 Materijal / opis: balzamarij od prozirnog, slobodno puhanog stakla modričaste nijanse, zaravnjenog dna, sferoidalnog tijela, sa suženjem s tragovima obrade na prijelazu u dugi

75. Ring, P. 4. 75, fig. 75  
 Inv. no. AMS-72328  
 Material/description: gold ring, full band with circular cross-section expands into oval bezel plate on which an open fist motif is engraved.  
 Dimensions: outside dia. 1.4 x 1.55 cm, inside dia. 1.18 x 1.25 cm, thk. of crown 0.1 cm.

76. Seashell, P. 5. 76, fig. 76  
 Inv. no. AMS-72327  
 Material/description: half of scallop shell.  
 Dimensions: lng. 7.5 cm, wid. 8.3 cm.

#### Finds outside of urn<sup>90</sup>

77. Coin, P. 5. 77, fig. 77  
 Inv. no. AMS-72318  
 Material/description: bronze coin heavily worn by use, As, Tiberius 14-37 AD.  
 Obverse:  
 TI CAESAR DIVI AVG F AVGVST IMP VIII  
 Head of Tiberius with laurel wreath turned left  
 Reverse:  
 [PONTIF] MAXIM TR PO[T] XXXVII; S - C  
 Helm vertically set on globe with garland; small globe at base of helm  
 Dimensions: dia. 2.87 cm, weight 10.44 g, die axis 6  
 Mint: Rome, minted 35-36 AD.

78. Olla-form balsamarium, P. 5. 78, fig. 88  
 Inv. no. AMS-72304  
 Material/description: olla-form balsamarium made of transparent, free-blown dark azure glass, slightly concave base, ovoid body, short neck, rim with rounded edge outwardly drawn as spouted rim.  
 Dimensions: ht. 7.9 cm, wid. 8 cm, rim dia. 6.7 cm.

79. Olla-form balsamarium, P. 5. 79, fig. 79  
 Inv. no. AMS-72305  
 Material/description: olla-form balsamarium made of transparent, free-blown glass with greenish tones, slightly concave base, ovoid body, short neck, horizontally inwardly curved rim.  
 Dimensions: ht. 8.1 cm, wid. 8.3 cm, rim dia. 6.7 cm.

80. Balsamarium with spheroid body, P. 5. 80, fig. 80  
 Inv. no. AMS-72142  
 Material/description: balsamarium made of transparent, free-blown glass with azure tones, flat base, spheroid body, with narrowing and traces of working at transition to long neck,

90 Ovdje su katalogizirani i oni nalazi za koje ne možemo sigurno odrediti jesu li bili u urni.

90 Also catalogued here are those finds for which it is uncertain as to whether or not they were in the urn.

vrat te ljevkastim obodom uglačana ruba.  
Dimenzije: vis. 6,7 cm, pr. tijela 3,45 cm, pr. oboda 2,1 cm.

spouted rim with polished edge.  
Dimensions: ht. 6.7 cm, body dia. 3.45 cm, rim dia. 2.1 cm.

81. Cjevasti balzamarij, T. 5. 81, sl. 81  
Inv. br. AMS-72135  
Materijal / opis: cjevasti balzamarij od prozirnog, slobodno puhanog stakla modričaste nijanse, zaravnjenog dna na kojem može stajati, tijela dužeg od vrata; prijelaz iz tijela u vrat je sužen; obod je ljevkast, uglačana ruba.  
Dimenzije: vis. 9,55 cm, pr. oboda 2,36 cm.
81. Tubular balsamarium, P. 5. 81, fig. 81  
Inv. no. AMS-72135  
Material/description: tubular balsamarium made of transparent, free-blown glass with azure tones, flat base on which it can stand, body longer than neck, transition from body to neck narrowed, and spouted rim with polished edge.  
Dimensions: ht. 9.55 cm, rim dia. 2.36 cm.
82. Cjevasti balzamarij, T. 5. 82, sl. 82  
Inv. br. AMS- 72137  
Materijal / opis: cjevasti balzamarij od prozirnog, slobodno puhanog stakla modričaste nijanse, zaravnjenog dna na kojem može stajati, tijela dužeg od vrata; prijelaz iz tijela u vrat je sužen; obod je ljevkast, uglačana ruba; spaja se od nekoliko ulomaka, nedostaje dno vrata i oboda, stijenka je raspucala.  
Dimenzije: vis. 5,7 cm.
82. Tubular balsamarium, P. 5. 82, fig. 82  
Inv. no. AMS- 72137  
Material/description: tubular balsamarium made of transparent, free-blown glass with azure tones, flat base on which it can stand, body longer than neck, transition from body to neck narrowed, and spouted rim with polished edge; assembled from several pieces, base of neck and rim missing, wall cracked.  
Dimensions: ht. 5.7 cm.
83. Cjevasti balzamarij, T. 5. 83, sl. 83  
Inv. br. AMS-72138  
Materijal / opis: cjevasti balzamarij od prozirnog, slobodno puhanog stakla modričaste nijanse, zaravnjenog dna na kojem može stajati; tijelo i vrat otprilike su jednake dužine, prijelaz iz tijela u vrat je sužen; obod je ljevkast, uglačana ruba.  
Dimenzije: vis. 8 cm, pr. oboda 2,1 cm.
83. Tubular balsamarium, P. 5. 83, fig. 83  
Inv. no. AMS-72138  
Material/description: tubular balsamarium made of transparent, free-blown glass with azure tones, flat base on which it can stand, body and neck roughly the same length, transition from body to neck narrowed, and spouted rim with polished edge.  
Dimensions: ht. 8 cm, rim dia. 2.1 cm.
84. Cjevasti balzamarij, T. 5. 84, sl. 84  
Inv. br. AMS-72139  
Materijal / opis: cjevasti balzamarij od prozirnog, slobodno puhanog stakla modričaste nijanse, zaravnjenog dna na kojem može stajati; tijelo i vrat otprilike su jednake dužine, prijelaz iz tijela u vrat je sužen; obod je ljevkast, uglačana ruba.  
Dimenzije: vis. 7,17 cm, pr. oboda 1,8 cm.
84. Tubular balsamarium, P. 5. 84, fig. 84  
Inv. no. AMS-72139  
Material/description: tubular balsamarium made of transparent, free-blown glass with azure tones, flat base on which it can stand, body and neck roughly the same length, transition from body to neck narrowed, and spouted rim with polished edge.  
Dimensions: ht. 7.17 cm, rim dia. 1.8 cm.
85. Cjevasti balzamarij, T. 6. 85, sl. 85  
Inv. br. AMS-72140  
Materijal / opis: cjevasti balzamarij od prozirnog, slobodno puhanog stakla modričaste nijanse, zaravnjenog dna na kojem može stajati; tijelo i vrat otprilike su jednake dužine, prijelaz iz tijela u vrat je sužen; obod je ljevkast, uglačana ruba.  
Dimenzije: vis. 8,5 cm, pr. oboda 2,2 cm.
85. Tubular balsamarium, P. 6. 85, fig. 85  
Inv. no. AMS-72140  
Material/description: tubular balsamarium made of transparent, free-blown glass with azure tones, flat base on which it can stand, body and neck roughly the same length, transition from body to neck narrowed, and spouted rim with polished edge.  
Dimensions: ht. 8.5 cm, rim dia. 2.2 cm.
86. Cjevasti balzamarij, T. 6. 86, sl. 86  
Inv. br. AMS-72141  
Materijal / opis: cjevasti balzamarij od prozirnog, slobodno puhanog stakla modričaste nijanse, zaravnjenog dna na kojem može stajati; tijelo i vrat otprilike su jednake dužine, prijelaz iz tijela u vrat je sužen, obod je ljevkast; stijenka je
86. Tubular balsamarium, P. 6. 86, fig. 86  
Inv. no. AMS-72141  
Material/description: tubular balsamarium made of transparent, free-blown glass with azure tones, flat base on which it can stand, body and neck roughly the same length, transition from body to neck narrowed, and spouted rim; wall

- raspucana, nedostaje dio vrata i gotovo cijeli obod.  
Dimenzije: sač. vis. 5,13 cm.
- cracked, part of neck and almost entire rim missing.  
Dimensions: preserved ht. 5.13 cm.
87. Cjevasti balzamarij, T. 6. 87, sl. 87  
Inv. br. AMS-72136  
Materijal / opis: cjevasti balzamarij od prozirnog, slobodno puhanog stakla modričaste nijanse, zaravnjenog dna na kojem može stajati, tijela dužeg od vrata, prijelaz iz tijela u vrat je sužen; obod je horizontalan, s rubom svijenim prema unutra.  
Dimenzije: sač. vis. 6,54 cm, pr. oboda 1,8 cm.
87. Tubular balsamarium, P. 6. 87, fig. 87  
Inv. no. AMS-72136  
Material/description: Tubular balsamarium made of transparent, free-blown glass with azure tones, flat base on which it can stand, body longer than neck, transition from body to neck narrowed, and horizontal rim with inwardly curved rim.  
Dimensions: preserved ht. 6.54 cm, rim dia. 1.8 cm.
88. Cjevasti balzamarij, T. 6. 88, sl. 88  
Inv. br. AMS-72143  
Materijal / opis: cjevasti balzamarij od prozirnog, slobodno puhanog stakla modričaste nijanse, zaravnjenog dna; tijelo i vrat vjerojatno su jednake dužine; nedostaje obod, balzamarij je raspucan i svijen pod utjecajem vatre.  
Dimenzije: sač. vis. 5,4 cm.
88. Tubular balsamarium, P. 6. 88, fig. 88  
Inv. no. AMS-72143  
Material/description: tubular balsamarium made of transparent, free-blown glass with azure tones, flat base, body and neck probably same length; rim missing, balsamarium cracked and bent by fire.  
Dimensions: preserved ht. 5.4 cm.
89. Cjevasti balzamarij, T. 6. 89, sl. 89  
Inv. br. AMS-72144  
Materijal / opis: cjevasti balzamarij od prozirnog, slobodno puhanog stakla modričaste nijanse, zaravnjenog dna na kojem može stajati, tijela dužeg od vrata ili jednake dužine tijela i vrata; prijelaz iz tijela u vrat je sužen; nedostaje dio vrata s obodom.  
Dimenzije: sač. vis. 7,9 cm.
89. Tubular balsamarium, P. 6. 89, fig. 89  
Inv. no. AMS-72144  
Material/description: tubular balsamarium made of transparent, free-blown glass with azure tones, flat base on which it can stand, body longer than neck or neck and body have same length, transition of body to neck narrowed; part of neck with rim missing.  
Dimensions: preserved ht. 7.9 cm.
90. Cjevasti balzamarij, T. 6. 90, sl. 90  
Inv. br. AMS-72145  
Materijal / opis: ulomak tijela cjevastog balzamarija od prozirnog, slobodno puhanog stakla modričaste nijanse, zaravnjenog dna na kojem može stajati; spaja se od tri ulomka, stijenka je raspucana.  
Dimenzije: sač. vis. 4,5 cm.
90. Tubular balsamarium, P. 6. 90, fig. 90  
Inv. no. AMS-72145  
Material/description: fragment of body of tubular balsamarium made of transparent, free-blown glass with azure tones, flat base on which it can stand; assembled from three pieces, wall is cracked.  
Dimensions: preserved ht. 4.5 cm.
91. Cjevasti balzamarij, T. 6. 91, sl. 91  
Inv. br. AMS-72146  
Materijal / opis: cjevasti balzamarij od prozirnog, slobodno puhanog stakla modričaste nijanse, koso zaravnjenog dna na kojem može stajati, tijela dužeg od vrata ili jednake dužine tijela i vrata; prijelaz iz tijela u vrat je sužen; nedostaje veći dio vrata s obodom.  
Dimenzije: sač. vis. 4,45 cm.
91. Tubular balsamarium, P. 6. 91, fig. 91  
Inv. no. AMS-72146  
Material/description: tubular balsamarium made of transparent, free-blown glass with azure tones, diagonally flat base on which it can stand, body longer than neck or neck and body have same length, transition from body to neck narrowed; most of neck with rim missing.  
Dimensions: preserved ht. 4.45 cm.
92. Cjevasti balzamarij, T. 6. 92, sl. 92  
Inv. br. AMS-72147  
Materijal / opis: cjevasti balzamarij od prozirnog, slobodno puhanog stakla zelenkaste nijanse, zaravnjenog dna na kojem stoji okomito na podlogu, vjerojatno jednake dužine tijela i vrata; prijelaz iz tijela u vrat je sužen; nedostaje dio tijela, kao i veći dio vrata s obodom.  
Dimenzije: sač. vis. 6,1 cm.
92. Tubular balsamarium, P. 6. 92, fig. 92  
Inv. no. AMS-72147  
Material/description: tubular balsamarium made of transparent free-blown glass with greenish tones, flat base on which it stands vertically on pedestal, body and neck probably same length, transition from body to neck narrowed; part of body and most of neck with rim missing.  
Dimensions: preserved ht. 6.1 cm.



93. Cjevasti balzamarij, T. 6. 93, sl. 93  
Inv. br. AMS-72148  
Materijal / opis: ulomak tijela cjevastog balzamarija od prozirnog, slobodno puhanog stakla modričaste nijanse, zaravnjenog dna na kojem može stajati; stijenka je raspucana.  
Dimenzije: sač. vis. 3,05 cm.
94. Cjevasti balzamarij, T. 6. 94, sl. 94  
Inv. br. AMS-72149  
Materijal / opis: ulomak tijela cjevastog balzamarija od prozirnog, slobodno puhanog stakla modričaste nijanse, zaravnjenog dna na kojem može stajati; stijenka je raspucana.  
Dimenzije: sač. vis. 3,7 cm.
95. Cjevasti balzamarij, T. 6. 95, sl. 95  
Inv. br. AMS-72150  
Materijal / opis: ulomak tijela cjevastog balzamarija od prozirnog, slobodno puhanog stakla modričaste nijanse, zaravnjenog dna na kojem može stajati; stijenka je raspucana.  
Dimenzije: sač. vis. 3,95 cm.
96. Cjevasti balzamarij, T. 6. 96, sl. 96  
Inv. br. AMS-72151  
Materijal / opis: ulomak tijela cjevastog balzamarija od prozirnog, slobodno puhanog stakla zelenkaste nijanse, zaravnjenog dna na kojem može stajati.  
Dimenzije: sač. vis. 2,37 cm.
97. Cjevasti balzamarij, T. 6. 97, sl. 97  
Inv. br. AMS-72152  
Materijal / opis: ulomak tijela cjevastog balzamarija od prozirnog, slobodno puhanog stakla modričaste nijanse, zaravnjenog dna na kojem može stajati; stijenka je svijena pod utjecajem vatre.  
Dimenzije: sač. vis. 3,5 cm.
98. Cjevasti balzamarij, T. 6. 98, sl. 98  
Inv. br. AMS-72153  
Materijal / opis: ulomak tijela cjevastog balzamarija od prozirnog, slobodno puhanog stakla modričaste nijanse, zaravnjenog dna na kojem može stajati.  
Dimenzije: sač. vis. 1,6 cm.
99. Cjevasti balzamarij, T. 6. 99, sl. 99  
Inv. br. AMS-72154  
Materijal / opis: ulomak tijela cjevastog balzamarija od prozirnog, slobodno puhanog stakla modričaste nijanse, zaravnjenog dna na kojem može stajati; stijenka je raspucana.  
Dimenzije: sač. vis. 1,7 cm.
100. Cjevasti balzamarij, T. 6. 100, sl. 100  
Inv. br. AMS-72156  
Materijal / opis: ulomak vrata cjevastog balzamarija s ljevkastim obodom uglačana ruba, od prozirnog, slobodno
93. Tubular balsamarium, P. 6. 93, fig. 93  
Inv. no. AMS-72148  
Material/description: fragment of body of tubular balsamarium made of transparent, free-blown glass with azure tones, flat base on which it can stand; wall cracked.  
Dimensions: preserved ht. 3.05 cm.
94. Tubular balsamarium, P. 6. 94, fig. 94  
Inv. no. AMS-72149  
Material/description: fragment of body of tubular balsamarium made of transparent, free-blown glass with azure tones, flat base on which it can stand; wall cracked.  
Dimensions: preserved ht. 3.7 cm.
95. Tubular balsamarium, P. 6. 95, fig. 95  
Inv. no. AMS-72150  
Material/description: fragment of body of tubular balsamarium made of transparent, free-blown glass with azure tones, flat base on which it can stand; wall cracked.  
Dimensions: preserved ht. 3.95 cm.
96. Tubular balsamarium, P. 6. 96, fig. 96  
Inv. no. AMS-72151  
Material/description: fragment of body of tubular balsamarium made of transparent free-blown glass with greenish tones, flat base on which it can stand.  
Dimensions: preserved ht. 2.37 cm.
97. Tubular balsamarium, P. 6. 97, fig. 97  
Inv. no. AMS-72152  
Material/description: fragment of body of tubular balsamarium made of transparent, free-blown glass with azure tones, flat base on which it can stand; wall bent due to fire.  
Dimensions: preserved ht. 3.5 cm.
98. Tubular balsamarium, P. 6. 98, fig. 98  
Inv. no. AMS-72153  
Material/description: fragment of body of tubular balsamarium made of transparent, free-blown glass with azure tones, flat base on which it can stand.  
Dimensions: preserved ht. 1.6 cm.
99. Tubular balsamarium, P. 6. 99, fig. 99  
Inv. no. AMS-72154  
Material/description: fragment of body of tubular balsamarium made of transparent, free-blown glass with azure tones, flat base on which it can stand; wall cracked.  
Dimensions: preserved ht. 1.7 cm.
100. Tubular balsamarium, P. 6. 100, fig. 100  
Inv. no. AMS-72156  
Material/description: fragment of neck of tubular balsamarium with spouted rim having polished edge, made

- puhanog stakla; spaja se od dva ulomka, stijenka je raspucana.  
Dimenzije: sač. vis. 2,45, pr. oboda 1,7 cm.
- of transparent free-blown glass; assembled from two pieces, wall is cracked.  
Dimensions: preserved ht. 2.45, rim dia. 1.7 cm.
101. Cjevasti balzamarij, T. 6. 101, sl. 101  
Inv. br. AMS-72157  
Materijal / opis: ulomak vrata cjevastog balzamarija s ljevkastim obodom odrezanog ruba, od prozirnog, slobodno puhanog, gotovo bezbojnog stakla.  
Dimenzije: sač. vis. 1,3 cm, pr. oboda 1,5 cm.
101. Tubular balsamarium, P. 6. 101, fig. 101  
Inv. no. AMS-72157  
Material/description: fragment of neck of tubular balsamarium with spouted rim having severed edge, made of transparent free-blown, almost colourless glass.  
Dimensions: preserved ht. 1.3 cm, rim dia. 1.5 cm.
102. Cjevasti balzamarij, T. 6. 102, sl. 102  
Inv. br. AMS-72158  
Materijal / opis: ulomak vrata cjevastog balzamarija s ljevkastim obodom ugrađena ruba, od prozirnog, slobodno puhanog stakla zelenkaste nijanse; stijenka je raspucana.  
Dimenzije: sač. vis. 5,2 cm, pr. oboda 2,2 cm.
102. Tubular balsamarium, P. 6. 102, fig. 102  
Inv. no. AMS-72158  
Material/description: fragment of neck of tubular balsamarium with spouted rim having polished edge, made of transparent free-blown glass with greenish tones; wall cracked.  
Dimensions: preserved ht. 5.2 cm, rim dia. 2.2 cm.
103. Cjevasti balzamarij, T. 6. 103, sl. 103  
Inv. br. AMS-72160  
Materijal / opis: ulomak vrata cjevastog balzamarija (?) s horizontalnim obodom svijenim prema unutra, od prozirnog, slobodno puhanog stakla modričaste nijanse; stijenka je raspucana.  
Dimenzije: sač. vis. 3,1 cm, pr. oboda 2,5 cm.
103. Tubular balsamarium, P. 6. 103, fig. 103  
Inv. no. AMS-72160  
Material/description: fragment of neck of tubular balsamarium (?) with horizontal rim curved inward, made of transparent, free-blown glass with azure tones; wall cracked.  
Dimensions: preserved ht. 3.1 cm, rim dia. 2.5 cm.
104. Cjevasti balzamarij, T. 6. 104, sl. 104  
Inv. br. AMS-72159  
Materijal / opis: ulomak vrata cjevastog balzamarija s ljevkastim obodom ugrađena ruba, od prozirnog, slobodno puhanog stakla modričaste nijanse; stijenka je raspucana i svijena pod utjecajem vatre.  
Dimenzije: sač. vis. 4,23 cm, pr. oboda 1,87 cm.
104. Tubular balsamarium, P. 6. 104, fig. 104  
Inv. no. AMS-72159  
Material/description: fragment of neck of tubular balsamarium with spouted rim having polished edge, made of transparent, free-blown glass with azure tones; wall cracked and bent by fire.  
Dimensions: preserved ht. 4.23 cm, rim dia. 1.87 cm.
105. Cjevasti balzamarij, T. 6. 105, sl. 105  
Inv. br. AMS-72161  
Materijal / opis: cjevasti balzamarij od prozirnog, slobodno puhanog stakla modričaste nijanse, zaravnjenog dna, vjerojatno jednako dugog tijela i vrata; nedostaje obod, balzamarij je raspucan i svijen pod utjecajem vatre.  
Dimenzije: sač. vis. 5,1 cm.
105. Tubular balsamarium, P. 6. 105, fig. 105  
Inv. no. AMS-72161  
Material/description: tubular balsamarium made of transparent, free-blown glass with azure tones, flat base, body and neck probably same length; rim missing, balsamarium cracked and bent by fire.  
Dimensions: preserved ht. 5.1 cm.
106. Cjevasti balzamarij, T. 7. 106, sl. 106  
Inv. br. AMS-72162  
Materijal / opis: cjevasti balzamarij od prozirnog, slobodno puhanog stakla modričaste nijanse, tijela vjerojatno dužeg od vrata; balzamarij je raspucan i rastaljen, spljošten pod utjecajem vatre, s jedne strane je za njega, pod utjecajem vatre, zalijepljeno još rastaljenog stakla, vjerojatno balzamarija neprepoznatljiva oblika.  
Dimenzije: sač. vis. 6,3 cm.
106. Tubular balsamarium, P. 7. 106, fig. 106  
Inv. no. AMS-72162  
Material/description: tubular balsamarium made of transparent, free-blown glass with azure tones, body probably longer than neck; balsamarium cracked and melted, compressed by fire, additionally glass affixed to one side under influence of fire, probably from another balsamarium of unknown shape.  
Dimensions: preserved ht. 6.3 cm.
107. Cjevasti balzamarij, T. 7. 107, sl. 107  
Inv. br. AMS-72163  
Materijal / opis: cjevasti balzamarij od prozirnog, slobodno
107. Tubular balsamarium, P. 7. 107, fig. 107  
Inv. no. AMS-72163  
Material/description: tubular balsamarium made of

- puhanog stakla modričaste nijanse, tijela dužeg od vrata ili tijela i vrata jednake dužine, te ljevkastog oboda; balzamarij je raspucan i svijen pod utjecajem vatre.  
Dimenzije: sač. vis. 4,4 cm.
108. Cjevasti balzamarij, T. 7. 108, sl. 108  
Inv. br. AMS-72164  
Materijal / opis: tijelo cjevastog balzamarija od prozirnog, slobodno puhanog stakla modričaste nijanse; raspucano je i svijeno pod utjecajem vatre.  
Dimenzije: sač. vis. 4,2 cm.
109. Cjevasti balzamarij, T. 7. 109, sl. 109  
Inv. br. AMS-72165  
Materijal / opis: donji dio tijela cjevastog balzamarija od prozirnog, slobodno puhanog stakla modričaste nijanse, može stajati na zaravnjenom dnu; raspucan je i svijen pod utjecajem vatre.  
Dimenzije: sač. vis. 2,7 cm.
110. Cjevasti balzamarij, T. 7. 110, sl. 110  
Inv. br. AMS-72166  
Materijal / opis: donji dio tijela cjevastog balzamarija od prozirnog, slobodno puhanog stakla modričaste nijanse, zaravnjenog dna; raspucan je i svijen pod utjecajem vatre.  
Dimenzije: sač. vis. 2,4 cm.
111. Cjevasti balzamarij, T. 7. 111, sl. 111  
Inv. br. AMS-72167  
Materijal / opis: donji dio tijela cjevastog balzamarija od prozirnog, slobodno puhanog stakla modričaste nijanse, zaravnjenog dna; raspucan je i svijen pod utjecajem vatre.  
Dimenzije: sač. vis. 2,3 cm.
112. Cjevasti balzamarij, T. 7. 112, sl. 112  
Inv. br. AMS-72168  
Materijal / opis: donji dio tijela cjevastog balzamarija od prozirnog, slobodno puhanog stakla modričaste nijanse, zaravnjenog dna; raspucan je pod utjecajem vatre.  
Dimenzije: sač. vis. 1,8 cm.
113. Cjevasti balzamarij, T. 7. 113, sl. 113  
Inv. br. AMS-72169  
Materijal / opis: donji dio tijela cjevastog balzamarija od prozirnog, slobodno puhanog stakla modričaste nijanse, zaravnjenog dna; raspucan je pod utjecajem vatre.  
Dimenzije: sač. vis. 1,4 cm.
114. Cjevasti balzamarij, T. 7. 114, sl. 114  
Inv. br. AMS-72170  
Materijal / opis: donji dio tijela cjevastog balzamarija od prozirnog, slobodno puhanog stakla modričaste nijanse; raspucan je pod utjecajem vatre.  
Dimenzije: sač. vis. 1,4 cm.
- transparent, free-blown glass with azure tones, body longer than neck or neck and body have same length, and spouted rim; balsamarium cracked and bent by fire.  
Dimensions: preserved ht. 4.4 cm.
108. Tubular balsamarium, P. 7. 108, fig. 108  
Inv. no. AMS-72164  
Material/description: body of tubular balsamarium made of transparent free-blown glass with azure tones; cracked and bent by fire.  
Dimensions: preserved ht. 4.2 cm.
109. Tubular balsamarium, P. 7. 109, fig. 109  
Inv. no. AMS-72165  
Material/description: lower part of body of tubular balsamarium made of transparent free-blown glass with azure tones, can stand on flat base; cracked and bent by fire.  
Dimensions: preserved ht. 2.7 cm.
110. Tubular balsamarium, P. 7. 110, fig. 110  
Inv. no. AMS-72166  
Material/description: lower part of body of tubular balsamarium made of transparent free-blown glass with azure tones, flat base; cracked and bent by fire.  
Dimensions: preserved ht. 2.4 cm.
111. Tubular balsamarium, P. 7. 111, fig. 111  
Inv. no. AMS-72167  
Material/description: lower part of body of tubular balsamarium made of transparent free-blown glass with azure tones, flat base; cracked and bent by fire.  
Dimensions: preserved ht. 2.3 cm.
112. Tubular balsamarium, P. 7. 112, fig. 112  
Inv. no. AMS-72168  
Material/description: lower part of body of tubular balsamarium made of transparent free-blown glass with azure tones, flat base; cracked and bent by fire.  
Dimensions: preserved ht. 1.8 cm.
113. Tubular balsamarium, P. 7. 113, fig. 113  
Inv. no. AMS-72169  
Material/description: lower part of body of tubular balsamarium made of transparent free-blown glass with azure tones, flat base; cracked and bent by fire.  
Dimensions: preserved ht. 1.4 cm.
114. Tubular balsamarium, P. 7. 114, fig. 114  
Inv. no. AMS-72170  
Material/description: lower part of body of tubular balsamarium made of transparent free-blown glass with azure tones; cracked by fire.  
Dimensions: preserved ht. 1.4 cm.

115. Cjevasti balzamarij, T. 7. 115, sl. 115  
Inv. br. AMS-72171  
Materijal / opis: donji dio tijela cjevastog balzamarija od prozirnog, slobodno puhanog stakla modričaste nijanse, zaravnjenog dna; raspucan je pod utjecajem vatre.  
Dimenzije: sač. vis. 1,5 cm.
115. Tubular balsamarium, P. 7. 115, fig. 115  
Inv. no. AMS-72171  
Material/description: lower part of body of tubular balsamarium made of transparent free-blown glass with azure tones, flat base; cracked and bent by fire.  
Dimensions: preserved ht. 1.5 cm.
116. Cjevasti balzamarij, T. 7. 116, sl. 116  
Inv. br. AMS-72172  
Materijal / opis: ulomak vrata cjevastog balzamarija s ljevkastim obodom, od prozirnog, slobodno puhanog stakla modričaste nijanse; svijen pod utjecajem vatre.  
Dimenzije: sač. vis. 1,9 cm, pr. oboda 1,5 cm.
116. Tubular balsamarium, P. 7. 116, fig. 116  
Inv. no. AMS-72172  
Material/description: fragment of neck of tubular balsamarium with spouted rim, made of transparent free-blown glass with azure tones; bent by fire.  
Dimensions: preserved ht. 1.9 cm, rim dia. 1.5 cm.
117. Cjevasti balzamarij, T. 7. 117, sl. 117  
Inv. br. AMS-72173  
Materijal / opis: ulomak vrata cjevastog balzamarija s ljevkastim obodom, od prozirnog, slobodno puhanog stakla modričaste nijanse; svijen pod utjecajem vatre.  
Dimenzije: sač. vis. 2,8 cm, pr. oboda 1,7 cm.
117. Tubular balsamarium, P. 7. 117, fig. 117  
Inv. no. AMS-72173  
Material/description: fragment of neck of tubular balsamarium with spouted rim, made of transparent free-blown glass with azure tones; bent by fire.  
Dimensions: preserved ht. 2.8 cm, rim dia. 1.7 cm.
118. Balzamarij, T. 7. 118, sl. 118  
Inv. br. AMS-72312  
Materijal / opis: od keramičkog balzamarija sačuvan je vrat što se širi prema gore, s obodom horizontalno izvučenim i svijenim prema van; boja: 10YR 6/2.<sup>91</sup>  
Dimenzije: sač. vis. 5,2 cm, pr. oboda 2,5 cm.
118. Balsamarium, P. 7. 118, fig. 118  
Inv. no. AMS-72312  
Material/description: neck of upwardly expanding neck of ceramic balsamarium preserved, with rim horizontally drawn and curved outward; colour: 10YR 6/2.<sup>91</sup>  
Dimensions: preserved ht. 5.2 cm, rim dia. 2.5 cm.
119. Bočica, T. 7. 119, sl. 119  
Inv. br. AMS-72307  
Materijal / opis: bočica od zaravnjenog slobodno puhanog, prozirnog stakla modričaste nijanse, kvadratičnog tijela, ravnog dna, oblog ramena, kratkog i uskog vrata, horizontalno izvučenog oboda svijenog prema unutra, s profiliranom koljenastom ručicom nanesenom od ramena pod oštrim kutom do ispod oboda; obod je odlomljen i dio mu nedostaje.  
Dimenzije: sač. vis. 9,95 cm, dim. stranice tijela 4,4 cm, vis. tijela 6,7 cm.
119. Small phial, P. 7. 119, fig. 119  
Inv. no. AMS-72307  
Material/description: phial made of flattened free-blown transparent glass with azure tones, squarish body, flat base, rounded shoulders, short and narrow neck, horizontally outwardly drawn rim curved inwardly, with articulated jointed handle applied at shoulder at sharp angle below rim; rim broken off with part missing.  
Dimensions: preserved ht. 9.95 cm, dim. of body sides 4.4 cm, body ht. 6.7 cm.
120. Bočica, T. 8. 120, sl. 120  
Inv. br. AMS-72308  
Materijal / opis: donji dio bočice od zaravnjenog slobodno puhanog, prozirnog stakla modričaste nijanse, kvadratičnog tijela, zaravnjenog dna; nedostaju gornji dio tijela, vrat s obodom i ručica.  
Dimenzije: dim. stranice tijela 4,3 cm.
120. Phial, P. 8. 120, fig. 120  
Inv. no. AMS-72308  
Material/description: lower part of phial made of flattened free-blown transparent glass with azure tones, with squarish body, flat base; upper part of body, neck with rim and small handle missing.  
Dimensions: dim. of body sides 4.3 cm.
121. Ručica bočice, T. 8. 121, sl. 121  
Inv. br. AMS-72309  
Materijal / opis: profilirana koljenasta ručica analogna onoj na prije katalogiziranoj bočici, sa sačuvanom stijenkom oblog ramena; odlomljena je nedaleko od mjesta na koje je bila
121. Phial handle, P. 8. 121, fig. 121  
Inv. no. AMS-72309  
Material/description: articulated jointed handle analogous to that on phial above in catalogue, with preserved wall of rounded shoulder, and broken off near position where it was

91 *Munsell* 2009.91 *Munsell* 2009.

nanesena na vrat pod oštrim kutom.

Dimenzije: vis. 4,34 cm.

affixed to the neck at sharp angle.

Dimensions: ht. 4,34 cm.

122. Zdjelica, T. 8. 122, sl. 122

Inv. br. AMS-72306

Materijal / opis: zdjelica od tankog, prozirnog, slobodno puhanog stakla zelene nijanse, blago zaravnjenog dna; tijelo, u donjem dijelu oblo, od sredine ukoso prelazi u konveksni obod ravno odrezanog ruba; po sredini tijela aplicirane su dvije nasuprotne okomite ručice, u dnu oboda i u donjoj trećini tijela vidljivi su plitki horizontalni urezi; sastavljena iz nekoliko ulomaka.

Dimenzije: vis. 6,85 cm, pr. oboda 5,8 cm.

122. Bowl, P. 8. 122, fig. 122

Inv. no. AMS-72306

Material/description: bowl made of thin, transparent free-blown glass with green tones, slightly flattened base, body rounded at lower section, transitions diagonally at middle into convex rim with cut-off edge, two vertically opposing handles applied at middle of body, shallow horizontal incisions visible at base of rim and in lower third of body; assembled from several pieces.

Dimensions: ht. 6.85 cm, rim dia. 5.8 cm.

123. Zdjelica, T. 8. 123, sl. 123

Inv. br. AMS-72311

Materijal / opis: keramička zdjelica ravnog dna, globularnog tijela; sredinom gornje polovice urešena je dvjema horizontalnim incizijama; obod koso izvučen, s kaneliranim ručicom nanesenom od polovice tijela do oboda; boja - iznutra: 5YR 7/4, boja - izvana: 7.5YR 8/2;<sup>92</sup> druga ručica nije sačuvana, slijepljena je od osam ulomaka.

Dimenzije: vis. 8,43 cm, pr. oboda 6,2 cm.

123. Bowl, P. 8. 123, fig. 123

Inv. no. AMS-72311

Material/description: ceramic bowl with flat base, globular body, middle of upper portion decorated with two horizontal incisions, diagonally drawn out rim, with fluted handle applied half way between body and rim; colour - inside 5YR 7/4, colour - outside: 7.5YR 8/2<sup>92</sup>; other handle not preserved, glued together from eight pieces.

Dimensions: ht. 8.43 cm, rim dia. 6.2 cm.

124. Lucerna, T. 9. 124, sl. 124

Inv. br. AMS-72313

Materijal / opis: keramička lucerna malih dimenzija; sačuvan je dio glatkog, konkavnog, okruglog diska sa središnjom rupom za zrak, obrubljenog žlijebom; uzdignuta ručica s rupom ima dvije okomite incizije na prednjem dijelu, ravno je dno obrubljeno plitkim žlijebom, s nečitim natpisom; sačuvan je dio oblog nosa; boja: 10YR 6/2;<sup>93</sup> sačuvana je u sedam ulomaka od kojih se samo nos ne spaja; u dijelu dna, ispod ručice, nije uklonjen višak keramike.

Dimenzije: vis. 3,7 cm, vis. tijela 2,4 cm, pr. 4,2 cm.

124. Oil lamp, P. 9. 124, fig. 124

Inv. no. AMS-72313

Material/description: ceramic oil lamp of smaller dimensions, part of smooth, concave, round discus preserved with central hole for venting air, bordered by groove, raised handle with hole and two small incisions on front, flat base bordered by shallow groove, with illegible inscription, part of rounded nozzle preserved; colour: 10YR 6/2;<sup>93</sup> preserved in seven pieces, of which only the nozzle cannot be connected; excess ceramic was not removed from part of the base, below the handle.

Dimensions: ht. 3.7 cm, ht. of body 2.4 cm, dia. 4.2 cm.

125. Špatula, T. 9. 125, sl. 125

Inv. br. AMS-72317

Materijal / opis: brončana špatula s jednim trapezoidnim naoštrenim krajem ravne drške.

Dimenzije: duž. 10,5 cm, šir. drške 0,75 cm, deb. drške 0,23 cm, šir. špatule 2,3 cm.

125. Spatula, P. 9. 125, fig. 125

Inv. no. AMS-72317

Material/description: bronze spatula with single trapezoidal sharpened end of flat handle.

Dimensions: lng. 10.5 cm, wid. of handle 0.75 cm, thk. of handle 0.23 cm, wid. of spatula 2.3 cm.

126. Ogledalo, T. 9. 126, sl. 126

Inv. br. AMS-72315

Materijal / opis: pravokutno metalno ogledalo od šest komada; korozija, patina.

Dimenzije: vis. 9,9 cm, šir. 8,8 cm, deb. 0,5 cm.

126. Mirror, P. 9. 126, fig. 126

Inv. no. AMS-72315

Material/description: rectangular metal mirror in six pieces; corrosion, patina.

Dimensions: ht. 9.9 cm, wid. 8.8 cm, thk. 0.5 cm.

<sup>92</sup> Munsell 2009.

<sup>93</sup> Munsell 2009.

<sup>92</sup> Munsell 2009.

<sup>93</sup> Munsell 2009.

127. Patera, T. 9. 127, sl. 127

Inv. br. AMS-72314

Materijal / opis: metalna patera s kružnim plitkim udubljenjem na konveksnoj, vanjskoj strani, vjerojatno tragom stalka, te ispupčenjem na konkavnoj, unutrašnjoj strani; obod, ravan s gornje strane, s donje je strane naglašen rubnim koncentričnim rebrima; korozija, patina.

Dimenzije: pr. 8,4 cm, vis. 2,6 cm, deb. 0,5 cm.

127. Patera, P. 9. 127, fig. 127

Inv. no. AMS-72314

Material/description: metal patera with circular shallow depression on convex, external side, probably trace of foot, and protrusion on concave internal side, straight rim on upper side emphasized below with concentric edge ribs; corrosion, patina.

Dimensions: dia. 8.4 cm, ht. 2.6 cm, thk. 0.5 cm.

**Kratice / Abbreviations**

RIC - C.H.V. Sutherland, R.A.G. Carson, *The Roman Imperial Coinage*, volume I, revised edition, from 31 BC to AD 69, London 1984.

**Literatura / Bibliography**

Anderson-Stojanović 1987  
V.R. Anderson-Stojanović, *The Chronology and Function of Ceramic Unguentaria*, *American Journal of Archaeology*, AJA 91/1, 1987, 105-122.

Bacchelli 1999  
B. Bacchelli, *Dall'età ellenistica alla prima età imperiale*, in: M. Barbera, (ed.), *La collezione Gorga*, Museo Nazionale Romano, Milano 1999, 192-203, str. 200.

Baldoni, Berti 1998  
D. Baldoni, F. Berti, *Il vetro di lasos (Caria) nel quadro delle produzioni nel Mediterraneo orientale*, *Il vetro dell'antichità all'età contemporanea: aspetti tecnologici, funzionali e commerciali*. Atti 2<sup>a</sup> giornate nazionali di studio. AIHV - Comitato nazionale italiano 14-15 Dicembre 1996 Milano, Milano 1998, 73-85.

Barovier Mentasti, Tirelli 2010  
R. Barovier Mentasti, M. Tirelli (ed.), *Altino, vetri di laguna*, Treviso 2010.

Biaggio Simona 1991  
S. Biaggio Simona, *I vetri romani provenienti dalle terre dell'attuale Cantone Ticino*, Locarno 1991.

Bíró 1994  
M.T. Bíró, *The Bone Objects of the Roman Collection*, *Catalogi musei Nationalis Hungarici*, Series Archaeologica II, Budapest 1994.

Bordenache Battaglia 1983  
G. Bordenache Battaglia, *Corredi funerari di età imperiale e barbarica nel Museo Nazionale Romano*, Roma 1983.

Bonnet Borel 1997  
F. Bonnet Borel, *Le verre d'époque romaine à Avenches - Aventicum, Typologie générale*, Avenches 1997.

Buljević 2002  
Z. Buljević, *Stakleni balzamariji*, in: Longae Salonae I i II, E. Marin (ed.), Split 2002, I: 383-454; II: 180-206.

Buljević 2003a  
Z. Buljević, *Stakleni inventar/Glasinventar*, in: M. Sanader, *TILURIUM I, Istraživanja - Forschungen 1997. - 2001.*, Zagreb 2003, 271 - 356.

Buljević 2003b  
Z. Buljević, *Naronitansko staklo*, Izdanja hrvatskog arheološkog društva 22, Zagreb-Metković-Split 2003, 85-117.

Buljević 2004  
Z. Buljević, *The Glass*, in: E. Marin, and M. Vickers (ed.), *The Rise and Fall of an Imperial Shrine*, *Roman Sculpture from the Augusteum at Narona*, Split 2004, 186-209.

Buljević 2010  
Z. Buljević, *Rimskodobna nekropola u splitskoj Lori*, *Vjesnik za arheologiju i povijest dalmatinsku* 103, Split 2010, 81-190.

Calvi 1968  
M. C. Calvi, *I vetri romani del Museo di Aquileia*, Aquileia 1968.

Calvi 1974-1975  
M. C. Calvi, *La barchetta vitrea del museo di Treviso*, *Aquileia Nostra* 45-46, Milano 1974-1975, 479-486.

Casagrande, Ceselin 2003  
C. Casagrande, F. Ceselin, *Vetri antichi delle Province di Belluno, Treviso e Vicenza*, *Corpus delle Collezioni Archeologiche del Vetro nel Veneto* 7, Venezia 2003, T. XII. 244, str. 36, 144.

Charlesworth 1966  
D. Charlesworth, *Roman Square Bottles*, *Journal of Glass Studies* 8, Corning, New York 1966, 26-40.

Ciarallo, De Carolis 1999  
A. Ciarallo, E. De Carolis (ed.), *Homo faber, Natura, scienza e tecnica nell'antica Pompei*, Milano 1999.

Czurda-Ruth 1979  
B. Czurda-Ruth, *Die römischen Gläser vom Magdalensberg*, Klagenfurt 1979.

D'Ambrosio, De Carolis 1997  
A. D'Ambrosio, E. De Carolis, *I monili dall'area vesuviana*, Roma 1997.

Damevski 1976  
V. Damevski, *Pregled tipova staklenog posuda iz italjskih, galskih, mediteranskih i porajnskih radionica na području Hrvatske u doba Rimskog Carstva*, *Antičko steklo v Jugoslaviji, Materijali XI, Arheološki vestnik* 25 (1974), 19-210, Ljubljana 1976, 62-87.

Deimel 1987  
M. Deimel, *Die Bronzekleinfunde vom Magdalensberg*, Klagenfurt 1987.

De Tommaso 1990  
G. de Tommaso, *Ampullae vitreae. Contenitori in vetro di unguenti e sostanze aromatiche dell'Italia romana (I. sec. a.C. - III. sec. d.C.)*, *Archaeologica* 94, Roma 1990.

Dolenz 1998  
H. Dolenz, *Eisenfunde aus der stadt auf dem Magdalensberg*, Klagenfurt 1998.

Dular 1979  
A. Dular, *Rimske koščene igle iz Slovenije*, *Arheološki vestnik* 30, Ljubljana 1979, 278-293.

- Fadić 1998  
I. Fadić, *Il vetro*, in: *Trasparenze imperiali. Vetri romani dalla Croazia*, Milano 1998, 73-238.
- Fadić 2001  
I. Fadić, *Antičko staklo u Liburniji*, Zadar 2001, neobjavljena disertacija.
- Fadić 2008  
I. Fadić, *Kolekcija antičkog stakla*, in: *Pax et bonum FF-AM. Arheološka zbirka Franjevačkog samostana u Sinju*, Sinj 2008, 153-184.
- Glušćević 1990  
S. Glušćević, *Rimska nekropola u Kaljskoj ulici*, Diadora 12, Zadar 1990, 107-194.
- Goethert-Polaschek 1977  
K. Goethert-Polaschek, *Katalog der römischen Gläser des Rheinischen Landesmuseums Trier*, Mainz am Rhein 1977.
- Goethert-Polaschek 1983  
K. Goethert-Polaschek, *Spiegel*, in: *Die Römer an Mosel und Saar. Zeugnisse der Römerzeit in Lothringen, in Luxemburg, im Raum Trier und im Saarland*, Mainz 1983, str. 274-276, kat. br. 239c.
- Göttlicher 1978  
A. Göttlicher, *Materialien für ein Corpus der Schiffmodelle im Altertum*, Mainz 1978, kat. br. 503, str. 84.
- Haberey, Röder 1961  
W. Haberey, J. Röder, *Das frühchristliche Frauengrab von St. Aldegund*, Germania 39, Frankfurt am Main 1961, 128-142, sl. 2.1, T. 31, 32.
- Harden et al. 1987  
D.B. Harden, H. Hellenkemper, K. Painter, D. Whitehouse, *Glass of the Caesars*, Milano 1987, kat. br. 24, str. 19, 48.
- Ignatiadou 2002  
D. Ignatiadou, *Colorless Glass in Late Classical and Early Hellenistic Macedonia*, Journal of Glass Studies 44, New York 2002, 11-24.
- Invernizzi 2002  
R. Invernizzi, *Recenti ritrovamenti di materiali bronzei nella zona di Pavia*, in: G. Cuscito, M. Verzár-Bass, (ed.), *Brozni di età romana in Cisalpina. Novità e riletture*, Trieste 2002, 415-425.
- Isings 1957  
C. Isings, *Roman Glass from Dated Finds*, Groningen/Djakarta 1957.
- Istenič 1999  
J. Istenič, Poetovio, *Zahodna grobišča I. Grobne celote iz Deželnega muzeja Joanneuma v Gradcu. Poetovio, The Western Cemeteries I. Grave-Groups in the Landesmuseum Joanneum, Graz*, Ljubljana 1999.
- Istenič 2000  
J. Istenič, Poetovio, *Zahodna grobišča II. Grobne celote iz Deželnega muzeja Joanneuma v Gradcu. Poetovio, The Western Cemeteries I. Grave-Groups in the Landesmuseum Joanneum, Graz*, Katalog. Catalogue, Ljubljana 2000.
- Istenič, Schneider 2000  
J. Istenič, G. Schneider, *Aegean Cooking Ware in the Eastern Adriatic*, *Rei cretariae romanae fautorum acta* 36, Abingdon 2000, 341-348.
- Ivčević 1999  
S. Ivčević, *Antički medicinski-farmaceutski instrumenti iz Arheološkog muzeja u Splitu*, *Vjesnik za arheologiju i historiju dalmatinsku* 90-91, Split 1999, 101-160.
- Ivčević 2002a  
S. Ivčević, *Kozmetički pribor*, in: *Longae Saloniae*, E. Marin (ed.), Split 2002, I: 327-348, II: 156-161.
- Ivčević 2002b  
S. Ivčević, *Metalno prstenje*, in: *Longae Saloniae*, E. Marin (ed.), Split 2002, I: 277-287, II: 148.
- Ivčević 2002c  
S. Ivčević, *Predmeti za šivanje*, in: *Longae Saloniae*, E. Marin (ed.), Split 2002, I: 469-482, II: 212-216.
- Ivčević 2003a  
S. Ivčević, *Antički koštani predmeti iz Narone*, in: *Arheološka istraživanja u Naroni i dolini Neretve*, Izdanja hrvatskog arheološkog društva 22, Zagreb-Metković-Split 2003, 119-128.
- Ivčević 2003b  
S. Ivčević, *Antički metalni predmeti iz Narone*, in: *Arheološka istraživanja u Naroni i dolini Neretve*, Izdanja hrvatskog arheološkog društva 22, Zagreb-Metković-Split 2003, 129-167.
- Krier 1983  
J. Krier, *Töpferbesteck (Hortfund)*, in: *Die Römer an Mosel und Saar. Zeugnisse der Römerzeit in Lothringen, in Luxemburg, im Raum Trier und im Saarland*, Mainz 1983, str. 213, kat. br. 160.
- Lazar 2003  
I. Lazar, *Rimsko steklo Slovenije. The Roman Glass of Slovenia*, Ljubljana 2003.
- Lazar 2008  
I. Lazar, *Staklo iz rimske nekropole u Bakru*, in: Z. Gregl, I. Lazar, *Bakar. Staklo iz rimske nekropole. The Glass from the Roman Cemetery*, Zagreb 2008, 49-99.
- Larese 2004  
A. Larese, *Vetri antichi del Veneto*, Corpus delle collezioni archeologiche del vetro nel Veneto 8, Venezia 2004, T. CXXX. 244, str. 73.
- Mandrizzato 2008  
L. Mandrizzato, ed., *Vetri Antichi del Museo Archeologico Nazionale di Aquileia. Ornamenti e oggettistica e vetro pre- e post-romano*, Corpus delle Collezioni del Vetro in Friuli Venezia Giulia 4, Trieste 2008.
- Mardešić 2002  
J. Mardešić, *Keramički balzamariji*, in: *Longae Saloniae*, E. Marin (ed.), Split 2002, I: 377-381, II: 178-179.
- Marengo 2002  
S.M. Marengo, *Anfore ed altri oggetti della vita quotidiana*, ANTIQVA FRVSTVLA. URBS SALVIA. Materiali sporadici dalla città e dal territorio, Abbazia di Fiastra, 4 ottobre - 31 dicembre 2002, 33-38.
- Mercando, Zanda 1998  
L. Mercando, E. Zanda, con un saggio di L. Beschi, *Bronzi da Industria*, Roma 1998.
- Munsell 2009  
*Munsell Soil Color Chart. 2009 Revised Edition*.
- Nedved 1981  
B. Nedved, *Nakit rimskog razdoblja*, in: *Nakit na tlu sjeverne Dalmacije od prapovijesti do danas*, Zadar 1981, 151-182.
- Painter 1968  
K.S. Painter, *Roman Glass*, in: D.B. Harden, K.S. Painter, R.H. Pinder-Wilson, Hugh Tait, *Masterpieces of Glass*, The British Museum, London 1968, 36-90, str. 45, kat. br. 53.



- Petković 1995  
S. Petković *Rimski predmeti od kosti i roga sa teritorije Gornje Mezije*, Beograd 1995.
- Platz-Horster 1979  
G. Platz-Horster, *Zu Erfindung und Verbreitung der Glasmacherpfeife*, Journal of Glass Studies 21, Corning, New York 1979, 27-31.
- Pompeji Wiederentdeckt 1994  
Pompeji Wiederentdeckt, Antikenmuseum Basel und Sammlung Ludwig, 19. März - 26 Jun 1994, Rom 1994.
- Ravagnan 1994  
G. L. Ravagnan, *Vetri antichi del Museo Vetrario di Murano*, Corpus delle collezioni archeologiche del vetro nel Veneto 1, 1994.
- Ricci 1985  
A. Ricci, *Ceramica a pareti sottili*, in: *Enciclopedia dell'arte antica, classica e orientale, Atlante delle forme ceramiche, II, Ceramica fine romana nel bacino Mediterraneo (tardo ellenismo e primo impero)*, Roma 1985, 231-357.
- Roffia 1993  
E. Roffia, *I vetri antichi delle civiche raccolte archeologiche di Milano*, Milano 1993.
- Rossi, Chiaravalle 1998  
F. Rossi, M. Chiaravalle, *Due corredi funerari della prima età imperiale dalla pianura bresciana*, Vetro e vetri. Preziose iridescenze, Milano 1998, 25-44.
- Ruprechtsberger 1978  
E. M. Ruprechtsberger, *Die römischen Bein- und Bronzenadeln aus den Museen Enns und Linz*, Linzer Archäologische Forschungen Band 8, Linz 1978.
- Scatozza Höricht 1986  
L. A. Scatozza Höricht, *I vetri romani di Ercolano*, Roma 1986.
- Spaer 2001  
M. Spaer, *Ancient Glass in the Israel museum. Beads and Other Small Objects*, Jerusalem 2001.
- Sternini 1999  
M. Sternini, *I vetri provenienti dagli scavi della missione italiana a Cartagine (1973-1977)*, Journal of Glass Studies, 41, New York 1999, 83-103.
- Šaranović-Svetek 1981  
V. Šaranović-Svetek, *Tipologija koštanih predmeta iz Sirmijuma*, Rad Vojvodanskih muzeja 27, Novi Sad 1981, 149-179.
- Topić 2003  
M. Topić, *Stolno posuđe i glinene svjetiljke iz Augusteuma Narone*, Vjesnik za arheologiju i historiju dalmatinsku 95, Split 2003, 183-344.
- Varone 1994  
A. Varone, *Dadi (tesserae)*, in: *Pompeji Wiederentdeckt*, katalog izložbe, Antikenmuseum Basel und Sammlung Ludwig, 19. März - 26. Juni 1994, Rom 1994, 198-200.
- Vikić-Belanić 1948  
B. Vikić-Belanić, *Rimski koštani predmeti iz Osijeka u Arheološkom muzeju u Zagrebu*, Osječki zbornik 2-3, Osijek 1948, 36-47.
- Vomer Gojković 2008  
M. Vomer Gojković, *Alea iacta est - subject of amusement from Poetovio*, Histria Antiqua 16, Pula 2008, 73-80.
- Welker 1974  
E. Welker, *Die römischen Gläser von Nida-Hedderheim*, Schriften des Frankfurter Museums für Vor- und Frühgeschichte III, Frankfurt am Main 1974.
- Welker 1985  
E. Welker, *Die römischen Gläser von Nida-Hedderheim II*, Schriften des Frankfurter Museums für Vor- und Frühgeschichte VIII, Frankfurt am Main 1985.
- Whitehouse 1995  
D. Whitehouse, *Roman Glass Boats*, Journal of Glass Studies 37, Corning, New York 1995, 133-135.
- [http://www.britishmuseum.org/explore/highlights/highlight\\_objects/gr/c/cobalt-blue\\_glass\\_model\\_boat.aspx](http://www.britishmuseum.org/explore/highlights/highlight_objects/gr/c/cobalt-blue_glass_model_boat.aspx) Datum zadnje provjere: 6. rujan 2011.
- [http://www.britishmuseum.org/research/search\\_the\\_collection\\_database/search\\_object\\_details.aspx?objectid=466289&partid=1&output=Terms%2F!!%2FOR%2F!!%2F17113%2F!%2F%2F!%2Fwheel-cut%2F!%2F%2F!!%2F%2F!!!%2F&orig=%2Fresearch%2Fsearch\\_the\\_collection\\_database%2Fadvanced\\_search.aspx&currentPage=11&numpages=10](http://www.britishmuseum.org/research/search_the_collection_database/search_object_details.aspx?objectid=466289&partid=1&output=Terms%2F!!%2FOR%2F!!%2F17113%2F!%2F%2F!%2Fwheel-cut%2F!%2F%2F!!%2F%2F!!!%2F&orig=%2Fresearch%2Fsearch_the_collection_database%2Fadvanced_search.aspx&currentPage=11&numpages=10) Datum zadnje provjere: 6. rujan 2011.