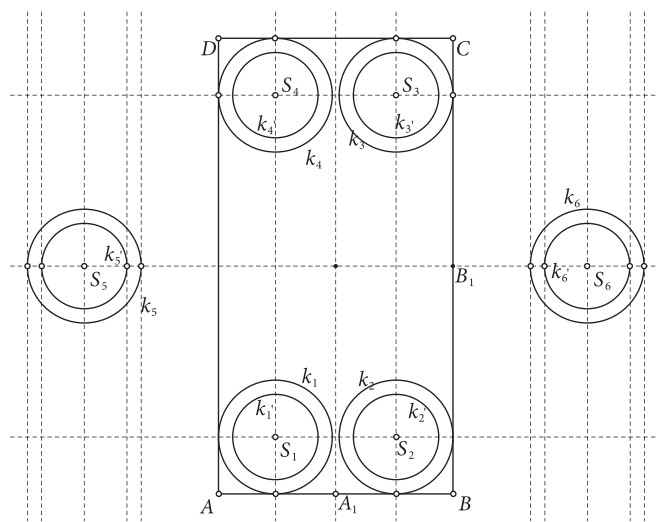




ČVOROVİ – KONSTRUKCIJE BEZ RIJEČI

Nikol Radović, Sisak

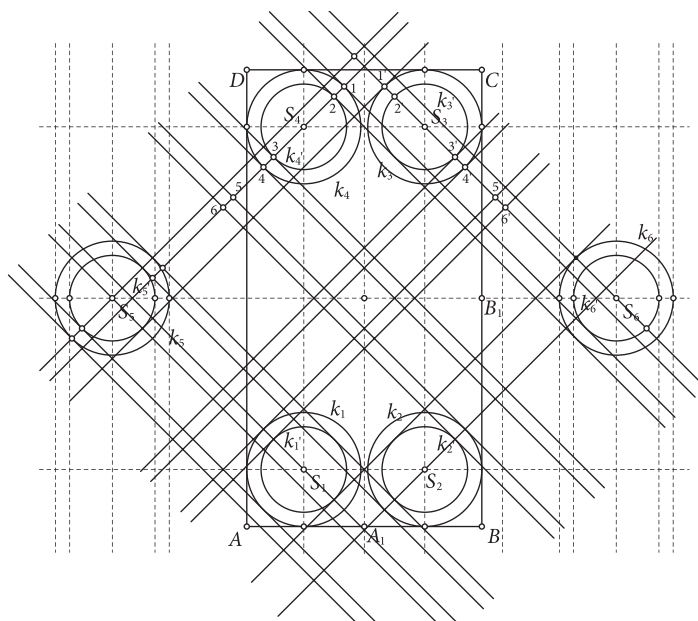


$$|AA_1| = |A, B|$$

$$|BB_1| = |B, C|$$

$$r = \frac{1}{4} |AB|$$

$$r' = \frac{3}{4} r$$



$$|12| = |1'2'| = \frac{1}{4} r$$

$$|56| = |5'6'| = 3 \cdot |12|$$



