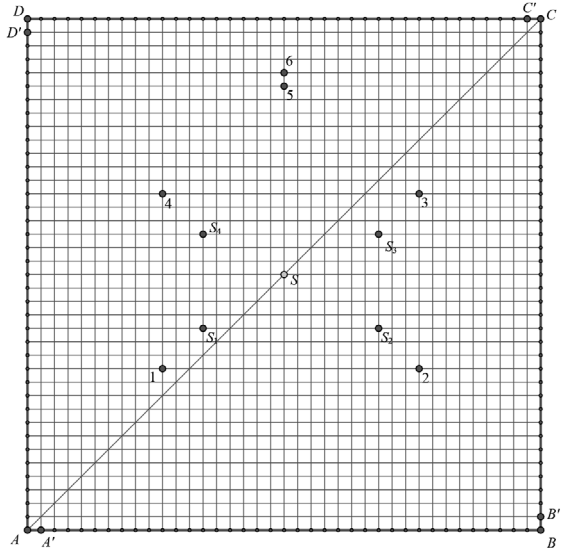
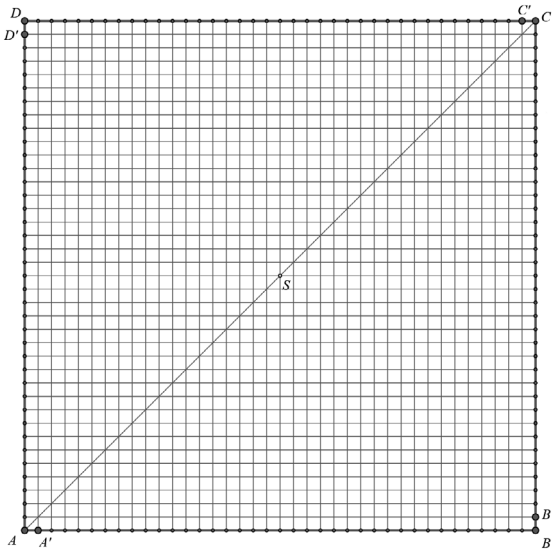


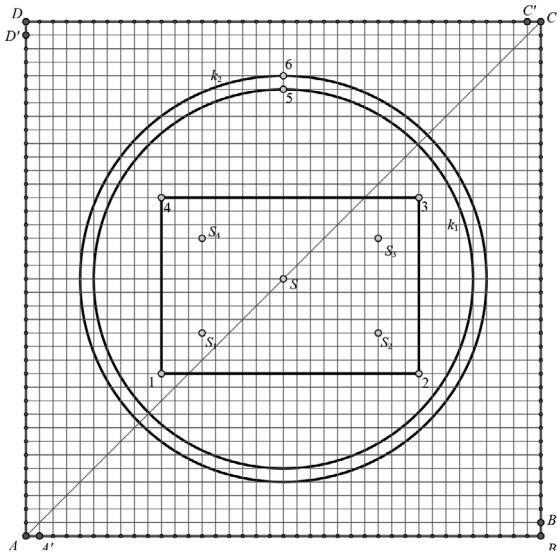


# LOGO – KONSTRUKCIJE BEZ RIJEČI – YOUTUBE

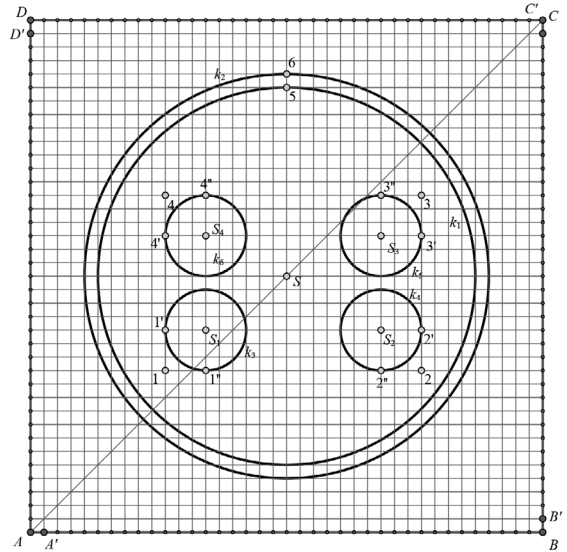
Nikol Radović, Seget Donji/Sisak



$$|AA'| = \dots = |BB'| = \dots = |CC'| = \dots = |DD'| = \dots = \frac{1}{38}|AB|$$

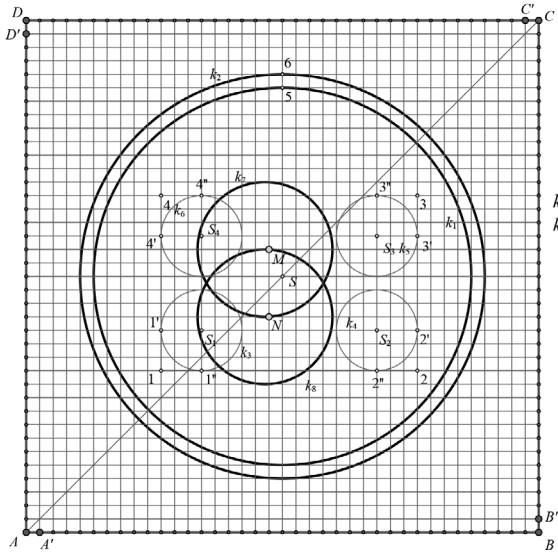


$k_1(S, |SS|)$   
 $k_2(S, |S6|)$



$k_3(S_1, |1''S_1|)$      $k_5(S_3, |3''S_3|)$   
 $k_4(S_2, |2''S_2|)$      $k_6(S_4, |4''S_4|)$





$k_7(M, |MN|)$   
 $k_8(N, |MN|)$

