

Jelena Jovanović

## Rimsko brončano posuđe iz Arheološkog muzeja u Splitu

### Roman bronze vessels from the Archaeological Museum in Split

Jelena Jovanović  
HR, 21 000 Split  
Arheološki muzej u Splitu  
Zrinsko-Frankopanska 25  
jelena.jovanovic@armus.hr

UDK: 904:739.5 (497.5 Split) "652"

Izvorni znanstveni članak

Primljeno: 19. 1. 2010.

Prihvaćeno: 19. 3. 2010.

Jelena Jovanović  
Croatia, 21000 Split  
Archaeological Museum in Split  
Zrinsko-Frankopanska 25  
jelena.jovanovic@armus.hr

UDK: 904:739.5 (497.5 Split) "652"

Original scientific paper

Received: 19 January 2010

Accepted: 19 March 2010

U ovom radu sustavno je obrađena 71 brončana posuda iz Rimskoprovincijalne zbirke Arheološkog muzeja u Splitu.\* Riječ je o fragmentarno sačuvanim ili u potpunosti sačuvanim posudama različitih vrsta (kaserole, paterae, vrčevi i njihove nožice i ručke, tanjur, zdjelica, tiganj, zaimače), koje pripadaju isključivo stolnom i kuhinjskom posuđu. Svi predmeti potječu sa srednjodalmatinskih lokaliteta, mahom iz Salone (njih 26), dok za velik broj posuda arheološki kontekst, okolnosti i mjesto nalaza ostaju nepoznati. Posude se datiraju u sam početak Rimskog Carstva, pretežno u 1. st. po. Kr., a samo ih je nekoliko iz srednjocarškog razdoblja ili 4. st. po. Kr.

*Ključne riječi: brončano posuđe, Arheološki muzej u Splitu, stolno i kuhinjsko posuđe*

This work contains a systematic analysis of 71 bronze vessels from the Roman Provincial Collection of the Archaeological Museum in Split.\* These are fragmentarily or completely preserved vessels of various types (trullae, paterae, jugs and their foot pieces and handles, a small bowl, a pan, ladles) which are exclusively table- and kitchenware. All items are from Central Dalmatian sites, mainly Salona (26 of them), while the archaeological context and the find circumstances and site are not known for many. The vessels are dated to the very beginning of the Roman Empire, largely the first century AD, and only a few are from the mid-imperial period to the fourth century AD.

*Key words: bronze vessels, Archaeological Museum in Split, table- and kitchenware*

---

\* Zahvalnost dugujem mr. sc. Zrinki Buljević, ravnateljici Arheološkog muzeja u Splitu, što mi je ustupila do sada neobjavljeni materijal na uvid.

\*\* Ovaj članak nastao je iz diplomskog rada obranjenog godine 2009. na Odsjeku za arheologiju Filozofskog fakulteta u Zagrebu. Srdačno zahvaljujem mentoru dr. sc. Domagoju Tončiniću na svim stručnim savjetima i korisnim sugestijama.

\*\*\* Posebna zahvala mr. sc. Sanji Ivčević na vrijednim savjetima, trajnoj pomoći i potpori.

---

\* Thanks are due to Zrinka Buljević, M.S., the director of the Archaeological Museum in Split, who allowed me to examine as yet unpublished materials.

\*\* This article is based on an undergraduate thesis defended in 2009 at the Archaeology Department of the Faculty of Arts and Letters in Zagreb. I would like to sincerely thank my mentor, Domagoj Tončinić, Ph.D. for all of his expert advice and useful suggestions.

\*\*\* Special thanks go to Sanja Ivčević, M. S., for her valuable advice and enduring assistance and support.



## Uvod

U arheologiji brončano posuđe spada u predmete luksuznog karaktera. Datacija tog posuđa temelji se na nalazima iz zatvorenih grobnih cjelina ili nekropola širom Rimskog Carstva pa i izvan njegovih granica. Činjenica je da se kronološki odnosi između ostalih arheoloških nalaza određuju upravo usporedbom s brončanim posudama. Nalazi brončanih posuda mnogo su rjeđi od primjerice nalaza fibula, nakita, pojasnih garnitura i ostalih predmeta rađenih u bronci, a predstavljaju vrhunac umjetničke izradbe majstora toreutike. Posuđe izrađeno od metala (bilo od zlata i srebra, od kojih su se izrađivali najluksuzniji predmeti, bilo od skupocjene bronce) imitiralo se u ostalim materijalima, kao što su staklo ili *terra sigillata*.<sup>1</sup>

U članku je kataloški obrađena 71 brončana posuda iz Rimskoprovincijalne zbirke Arheološkog muzeja u Splitu. Svi su primjerci konzervirani, neki gotovo u potpunosti sačuvani, ali je većina njih veoma oštećena ili tek fragmentarno očuvana.<sup>2</sup> Radi se o brončanim posudama koje su isključivo dio stolnoga i kuhinjskog posuđa, poput primjerice kaserola, patera, različitih tipova vrčeva i pripadajućih im nožica i ručki, potom tanjura, zdjelica, tiganja te ulomaka zaimača. Dakle, njihova prvobitna funkcija bila je vezana za posluživanje i kuhanje jela. Sukladno s tim, primjerci koji u Arheološkome muzeju u Splitu pripadaju toaletnom i liturgijskom posuđu, nisu tema ovog rada, pa u njemu nisu ni obrađeni.

Za neke posude, točnije njih 34, okolnosti pronalaska kao ni točno mjesto nalaska nisu u potpunosti poznati. Takvi su predmeti mahom bili otkupljeni ili dobiveni na dar u vrijeme don Frane Bulića. Ostali primjerci nađeni su na lokalitetima srednje Dalmacije: Gardun (*Tilurium*), Ivoševci kod Kistanja (*Burnum*), Žrnovnica, Kijevo, Lučani kod Sinja, Županjac te, najviše, njih 26, na području današnjega grada Solina (*Salona*).

Iako je vrsta obrađenog materijala navedena već u naslovu, treba istaknuti da su suvremene analize (najčešće detekcijom x-zrakama) pokazale kako se današnja bronca, legura bakra (90 %) i kositra (10 %) razlikovala od antičke, pretežno po omjeru njezinih sastojaka, koji su često varirali. Rimaska bronca namijenjena kovanju imala je 13,2 % kositra, metala koji daje površinski sjaj brončanim predmetima i čije je dodavanje omogućavalo veću čvrstoću i proporcionalan porast pozitivnih svojstava te slitine. Bronci ili kositru za lijevanje katkad se znalo dodati i olovo. Za izradu brončanih posuda u rimskoj se provinciji Dalmaciji te u provinciji Britaniji najduže koristila legura kositra i olova (engl. *pewter*), pogodna za lijevanje i hladnu obradu.<sup>3</sup>

## Introduction

In archaeology, bronze vessels are deemed luxury items. Their dating is based on finds from closed grave units or necropolises throughout the Roman Empire and even beyond its boundaries. The fact is that chronological relations among other archaeological materials are derived by comparison to bronze vessels. Finds of bronze vessels are much more rare than, for example, fibulae, jewellery, belt gear and other items made of bronze, and they are the peak of artistic rendering by toreutics masters. Vessels made of metal (whether gold or silver, which were the most luxurious items, or even expensive bronze) had their imitators made of other materials, such as glass or *terra sigillata*.<sup>1</sup>

This article catalogues 71 bronze vessels from the Roman Provincial Collection of the Archaeological Museum in Split. All of the examples have been conserved, some are almost entirely preserved, although most are very damaged or only fragmentarily preserved.<sup>2</sup> These are bronze vessels which are exclusively tableware or kitchenware, for example trullae, paterae, various types of jugs and the corresponding foot components and handles, plates, small bowls, a pan and fragments of a ladle. Thus, their original function was for cooking and serving food. In this vein, the examples from the Archaeological Museum in Split which belong to toiletries and liturgical vessels are not the topic of this work so they are not examined herein.

For some vessels, 34 to be precise, neither the circumstances surrounding their discovery nor their find sites are entirely known. Such items were mostly gathered or obtained as gifts during the time of Fr. Frane Bulić. The remaining examples were found in Central Dalmatian sites: Gardun (*Tilurium*), Ivoševci, near Kistanje (*Burnum*), Žrnovnica, Kijevo, Lučani, near Sinj, Županjac and most, 26, in the area of today's town of Solin (*Salona*).

Although the type of material in question is apparent from this work's very title, it bears emphasis that contemporary analysis (most often X-ray detection) has shown that modern bronze, an alloy of copper (90%) and tin (10%), differed from its Classical-era counterpart, primarily in the ratio of its components, which often varied. Roman bronze intended for forging contained 13.2% tin, a metal which provides surface shine to bronze items, and its addition afforded greater solidity and proportional enhancement of this alloy's positive properties. Sometimes lead was also added to bronze or tin for forging. Pewter, an alloy of tin and lead, suitable for casting and cold rendering, was used the longest in making bronze vessels both in Roman-era Dalmatia and in the Roman province of Britannia.<sup>3</sup>

1 Nuber 1973, str. 1.

2 Predmete je konzervirala Ivana Zrinka Bajić Franković, crteže izradili Branko Penđer i Zoran Podrug, fotografije Tonči Seser. Svima ovom prilikom zahvaljujem.

3 Koščević 1997, str. 43.

1 Nuber 1973, p. 1.

2 The items were conserved by Ivana Zrinka Bajić Franković, the sketches were done by Branko Penđer and Zoran Podrug, and the photographs are by Tonči Seser. I would like to extend my gratitude to all of them.

3 Koščević 1997, p. 43.



Slika 1.  
Kaserola (foto: T. Seser)

Figure 1.  
Trulla (photo: T. Seser)

### Kaserole (lat. *trullae*)

Kaserole su jedan od najznačajnijih tipova rimskog posuđa. Bile su distribuirane širom Rimskog Carstva, ali su pronađene i u grobovima sjeverno od njegovih granica, na skandinavskom poluotoku te na cijelom prostoru Rusije.<sup>4</sup> O njihovoj funkciji još se uvijek raspravlja, no zna se sa sigurnošću da je njihova uporaba bila višenamjenska. Služile su kao posude za piće,<sup>5</sup> za serviranje vina (u kombinaciji s cjedilom), a katkad su u termama zamjenjivale patere u toaletnom priboru.<sup>6</sup> Također su se, u funkciji tanjura, koristile u mjerenju, kao dijelovi vaga.<sup>7</sup>

Kaserole se dijele u nekoliko skupina, ovisno o tome kako su ukrašene njihove drške, posebice ovisno o obliku njihovih završetaka, koji ih tipološki i kronološki determiniraju. Također, katkad se na njima može nalaziti pečat radionice ili njezina vlasnika, što je dodatan razlog zbog kojeg su se smatrale jednim od najvažnijih i najzastupljenijih oblika rimskog posuđa. Heinrich Willers je davne 1907. godine sistematizirao otprilike 200 pečata s

### Trullae

Trullae are among the most important types of Roman vessels. They were distributed throughout the Roman Empire, but also found in graves north of its borders, in the Scandinavian peninsula and the entire Russian territory.<sup>4</sup> Their function is still subject to debate, but what is known for certain is that they had multiple uses. They were used as drinking vessels<sup>5</sup>, to serve wine (in combination with a strainer), and sometimes at baths they were substituted for paterae as a toiletry accessory<sup>6</sup> As plates, they were also used as pans for weighing scales.<sup>7</sup>

Trullae are divided into several groups, depending on how their handles are decorated, particularly depending on the forms of their ends, which determine them typologically and chronologically. Also, sometimes the stamp of the workshop or their owners may be found on them, which is an additional reason to consider them one of the most important and most common forms of Roman vessels. As far back as 1907, Heinrich Willers systemized roughly 200 trulla stamps, dividing them into those in

4 Breščak 1982, str. 11.

5 Ratković 2005, str. 170.

6 Bolla 1994, str. 34.

7 Di Pasquale 1999, str. 285.

4 Breščak 1982, p. 11.

5 Ratković 2005, p. 170.

6 Bolla 1994, p. 34.

7 Di Pasquale 1999, p. 285.



Slika 2.  
Ručka kaserole sa pečatom [T]ALIO [F] (foto: T. Seser)

Figure 2.  
Trulla handle with the stamp [T]ALIO [F] (photo: T. Seser)

kaserola, podijelivši ih na one u nominativu i one u genitivu.<sup>8</sup> Oni u nominativu često su uz vlastito ime imali i slovo *F* u značenju *fecit* ("napravio je"), pa je u tom slučaju ime pripadalo majstoru (čak i vlasniku radionice, ako se radilo o istoj osobi), dok su pečati u genitivu označavali ime kupca. *Terra sigillata* također se pečatirala po sličnom principu, prisutnom u čitavoj keramičkoj produkciji.

Dvije kaserole iz Arheološkoga muzeja u Splitu sačuvane su samo djelomično - nijedna nema sačuvane završetke drški, pa ih je teško tipološki pobliže odrediti i datirati. Kaserola iz stalnog postava (kat. br. 1) pronađena je u Saloni. Oštećena je po čitavom tijelu; imala je srebrni premaz iznutra i izvana, a po svom obliku mogla bi odgovarati tipu Eggers 137 ili 138, koji čine kaserole s diskoidnom drškom čiji je završetak u obliku perforiranog polumjeseca. Najčešće su se koristile kao dio pribora mense, i to za ulijevanje vina. Serijska produkcija takvoga tipa razvila se između prve četvrtine 1. st. po. Kr. i 2. st. po. Kr. u Kampaniji, a s Apeninskog poluotoka proširila se na rajnski i dunavski limes.<sup>9</sup> O radioničkom središtu u Kampaniji govore antički izvori ističući među metalnim posuđem tzv. *campana supellex* te činjenicu da je brončano posuđe najbolje kupovati u Kapui.<sup>10</sup> Uz kampanijske

the nominative and genitive cases.<sup>8</sup> Those in the nominative often had next to their own names the letter *F*, meaning *fecit* ("made by"), so in this case it belonged to a master (even the workshop owner, if it was the same person), while stamps in the genitive case denoted the buyer's name. *Terra sigillata* was also stamped under a similar principle, present throughout ceramic production.

Two trullae from the Archaeological Museum in Split have been preserved only partially - not one has preserved handle ends, so it is difficult to make any proximate typological determination and dating. The trulla from the permanent exhibition (cat. no. 1) was discovered in Salona. Its entire body is damaged. It had a silver slip inside and out, and its shape may correspond to Eggers type 137 or 138, consisting of trullae with discoid handles and perforated crescent moon endings. Most often these were used as a component of canteen ware, to pour wine. Serial production of this type developed in Campania between the first quarter of the first century to the second century AD, and it spread from the Apennine Peninsula to the Rhine and Danube limes.<sup>9</sup> Classical-era sources speak of the workshop hub in Campania, stressing among the metallic vessels the so-called *campana supellex* and the fact that bronze vessels were best purchased in Capua.<sup>10</sup> The

8 Willers 1907, str. 90.

9 Ciurletti 1998, str. 70.

10 Hoffiler 1903-1904, str. 111.

8 Willers 1907, p. 90.

9 Ciurletti 1998, p. 70.

10 Hoffiler 1903-1904, p. 111.

radionice istodobno su djelovale i galske.

Druga kaserola s nepoznatog nalazišta (kat. br. 2) ima tragove srebrnog premaza koji se primjećuje ispod izvijenog oboda. U odnosu na prvu kaserolu nešto je plića, a po svom bi obliku mogla pripadati tipu Eggers 143, karakterističnom za prvu polovinu 2. st. po. Kr.<sup>11</sup> Takav tip započeo se proizvoditi u klaudivjevsko vrijeme, a imao je diskoidnu dršku s perforiranim kružnim završetkom te dubokim brazdama koje su formirale uzak središnji pojas. Međutim, drška ove kaserole pravokutnog je presjeka i sužava se prema kraju, pa je utoliko specifična jer je izrazito kratka. Nema nikakva ukrasa na sebi, a budući da nema nepravilan, grub završetak, koji bi bio posljedica oštećenja, možda je imala neki produžetak koji se nataknuo na nju i tako omogućavao njezinu lakšu uporabu. Samim time precizna datacija nije moguća, kao ni kod kaserole kat. br. 1, a oba oblika javljaju se od 1. st. po. Kr. i imaju kontinuitet do 3. st. po. Kr.

Drška kaserole iz Kijeva (kat. br. 3) na sebi ima djelomično vidljiv pečat ALIO. F, koji se, zbog nepostojanja drugih analogija, poistovjećuje s pečatom TALIO. F. *Talio fecit* povezuje se s galskim radionicama aktivnima na početku 2. st. po. Kr. u kojima je očito radio taj Talion (*Talio*). Na području čitavog Carstva, a i Barbarika pronađeno je samo šest primjeraka ovakvog pečata, pa bi analogije s drškom kaserole iz Arheološkog muzeja u Splitu bile s onima na lokalitetima: Żegocino i Wekllice (Poljska), Salerno (Italija), Clifton (Engleska), Tîrgu - Secuiedc (Rumunjska), Burladingen - Hausen (Njemačka).<sup>12</sup> Osim istovjetnog pečata istog oblika i majstora, na svim navedenim lokalitetima pečat se pojavljuje na istome mjestu, unutar diskoidne drške s kružnim, perforiranim završetkom koja odgovara tipu kaserole Eggers 142,<sup>13</sup> pa bi tom tipu kaserole potencijalno pripadala i drška kat. br. 3. Ovakve posude bile su izrađene u galskim radionicama naprednijom tehnologijom u odnosu na prethodne. Bile su hladno kovane i iskucane, njihovo dno izrađeno je na kolu, a strane tijela oblikovane okretanjem i skraćivanjem. Takva učinkovita tehnika izradbe bila je mnogo brža nego prijašnja, te je omogućila masovnu produkciju, čak i serijsku proizvodnju kaserola.<sup>14</sup>

### Nožice posuda u obliku pelte

Nožice posuda u obliku pelte nalazile su se na prstenastom ili jednostavnom dnu, najčešće kaserola. Specifični oblici povezani su s njihovim razvojem i radionicama.<sup>15</sup>

U Arheološkom muzeju u Splitu pohranjeno je ukupno 25 nožica u obliku pelte različitih ukrasa i s različitim lokaliteta (Gardun, Solin i nepoznata nalazišta).

Gallic workshops operated at the same time as those in Campania.

The other trulla, from an unidentified find-site (cat. no. 2), has traces of silver coating which is discernable below the curved rim. It is somewhat shallower in relation to the first trulla, and in terms of shape it may belong to Eggers type 143, characteristic of the first half of the second century AD.<sup>11</sup> Such a type began to be produced in the Claudian era, and it had a discoid handle with perforated circular end and deep grooves forming a narrow central belt. However, the handle of this trulla has a rectangular cross-section and narrows toward the end, so it is thus specific because it is rather short. It has no ornamentation, and since it does not have an irregular, coarse ending, which would be a result of damage, it may have had an extension which was attached to it, thereby facilitating easier use. Precise dating is not possible precisely due to this fact, as in the case of trulla no. 1, and both appeared in the first century AD and endured to the third century.

The trulla handle from Kijevo (cat. no. 3) has a partially visible stamp on it reading ALIO. F, which, due to the absence of other analogies, has been identified as the stamp TALIO. F. *Talio fecit* is associated with the Gallic workshops active at the beginning of the second century AD in which a certain Talio obviously worked. Throughout the entire Empire, and even in Barbaricum, only six examples of such a stamp were found, so analogies with the trulla handle from the Archaeological Museum in Split would be those from these sites: Żegocino and Wekllice (Poland), Salerno (Italy), Clifton (England), Tîrgu-Secuiesc (Romania), and Burladingen-Hausen (Germany).<sup>12</sup> Besides an identical stamp of the same shape and made by the same craftsman, at these sites the stamp appears at the same place, inside the discoid handle with circular, perforated end which corresponds to Eggers type 142<sup>13</sup>, so the handle under cat. no. 3 may potentially belong to this trulla type. Such vessels were made in the Gallic workshops by more advanced technology than their predecessors. They were cold forged and hammered, their bases were made on a wheel, while the walls of the body were formed by reeling and cutting. Such an effective rendering technique was much faster than the previous method, and it enabled more mass production, and even serial production of trullae.<sup>14</sup>

### Pelta-shaped vessel feet

Pelta-shaped vessel feet were found on ring-shaped or simple bases, most often of trullae. The specific forms are associated with their development and workshops.<sup>15</sup>

A total of 25 pelta-shaped feet with different ornaments and from different sites (Gardun, Solin, and unidentified sites) are held in the Archaeological Museum in Split.

11 Bolla 1994, str. 36.

12 Natuniewicz -Sekuła, Okulizc-Kozaryn 2008, str. 260.

13 Natuniewicz -Sekuła, Okulizc-Kozaryn 2008, str. 260.

14 Natuniewicz-Sekuła, Okulizc-Kozaryn 2008, str. 261.

15 Holliger, Holliger 1985, str. 61.

11 Bolla 1994, p. 36.

12 Natuniewicz -Sekuła, Okulizc-Kozaryn 2008, p. 260.

13 Natuniewicz -Sekuła, Okulizc-Kozaryn 2008, p. 260.

14 Natuniewicz-Sekuła, Okulizc-Kozaryn 2008, p. 261.

15 Holliger, Holliger 1985, p. 61.



Slika 3.  
Nožica posude u obliku pelte (foto: T. Seser)

Figure 3.  
Pelta-shaped vessel foot (photo: T. Seser)

Jednostavnih nožica u obliku pelte ima ukupno pet (kat. br. 4-8), a analogije nalazimo na kaseroli s diskoidnom drškom kružnoga, perforiranog završetka iz Vrhnike.<sup>16</sup> Datiraju se u flavijevsko razdoblje, a Aldár Radnóti smatra da su same po sebi dokaz južnoitalske izrade, točnije da su kapuanskog podrijetla.<sup>17</sup>

Nožice u obliku pelte (kat. br. 9-17) imaju zadebljane krajeve, a neke od njih su imale i dodatan ukras na sebi - po tri urezane koncentrične kružnice. Nalazile su se na dnu kaserola s diskoidnom drškom čiji je završetak u obliku perforiranog polumjeseca (Eggers 143) te ispod onih koje su imale labuđe glave na završetku drške (Eggers 136).<sup>18</sup> Zadnji navedeni tip kaserola započeo se proizvoditi u posljednjem desetljeću vladavine Augusta, usporednog s vladavinom markomanskoga kralja Marboda, do čije su se smrti intenzivno izvozile širom Carstva, preko Akvileje i Karnunta. Osim tog tipa nožica u obliku pelte, na kaserolama s drškom ukrašenom stiliziranim labuđim glavama često bi se aplicirale i one s razdvojenim krajevima profiliranih krakova (kat. br. 21-25). Iste su se nalazile na jednoj kaseroli iz Vrhnika koja se, zbog pečata majstora radionice na sebi, datira u Augustovo vrijeme.<sup>19</sup> Takva nožica u

There are a total of five simple pelta-shaped feet (cat. no. 4-8), while analogies can be found on the trulla with discoid handle having a circular perforated end from Vrljka.<sup>16</sup> They have been dated to the Flavian period, and Aldár Radnóti deemed them in and of themselves evidence of Southern Italic make, of Capuan origin to be precise.<sup>17</sup>

Pelta-shaped feet (cat. no. 9-17) have thickened ends, and some of them even featured an additional ornament: three engraved concentric circles on each. They were at the bottom of the trulla with discoid handle and perforated crescent-shaped ending (Eggers 143) and below the ones which had swan's heads at the handle ends (Eggers 136).<sup>18</sup> The last cited trulla type began to be produced in the final decade of Augustus' reign, parallel to the rule of the Marcomanni king, Marboduus, until whose death they were imported throughout the Empire via Aquileia and Carnuntum. Besides this pelta-shaped foot, trullae with handle decorated by a stylized swan's head often had applied to them those with separated articulated arms (cat. no. 21-25). The same could be found on the trulla from Vrhnik which, thanks to the stamp of the workshop master on it, has been dated to the Augustan era.<sup>19</sup> This pelta-

16 Breščak 1982, str. 14.

17 Radnóti 1938, str. 46.

18 Holliger, Holliger 1985, str. 64.

19 Breščak 1982, str. 13-15.

16 Breščak 1982, p. 14.

17 Radnóti 1938, p. 46.

18 Holliger, Holliger 1985, p. 64.

19 Breščak 1982, pp. 13-15.

obliku pelte samo je razvojna etapa u nastanku i evoluciji nožice sa spojenim krajevima profiliranih krakova. Datira se od 1. st. pr. Kr. do kasnog klaudivjevskog doba, točnije do sredine 1. st. po. Kr.<sup>20</sup> Upravo tom obliku pripadaju kat. br. 26-28, a iz istog bi razdoblja bile i nožice u obliku pelte sa središnjim profiliranim krakom čiji su krajevi razdvojeni (kat. br. 18-20).

### Vrčevi i njihove ručke

U Arheološkome muzeju u Splitu pohranjen je vrč s trilobnim izljevom (lat. *oenochoe*) i vrpčastom ručkom, koja na vrhu ima stiliziranog lava, a na dnu apliku u obliku ženske glave (kat. br. 29). Arheološki kontekst u kojem je pronađen nažalost nije poznat. Ovakav tip vrča bio je dio rimskog stolnog posuđa, a svojim oblikom i tehnikom izrade vidno je inspiriran helenističkom tradicijom.<sup>21</sup> Često se nalazio u kombinaciji s paterom, a služio je kao posuda za umivanje, točnije, pranje ruku od ostataka hrane tijekom obroka.<sup>22</sup> Jedna od mogućih interpretacija tog servisa posuđa je i njegova upotreba u obredima.<sup>23</sup>

Hans Ulrich Nuber takve vrčeve pripisuje tipu *E (Millingen)*, povezujući ih s tipom Eggers 125-126<sup>24</sup> i tipom Radnóti 72-73, tipičnim za drugu polovinu 1. st. po. Kr. i početak 2. st. po. Kr. u Panoniji,<sup>25</sup> Italiji, Galiji, Trakiji, Meziji i ostalim provincijama Carstva.<sup>26</sup> Zbog analogija s nalazima ovakvih vrčeva iz Pompeja i Herkulaneja, *terminus ante quem* bi dakle bila godine 79. po. Kr. Vrč s trilobnim izljevom zadržao se u upotrebi još u 3. st. po. Kr.<sup>27</sup>

Vrč kat. br. 30 pronađen je u Saloni, a prema obliku i ukrasu od dvolisnih ovula koji se protežu duž ramena posude, istovjetan je vrču iz Veszpréma<sup>28</sup> i onom s nepoznatog nalazišta iz rimske provincije Trakije.<sup>29</sup> Oba navedena vrča predstavljaju nešto raniji tip vrčeva s bogato reljefno ukrašenom ručkom, čija aplika na kraju ima oblik glave Meduze. Takva aplika, kao i reljefni ornament na dršci pripadaju južnoitalskim radionicama 1. st. po. Kr., odakle su se širile prema Panoniji.<sup>30</sup> Međutim, vrč iz Arheološkog muzeja u Splitu ima jednostavnu glatku ručku trokutastog presjeka koja završava sa stiliziranom rukom. Apliciranje ručke na vrč jako je loše izvedeno; dapače, čini se kao da je naknadno dodana ili je da je poslužila kao zakrpa oštećenog dijela na trbuhu vrča.

shaped foot was simply a developmental stage in the emergence and evolution of the foot with connected ends of articulated arms. It has been dated from the first century to the late Claudian era, i.e. the mid-first century AD.<sup>20</sup> Cat. no. 26-28 belong to precisely this form, and the pelta-shaped feet with central articulated arm with ends separated would belong to the same period (cat. no. 18-20).

### Jugs and their handles

The Archaeological Museum in Split holds a jug with a trilobate spout (*Lat. oenochoe*) and ribbon-like handle with a stylized lion's head at its tip, and an appliqué shaped like woman's head at the bottom (cat. no. 29). The archaeological context in which it was discovered is not, unfortunately, known. This type of jug was a component of Roman tableware, and its shape and rendering technique visibly indicate that it was inspired by the Hellenistic tradition.<sup>21</sup> It is often found in combination with a patera, and it was used as a cleansing vessel, to wash the remains of food from the hands during a meal.<sup>22</sup> One of the possible interpretations of this vessel set is that it also served a function in rituals.<sup>23</sup>

Hans Ulrich Nuber attributed these jugs to type E (*Millingen*), associating them with Eggers types 125-126<sup>24</sup> and Radnóti types 72-73, typical of the latter half of the first century AD and the beginning of the second century AD in Pannonia,<sup>25</sup> Italy, Gallia, Thrace, Moesia and the Empire's other provinces.<sup>26</sup> Due to analogies with finds of such jugs from Pompeii and Herculaneum, the *terminus ante quem* would therefore be 79 AD. The jug with trilobate spout was in use well into the third century AD.<sup>27</sup>

The jug under cat. no. 30 was found in Salona, but its shape and ornamentation of double-leaf ovule which extends over the vessel's shoulder make it identical to the jug from Veszprém<sup>28</sup> and one from an unknown find-site in the Roman province of Thrace.<sup>29</sup> Both of these jugs are a somewhat earlier type of the jugs with richly relief-ornamented handles, with Medusa-head appliqué at the end. Such an appliqué, like the relief ornament on the handle, belong to the Southern Italic workshops of the first century AD, whence they spread toward Pannonia.<sup>30</sup> However, the jug from the Archaeological Museum in Split has a simple, smooth handle with triangular cross-section which ends in a stylized hand. The rendering used to apply the handle to the jug is poor, in fact, it would appear that it was subsequently added, or used as a patch for a damaged part of the jug's belly.

20 Holliger, Holliger 1985, str. 62.

21 Nuber 1973, str. 51.

22 Gorecki 1999, str. 105.

23 Sedlmayer 1999, str. 17.

24 Eggers 1951, str. 171.

25 Radnóti 1938, str. 147.

26 Raev 1977, str. 611.

27 Raev 1977, str. 612.

28 Radnóti 1938, str. 165.

29 Raev 1977, str. 621.

30 Radnóti 1938, str. 165.

20 Holliger, Holliger 1985, p. 62.

21 Nuber 1973, p. 51.

22 Gorecki 1999, p. 105.

23 Sedlmayer 1999, p. 17.

24 Eggers 1951, p. 171.

25 Radnóti 1938, p. 147.

26 Raev 1977, p. 611.

27 Raev 1977, p. 612.

28 Radnóti 1938, p. 165.

29 Raev 1977, p. 621.

30 Radnóti 1938, p. 165.





Slika 4.  
Vrč s trilobnim izljevom (foto: T. Seser)

Figure 4.  
Jug with trilobate spout (photo: T. Seser)



Slika 5.  
Vrč (foto: T. Seser)

Figure 5.  
Jug (photo: T. Seser)

Premda ovaj vrč nema analogija, bar što se tiče ručke, česti su vrčevi ovog tipa (Radnóti 81), koji su imali također jednostavnu ručku, ali sa završetkom u obliku ljudske noge. Oni čine zasebnu skupinu, koja je bila raširena Panonijom u 2. i 3. st. po. Kr.<sup>31</sup> Također, istodobno su se proizvodili i vrčevi čije su ručke bile jednostavne, vrpčaste i završavale stiliziranim ljudskim glavama. U Arheološkome muzeju u Splitu pohranjena su tri takva primjerka, kat. br. 32, 33 i 34. Primjerak pod kat. br. 33 pripada zbirci Bigoni i pronađen je u Saloni, a onaj pod kat. br. 34 potječe s nepoznatog nalazišta.

Tip vrča Radnóti 81 kronološki se podudara, a i jako je sličan tipu Radnóti 79.<sup>32</sup> Oba tipa distribuirala su se preko Italije u Galiju, a razlika je u tome što potonji tip ima reljefno ukrašene ručke čiji su završetci u obliku medaljona s različitim prikazima, najčešće Silena, erota, Amora i dionizijskih scena, koji datiraju još od Augustova vremena.<sup>33</sup> Stoga je takve ručke i njihove ukrašene završetke veoma teško precizno datirati, jer su bile

Even though there are no analogies to this jug, at least as far as the handle is concerned, jugs of this type (Radnóti 81) which also had a simple handle, but with an end shaped like a human foot, are common. They form a separate group, which was widespread in Pannonia in the second and third centuries AD.<sup>31</sup> Additionally, jugs with simple, ribbon-like handles ending in stylized human heads were produced at the same time. Two such examples are held in the Archaeological Museum in Split, cat. no. 33 and 34; the first belongs to the Bigoni Collection and was discovered in Salona, while the second is from an unknown site.

Radnóti type 81 corresponds chronologically, while it is quite similar to Radnóti type 79.<sup>32</sup> Both types were distributed via Italy into Gallia, and the difference is that the latter type has relief-decorated handles with ends shaped like medallions featuring different scenes, most often Silenus, Erotes, Amores and Dionysian scenes, dating back to the Augustan era.<sup>33</sup> Therefore it is difficult to precisely date these handles and their decorated ends, because they were present practically during

31 Radnóti 1938, T. XIV. 81.

32 Radnóti 1938, T. XIV. 162.

33 Kohlert-Németh 1990, str. 60.

31 Radnóti 1938, P. XIV. 81.

32 Radnóti 1938, P. XIV. 162.

33 Kohlert-Németh 1990, p. 60.



Slika 6.  
Ručka vrča (foto: T. Seser)

Figure 6.  
Jug handle (photo: T. Seser)

prisutne praktički za cijelo vrijeme postojanja Rimskog Carstva. Jedan takav primjerak iz Arheološkog muzeja u Splitu (kat. br. 35) potječe s nepoznata nalazišta. Riječ je o završetku ručke vrča u obliku medaljona s dvjema volutama na vrhu i reljefnim prikazom stilizirane žene i dupina. Takav prikaz nema analogija, iako je riječ o tipičnom završetku ručke vrča.

Također je zanimljiv završetak ručke vrča u obliku stiliziranog muškog lica u visokom reljefu, s plitko urezanim volutama i tragovima srebrnih intarzija (kat. br. 32). Iako podsjeća na gore navedene završetke ručki u obliku medaljona, ovaj nalaz iz Salone datira se na sam kraj 1. st. po. Kr. i početak 2. st. po. Kr.<sup>34</sup>

Ulomke drške vrča kat. br. 36 i 37 teško je datirati. Riječ je o vrlo čestim drškama koje su se aplicirale na vrčeve ili boce, a imale su polukružne krajeve u obliku stiliziranih ptičjih glava te tijelo ručke najčešće ukrašeno urezanim vegetabilnim motivom. Kao takve počele su se javljati na kasnorepublikanskim vrčevima, te su karakteristične za početak Carstva, ali ih nalazimo i na posudama u 6. i 7. st. po. Kr.<sup>35</sup> Ulomak drške kat. br. 36, pronađen u Žrnovnici, osim karakterističnih krajeva u obliku ptičjih glava, ima zanimljiv donji dio ručke, koji je djelomično sačuvan. Dijeli se u dvije vrpce koje započinju stiliziranim životinjskim šapama.

the entire existence of the Roman Empire. One such example from the Archaeological Museum in Split (cat. no. 35) originated at an unknown site. This is the end of a jug handle, shaped like a medallion with two volutes at the tip and a relief scene of a woman and dolphin. Such a portrayal has no analogies, even though it is a typical jug handle end.

Also interesting is the jug handle end shaped like a man's face in high relief, with shallowly engraved volutes and traces of inlaid silver (cat. no. 32). Although it recalls the aforementioned medallion-shaped handle ends, this find from Salone dates from the very end of the first century to the beginning of the second century AD.<sup>34</sup>

The jug handle fragments under cat. no. 36 and 37 are difficult to date. These were very common handles applied to jugs or bottles, and they had semi-circular ends shaped like stylized bird heads, while the body of the handle was most often decorated with engraved vegetable motifs. As such, they began to appear on Late Republic jugs, and they are characteristic of the onset of the Empire, but they were also found on vessels dating to the sixth and seventh centuries AD.<sup>35</sup> The jug fragment, cat. no. 36, found in Žrnovnica, has, besides the characteristic bird-head ends, an interesting lower handle part, which has been partially preserved. It is divided into two bands which begin with stylized animal paws.

34 Ratković 2005, str. 7.

35 Castoldi 1989, str. 77.

34 Ratković 2005, p. 7.

35 Castoldi 1989, p. 77.

Kasnorepublikanski vrčevi dijele se u tri velike skupine, a podjela je povezana s njihovim oblikom tijela. Prvoj skupini pripadaju bikonični vrčevi s ravnom bazom, koji imaju dvije inačice, ovisno o završetcima ručki. Ona koja završava sa stiliziranim bradatim čovjekom je tip *Piatra Neamt*, dok druga završava srcoliko-listolikim ukrasom i tip je *Gallarte*.<sup>36</sup> Vrčevi tipa *Gallarte* pronađeni su u nekropoli Volterra, te se po ostalim nalazima datiraju u kraj 2. st. pr. Kr. prema polovici 1. st. pr. Kr. Središte njihove proizvodnje bilo je u središnjoj Italiji, ali su se izvozili istočno, preko Dunava, sve do Volge. Stoga i ne čudi da su pronađene u nekim sarmatskim nekropolama, kao i na području naseljenom Skordiscima.<sup>37</sup>

Ručka tipa *Gallarte* (kat. br. 31) pronađena je u Saloni i cjelovito je sačuvana. No takve ručke nalazile su se također na posebnom tipu vrča, *Idrija*, koji je pronađen na eponimnom, kasnolatenskom lokalitetu, točnije nekropoli. Iako su karakteristične za kasnorepublikansko razdoblje, njihova produkcija u sjevernoitaljskim i južnoitaljskim radionicama nastavljena je sve do kraja 1. st. po. Kr. Bile su distribuirane širom Europe, čak i u Maroko, a njihova najveća koncentracija je u sjevernoj Italiji i na rajnskom limesu.<sup>38</sup>

Donji dio ručke srcolikog završetka također se mogao pronaći na nekim vrčevima još u vremenu kasne Republike, koji nisu pripadali tipu *Gallarte*, primjerice na srebrenom vrču tipa *Arcisate* koji se datira u 75. god. pr. Kr.<sup>39</sup> Takvom tipu ručke pripada i ulomak sa srcolikim završetkom (kat. br. 38). Nalaz je iz Salone, a takav tip ručke vrča prisutan je tijekom cijeloga postojanje Carstva, od navedenih kasnorepublikanskih vrčeva do vrčeva *Blechkannen* karakterističnih za 2. i 3. st. po. Kr.<sup>40</sup>

Vrčevi ili boce imali su poklopce. Jedan takav poklopac (kat. br. 39) potječe s nepoznatog nalazišta. Ima oblik djeteline i malenu perforaciju na dnu, a djelomično mu je sačuvan zglobni pregib na vrhu. Obično se poklopci vrčeva datiraju na sam kraj 1. st. po. Kr.<sup>41</sup> Također, tipovi posuda poput *Blechkanne* mogli su imati poklopce. U tom slučaju poklopci su nešto kasniji, analogno vremenu razvoja tog tipa posude, pa se datiraju na kraj 3. st. po. Kr.<sup>42</sup>

### Amfora (lat. *amphora*)

Svojim bi oblikom amfora (kat. br. 40) odgovarala tipu Eggers 129, koji nastaje u tiberijsko vrijeme, a čiji se intenzitet produkcije povećava prema polovini 1. st. po. Kr. Takav oblik prisutan je u čitavom Carstvu, ponajviše na teritoriju Apeninskog poluotoka, a nešto manje na području nekadašnje rimske provincije Germanije.

Late Republic jugs are divided into three large groups, and the division is associated with their body shape. The first group encompasses biconical jugs with flat bases, which have two variants depending on the handle ends. One variant ends with a stylized bearded man and is called the *Piatra Neamt* type, while the other variant ends with a heart-shaped/foolate ornament, and is called the *Gallarte* type.<sup>36</sup> *Gallarte*-type jugs were found in the Volterra necropolis, and based on other finds they date from the end of the second century BC to roughly the mid-first century BC. Their production centre was in Central Italy, but they were imported east, across the Danube, all the way to the Volga. Therefore, it is not surprising that they were found in certain Sarmatian necropolises, and also in the territory inhabited by the Scordiscs.<sup>37</sup>

A *Gallarte*-type handle (cat. no. 31) was found in Salona and is entirely preserved. However, such handles were also found one a special jug type - the *Idria* - discovered at the eponymous, late La Tène site, actually a necropolis. Even though they were characteristic of the Late Republic period, their production in Northern and Southern Italic workshops continued until the end of the first century AD. They were distributed throughout Europe, and even as far as Morocco, and their highest concentration was in Northern Italy and the Rhine limes.<sup>38</sup>

The lower part of the handle with heart-shaped end can also be found on some jugs even in the Late Republic period, but which were not *Gallarte* type, such as, for example, the silver *Arcisate* type, which has been dated to 75 BC.<sup>39</sup> The fragment with heart-shaped end (cat. no. 38) also belongs to this handle type. The find is from Salona, and this type of jug handle was present for the entire duration of the Empire, from the aforementioned Late Republic jugs to the *Blechkannen* jugs characteristic of the second and third centuries AD.<sup>40</sup>

Jugs or bottles had lids. One such (cat. no. 39) is from an unknown find site. It is shaped like a clover with a small hole pierced on the bottom, and its hinged joint at the top is partially preserved. Normally jug lids are dated to the very end of the first century AD.<sup>41</sup> Additionally, vessel types such as the *Blechkanne* type may have had lids. In this case, the lids are somewhat later than the analogous time for the development of this vessel type, and dated to the end of the third century AD.<sup>42</sup>

### Amphora

In terms of its shape, the amphora (cat. no. 40) corresponded to Eggers type 129, which emerged during the Tiberian era, with increasing intense production toward the mid-first century AD. This shape was present in the entire Empire, mostly on the Apennine Peninsula, and somewhat less so in the territory of the former Roman

36 Ratković 2005, str. 159.

37 Ratković 2005, str. 160.

38 Ratković 2005, str. 160-165.

39 Feugère 1991a, str. 127.

40 Radnóti 1938, str. 152.

41 Breščak 1982, str. 27.

42 Bolla 1989, str. 99.

36 Ratković 2005, p. 159.

37 Ratković 2005, p. 160.

38 Ratković 2005, pp. 160-165.

39 Feugère 1991a, p. 127.

40 Radnóti 1938, p. 152.

41 Breščak 1982, p. 27.

42 Bolla 1989, p. 99.



Slika 7.  
Amfora (foto: T. Seser)

Figure 7.  
Amphora (photo: T. Seser)

Njegova se proizvodnja znatno smanjuje u vrijeme Vespazijana, a taj tip amfore javlja se sporadično i u 3. st. po. Kr., u funkciji posude u kojoj se čuvao novac.<sup>43</sup>

Amfora iz Arheološkog muzeja u Splitu ima svijeni obod i dugi vrat koji je jasno odvojen od loptastog trbuha. Ista obilježja imaju amfore iz prve skupine, čiju je podjelu napravio Boris A. Raev.<sup>44</sup> Vrijeme njihova nastanka datira se u sam početak 1. st. po. Kr., dok bi početak druge izdvojene skupine amfora s jajolikim tijelom bio u drugoj polovici 1. st. po. Kr.<sup>45</sup> Amfora jednaka onoj iz Muzeja pronađena je u Plovdivu<sup>46</sup> (antički *Philippopolis*), nekadašnjem glavnom gradu rimske provincije Trakije. Uz isti oblik tijela i prstenasto dno, ručke su jednostavne, s listolikim završecima. Nalaz iz Plovdiva lokalni je proizvod, pa je to vjerojatno i kat. br. 40, što znamo po tome što su ručke bez reljefne dekoracije bile isključivo lokalne proizvodnje.<sup>47</sup>

province of Germania. Its production declined considerably during the reign of Vespasian, and this amphora type appeared sporadically even in the third century AD, used as a vessel to hold money.<sup>43</sup>

The amphora from the Archaeological Museum in Split has a curved rim and a long neck which is clearly separated from the ball-shaped belly. Amphorae from the first group, classified by Boris A. Raev, have identical features.<sup>44</sup> The time of their emergence dates to the very beginning of the first century AD, while the onset of the other separate amphora group with ovoid body was in the latter half of the first century AD.<sup>45</sup> An amphora identical to the one in the Museum was found in Plovdiv<sup>46</sup> (ancient Philippopolis), once the principal city in the Roman province of Thrace. Besides the same body form and ring-shaped base, the handles are simple, with foliate ends. The find from Plovdiv is a local product, so the item under cat. no. 40 probably is as well, for it is known that handles without relief ornaments were exclusively local products.<sup>47</sup>

43 Bolla 1994, str. 73.

44 Raev 1977, str. 622.

45 Bolla 1994, str. 73.

46 Raev 1977, str. 639.

47 Raev 1977, str. 624.

43 Bolla 1994, p. 73.

44 Raev 1977, p. 622.

45 Bolla 1994, p. 73.

46 Raev 1977, p. 639.

47 Raev 1977, p. 624.

Inače, prema modelu brončanih amfora izrađivale su se amfore od srebra, keramike, pa čak i od *terra sigillata*. Iako se ne zna iz kojih se radioničkih središta distribuirao taj tip posuda, vjerojatno je riječ o Kampaniji, a i nekim drugim, do sada neistraženim područjima.<sup>48</sup>

### Limeni vrčevi (*Blechkannen*)

Posuda pod kat. br. 41, pronađena je u Saloni, a u literaturi se pojavljuje pod nazivom *Blechkanne*. Radi se o posudama, tj. bocama od metalne kovine, najčešće od lima, kao što im i ime kaže. Uobičajena je podjela na dvije skupine, ovisno o prisutnosti lijevanog otvora. Primjerak iz Salone pripao bi 2. skupini, koju karakteriziraju posude bez lijevanog otvora.<sup>49</sup> Posebnu podjelu 2. skupine na šest morfološki različitih tipova, označenih slovima od *a* do *f* napravila je Margherita Bolla. Prema njezinim kriterijima kat. br. 41 ulazio bi u tip *d*, varijantu *d1*, definiranu stožastim vratom, izrazito kosim, gotovo okomitim prijelazom ramena posude na tijelo te rijetko sačuvanom ručkom, koja je vjerojatno čavlima ili zakovicama bila pričvršćena za posudu. Također, tom tipu posude pripao bi i ulomak vrata (kat. br. 42) s nepoznatog nalazišta te sačuvanim ostatcima željezne, vrpčaste ručke omotane oko vrata. Analogije nalazimo na posudi pohranjenoj u Arheološkome muzeju u Sofiji.<sup>50</sup>

Tip *d1* najčešći je u provincijama Panoniji i Dalmaciji, a vjerojatno je riječ o regionalnoj inačici nastaloj pod utjecajem razvoja posuda tipa *c* i tipa *e*.<sup>51</sup> *Blechkanne* slična toj pronađena je u Sisku i Vinkovcima.<sup>52</sup> Viktor Hoffiller i Aldár Radnóti slažu se u dataciji potonje, smještajući je u drugu polovicu 3. st. po. Kr., uzimajući pritom u obzir i druge nalaze iz tog groba,<sup>53</sup> dok se Margherita Bolla tome ne priklanja, te drži da posuda možda čak i ne bi trebala pripadati toj inačici.<sup>54</sup>

O upotrebi *Blechkanne* i dalje se malo zna. Metodama termoaluminiscencije i radioaktivnog ugljika ispituje se namjena ovih posuda, a nameće se mogućnost da je riječ o posudama u kojima se čuvala topla voda, dakle antičkim *termosicama*, kako predlažu neki autori.<sup>55</sup> *Blechkanne* se počinje intenzivno proizvoditi u drugoj polovini 3. st. po. Kr., što je vremenski donja granica varijante *d1*. Njezina proizvodnja je dugotrajna, nastavlja se do 7. st. po. Kr.<sup>56</sup>

Otherwise, bronze amphorae were used as models for those made of silver, ceramic and even *terra sigillata*. Even though there is no knowledge on the workshop centres whence this vessel type was distributed, they were probably Campania and some other, as yet unresearched territories.<sup>48</sup>

### Tin jugs (*Blechkannen*)

The vessel under cat. no. 41 was discovered in Salona, and in the literature it appears under the designation *Blechkanne*. This is a type of jug or bottle made of a metal alloy, usually tin, as the name itself denotes. A division of these vessels into two groups has become the established practice, differing from each other depending on the presence of a cast opening. The example from Salona belonged to the second group, characterized by vessels without cast openings.<sup>49</sup> A further of group 2 into six morphologically different types, designated *a* through *f* was done by Margherita Bolla. According to her criteria, cat. no. 41 would be type *d*, variant *d1*, defined by a conical neck, a very slanted, almost horizontal transition from the vessel's shoulder to body and a rarely preserved handle which was probably fastened to the vessel by nails or rivets. This type would additionally include the neck fragment (cat. no. 42) from an unknown find-site and the preserved remains of an iron, ribbon-like handle wrapped around the neck. Analogies can be found in the vessel held in the Archaeological Museum in Sofia.<sup>50</sup>

Type *d1* was most common in the Roman provinces of Pannonia and Dalmatia, and it was probably a regional variant influenced by development of vessel types *c* and *e*.<sup>51</sup> *Blechkanne* similar to this were found in Sisak and Vinkovci.<sup>52</sup> Viktor Hoffiller and Aldár Radnóti agreed in dating the latter, placing it in the latter half of the third century AD, taking into consideration other goods from this grave,<sup>53</sup> while Margherita Bolla does not share this view, believing that the vessel should possibly not even be ascribed to this variant.<sup>54</sup>

Little is still known of the use of *Blechkanne*. Thermoluminescence and radiocarbon methods were used to test the function of these vessels, and a possibility that has arisen is that they were used to hold warm water, i.e. as ancient "Thermos" bottles as some scholars have proposed.<sup>55</sup> Intense production of *Blechkanne* began to be produced in the latter half of the third century AD, precisely when the lower threshold of variant *d1* has been ascertained. Its production endured quite long, until the seventh century AD.<sup>56</sup>

48 Bolla 1994, str. 73.

49 Bolla 1989, str. 96.

50 Bolla 1989, str. 110.

51 Bolla 1989, str. 101.

52 Hoffiller 1908, str. 134.

53 Radnóti 1938, str. 154.

54 Bolla 1989, str. 101.

55 Cassani 1999, str. 8.

56 Bolla 1989, str. 103.

48 Bolla 1994, p. 73.

49 Bolla 1989, p. 96.

50 Bolla 1989, p. 110.

51 Bolla 1989, p. 101.

52 Hoffiller 1908, p. 134.

53 Radnóti 1938, p. 154.

54 Bolla 1989, p. 101.

55 Cassani 1999, p. 8.

56 Bolla 1989, p. 103.



Slika 8.  
Patera (foto: T. Seser)

Figure 8.  
Patera (photo: T. Seser)

### Patere (lat. *paterae*)

Patera iz Lučana kraj Sinja (kat. br. 43) ima karakterističnu dršku sa završetkom u obliku ovna, na kojoj se vide ostatci plave boje. Zbog glatkog umba na sredini spada u kategoriju *umbo-patera* koje se datiraju u 1. st. po. Kr., a kasniji oblici prisutni su u 3. st. po. Kr. Analogije su pronađene u Pompejima i u gradu Környe u Mađarskoj te kod nekih nalaza iz Panonije.<sup>57</sup>

Patere su imale posebno oblikovane drške, što se ponajviše ogleda u njihovim završetcima. Najčešće je riječ o zoomornim, antropomornim ili vegetabilnim ornamentima. Glava ovna redovito se pojavljivala na ovakvim posudama od klaudivjevskog doba do sredine 2. st. po. Kr. širom Carstva, a sporadično i izvan njegovih granica.<sup>58</sup> Kriterij za dataciju patera bio je prikaz ovnujskog runa, koji je na početku proizvodnje kružno oblikovan, a poslije je dobio trokutastu formu.<sup>59</sup> Zanimljivo je što su se patere sa završetkom drške u obliku ovnove glave pronalazile kao dio grobnog inventara unutar vojnih fortifikacija, primjerice na lokalitetima Diana, Šabac, Donja Toponica i Niš u Srbiji, a bliska im je i takva drška iz Zadra,

### Paterae

The patera from Lučane, next to Sinj (cat. no. 43), has the typical ram-shaped handle, on which the remains of blue paint can be discerned. Due to the smooth umbo in the middle, it belongs to the *umbo-patera* category dated to the first century AD, while later forms were present in the third century AD. Analogies were found in Pompeii and in the city of Környe (Hungary) and at some sites in Pannonia.<sup>57</sup>

Paterae had formed handles, mostly at their ends. Most often the ornaments were zoomorphic or anthropomorphic, or they featured plant motifs. The ram's head regularly appeared on such vessels from the Claudian era to the mid-second century AD throughout the Empire, and sporadically even outside of its borders.<sup>58</sup> The criteria for dating paterae was the portrayal of the ram's fleece, which was circularly formed at the onset of production, while it later assumed a triangular form.<sup>59</sup> It is interesting that paterae with handle ends shaped like ram's heads were found as a component of grave goods inside military fortifications, at, for example, the Diana, Šabac, Donja Toponica and Niš sites in Serbia, while a handle from Zadar is similar,

57 Radnóti 1938, str. 90, 91.

58 Ratković 2005, str. 173.

59 Ratković 2005, str. 173.

57 Radnóti 1938, pp. 90, 91.

58 Ratković 2005, p. 173.

59 Ratković 2005, p. 173.



Slika 9.  
Drška patere (foto: T. Seser)

Figure 9.  
Patera handle (photo: T. Seser)

datirana u sam kraj 1. st. po. Kr.<sup>60</sup> Osim ovnujske glave, završetak drške znala je ukrašavati lavlja ili pak pseća glava. Takav tip patere sa završetkom drške u obliku pseće glave vezuje se za *tip I (Canterbury)*,<sup>61</sup> a bio je raširen po Italiji i drugim rimskim provincijama od flavijevskog razdoblja pa sve do kraja 3. st. po. Kr.<sup>62</sup> Njemu bi se mogla pripisati i drška patere (kat. br. 44) iz stalnog postava, pronađena u Saloni. Patera sa sličnom drškom pronađena je na lokalitetu Környe (baš kao i *umbo-patera* koja je analogna kat. broju 43), a datira se u 2. st. po. Kr.<sup>63</sup>

Patere spadaju u skupinu stolnog posuđa, tj. posuđa za abluciju (ritualno pranje prije obroka). No njihova se uporaba nije ograničavala samo na kućanstvo. Koristile su se i za ulijevanje tekućina i skupljanje vode, pa su čest nalaz u termama i triklinijama. U rimskom razdoblju, zajedno s nekom drugom posudom (primjerice vrčem s trilobnim izljevom, poput kat. br. 29) često se pronalaze kao prilog uz pokojnika, pa se nameće zaključak da su tako vjerojatno činile servis potencijalnoga ritualnog značenja.<sup>64</sup> Ovakva kombinacija, set patere i vrča s

dated to the very end of the first century AD.<sup>60</sup> Besides the ram's head, handle ends were also decorated with lion's or even dog's heads. Such a patera type with a handle ending in a dog's head is associated with *type I (Canterbury)*,<sup>61</sup> and it was common in Italy and other Roman provinces from the reign of Flavius to the end of the third century AD.<sup>62</sup> The patera handle (cat. no. 44) from the permanent exhibition, discovered in Salona, could be attributed to it. A patera with similar handle was found at the Környe site (just like the *umbo-patera* which is analogous to cat. no. 43), and dated to the second century AD.<sup>63</sup>

Patarae are considered tableware, i.e. vessels used for ablutions (ritual washing prior to meals). But their use was not solely limited to households. Besides this, they were used for pouring liquids and scooping water, so they are common find at baths and triclinia. In the Roman era, together with other vessels (such as jugs with trilobate spouts, like cat. no. 29) they were often found as grave goods for the deceased, so a conclusion which imposes itself is that they therefore composed a set with potentially ritual significance.<sup>64</sup> This combination, a set of a patera and jug with trilobate spout, was

60 Ratković 2005, str. 173.

61 Nuber 1973, str. 63.

62 Castoldi 1989, str. 68.

63 Radnóti 1938, str. 91.

64 Ciurletti 1998, str. 69.

60 Ratković 2005, p. 173.

61 Nuber 1973, p. 63.

62 Castoldi 1989, p. 68.

63 Radnóti 1938, p. 91.

64 Ciurletti 1998, p. 69.

trilobnim izljevom pronađena je kod nas na lokalitetu Sopje-Bataluša.<sup>65</sup> Imitacije ovakvih tipova posuda nalazimo u različitim materijalima. Njih spominje Hans Ulrich Nuber obrađujući osim takvih brončanih servisa i one od srebra, stakla, alabastra i keramike.<sup>66</sup> Njihove prethodnike nalazimo još u 3. tisućljeću pr. Kr. u Egiptu, iz kojih su se razvili helenistički tipovi, a poslije i rimski.<sup>67</sup>

### Zdjelica (lat. *acetabulum*)

Često prisutan oblik posude na rimskom stolu bila je zdjelica, tj. *acetabulum*, čije ime sugerira da se u njoj čuvao ocat, koji su rado rabili i Grci i Rimljani. Osim octa u tim se zdjelicama vjerojatno posluživao riblji umak te druge delicije. Posude su bile jednostavna, hemisferična oblika, a, kako izvještavaju antički autori, mogle su biti izrađene od zlata, srebra, bronce i fine keramike. Osim toga, *acetabulum* je bio rimska mjerna jedinica (1 *acetabulum* = ¼ hermina = 1/8 sekstarij = 0,068 litre = 2 ½ rimske unce = 68,2 grama).<sup>68</sup>

Zdjelica iz Žrnovnice (kat. br. 45), koja je bila popravljena možda čak u antici, svojim bi oblikom odgovarala tipu *Eggers* 111,<sup>69</sup> te, uz iznimku prstenastog dna, ima analogiju s dvjema zdjelicama pronađenima na lokalitetu Nida - Heddernheim, datiranim na razmeđu 2. i 3. st. po. Kr.<sup>70</sup>

### Tanjur

Tanjur uvijena oboda i prstenaste noge (kat. br. 46) nema nikakve podatke o arheološkom kontekstu u kojem je pronađen. Svojim oblikom djelomično bi odgovarao tipu *Eggers* 117, datiranim u 3. i 4. st. po. Kr.,<sup>71</sup> a gotovo je identičan tanjuru koji se danas nalazi u S. Apollinare con Selva.<sup>72</sup> Nalaz je pronađen u jednoj nekropoli iz 1. - 2. st. po. Kr., uz druge priloge, većinom staklene, čijom je analizom određena datacija.<sup>73</sup> Takav tip tanjura, bez tragova ručki, bio je jako rijedak u Pompejima te na području Italije i Sjevernih Alpa, a zbog jako malog broja nalaza ne zna se gdje su se nalazile njihove radionice.<sup>74</sup>

found in Croatia at the Sopje-Bataluša site.<sup>65</sup> Imitations of this type of vessel were found in various materials. They were mentioned by Hans Ulrich Nuber when analyzing not only such bronze sets but also those made of silver, glass, alabaster and ceramic.<sup>66</sup> Their predecessors were found in Egypt in the third millennia BC, from which the Hellenistic and then later the Roman types were derived.<sup>67</sup>

### Cup (Lat. *acetabulum*)

A frequently present form of vessel on Roman tables was the cup, or *acetabulum*, whose name suggests that it held vinegar, preferred by both the Greek and Romans. Besides vinegar, these cups were probably used to serve fish sauce and other delicacies. The vessels were simple, hemispherical in shape, and as reported by ancient writers, they may have been made of gold, silver, bronze and *terra sigillata*. The *acetabulum* was additionally a Roman unit of measurement (1 *acetabulum* = ¼ hermina = 1/8 sextar = 0.068 litre = 2 ½ Roman ounces = 68.2 grams).<sup>68</sup>

The cup from Žrnovnica (cat. no. 44), which was repaired perhaps even in Antiquity, has a shape which would correspond to *Eggers* type 111<sup>69</sup>, and with the exception of the ring-shaped base, it has analogies in two cups found at the Nida-Heddernheim site, dated to the boundary between the second and third centuries AD.<sup>70</sup>

### Plate

The plate with curved rim and ring-shaped foot (cat. no. 46) is accompanied by no data on the archaeological context of its discovery. Its shape partially corresponds to *Eggers* type 117, dated to the third and fourth centuries AD,<sup>71</sup> and it is almost identical to the plate today located in S. Apollinare con Selva.<sup>72</sup> It was discovered in a necropolis dated to the first/second centuries AD with other goods, mostly made of glass, an analysis of which would determine their dating.<sup>73</sup> This plate type, without traces of a handle, was very rare in Pompeii and in the territory of Italy and the Northern Alps, and due to the very small number of finds the location of their workshop is not known.<sup>74</sup>

65 Zahvaljujem dr. sc. Ivanu Radmanu Livaji iz Arheološkog muzeja u Zagrebu na srdačnoj pomoći kao i na informaciji o ovom neobjavljenom materijalu koji je u pripremi za tisak. Izvješće o restauraciji i konzervaciji ovih posuda dao je Ivan Gagro, preparator Arheološkog muzeja u Zagrebu na izložbi *Tekuća arheološka istraživanja '09.*, autora dr. sc. Jacqueline Balen i mr. sc. Sanjina Mihelića.

66 Nuber 1973, str. 1.

67 Breščak 1982, str. 23.

68 Kohlert-Németh 1990, str. 78.

69 Eggers 1951, T. 11., sl. 111.

70 Kohlert-Németh 1990, str. 78.

71 Eggers 1951, T. 11., sl. 117.

72 Bolla 1994, str. 52.

73 Bolla 1994, str. 52.

74 Bolla 1994, str. 52.

65 I would like to thank Ivan Radman-Livaja, Ph.D., from the Archaeological Museum in Zagreb for his gracious assistance and information on this unpublished material which is currently in preprint preparation. The report on restoration and conservation of these vessels was compiled by Ivan Gagro, a preparator at the Archaeological Museum in Zagreb for the exhibition "Current Archaeological Research '09", set up by Jacqueline Balen and Sanjin Mihelić.

66 Nuber 1973, p. 1.

67 Breščak 1982, p. 23.

68 Kohlert-Németh 1990, p. 78.

69 Eggers 1951, P. 11, Fig. 111.

70 Kohlert-Németh 1990, p. 78.

71 Eggers 1951, P. 11., Fig. 117.

72 Bolla 1994, p. 52.

73 Bolla 1994, p. 52.

74 Bolla 1994, p. 52.





Slika 10.  
Tiganj (foto: T. Seser)

Figure 10.  
Pan (photo: T. Seser)

### Tiganj

Tiganj (kat. br. 47) pravokutnog oblika s izvijenim obodom i ostatcima drške na samo jednoj bočnoj strani, pronađen je u Saloni. Upravo prema obliku približno slična analogija može se pronaći s tignjem iz tebanske ostave pronađene u ostatcima jedne spaljene kuće u Luksoru u Egiptu. Riječ je o ostavi egipatskog posuđa koja nije starija od 1. st. po. Kr.<sup>75</sup> Među različitim tipovima posuđa u ostavi se nalazi šest tiganja, a nalaz br. 254,<sup>76</sup> s jednom bočnom dugačkom drškom koja po sebi ima urezane ornamente i okrugli, perforirani završetak, odgovarao bi primjerku iz Arheološkog muzeja u Splitu.

### Zaimače (lat. *simpula*, grč. *kyathoi*)

Među različitim oblicima rimskoga stolnog posuđa zasebno mjesto zauzimaju zaimače. Rimski mjera za tekućinu, preuzeta od Grka, bila je *cyathus*, a iznosila je 1/12 sekstarija, tj. 0,0451 litru.<sup>77</sup> Vino se miješalo u krateru, a uz pomoć malenih posuda, koje su sadržavale otprilike 1 *cyathus*, pretočilo bi se u pehare iz kojih se

### Pan

The rectangular pan (cat. no. 47) with bent rim and the remains of a handle on only a single side was discovered in Salona. It is precisely its form which is roughly similar to the analogies that can be found from the Theban hoard discovered in the remains of an incinerated house in Luxor, Egypt. This is a hoard of Egyptian vessels which is not older than the first century AD.<sup>75</sup> Among the various types of vessels in the hoard, there are six pans, while no. 254,<sup>76</sup> with a single lateral, long handle which has engraved ornaments on it and a rounded, perforated end, would correspond to the example from the Archaeological Museum in Split.

### Ladles (Lat. *simpula*, Gr. *kyathoi*)

Among the various forms of Roman tableware, the ladle (*simpulum*) has a special place. A Roman liquid measure, assumed from the Greeks, was the *cyathus*, and it was 1/12 of a sextar, i.e. 0.0451 litre.<sup>77</sup> Wine was mixed in a krater, and with the help of a small vessel, which held approximately 1 *cyathus*, it was decanted into the cup from

75 Hayes 1984, str. 40.

76 Hayes 1984, str. 162.

77 Breščak 1982, str. 19.

75 Hayes 1984, p. 40.

76 Hayes 1984, p. 162.

77 Breščak 1982, p. 19.

pilo, pa su upravo po tome i dobile ime.<sup>78</sup> Zaimače su se nalazile u grobovima Etruščana datiranim u 5. st. pr. Kr., u helenizmu kod Grka imaju dugu okomitu dršku čiji je kraj formiran poput kuke sa završetkom u obliku ptičje glave, dok kod Rimljana imaju znatno kraće drške, te inačice u srebru.<sup>79</sup>

Dijele se u dvije skupine. Prvu čine one koje svojim oblikom dosta podsjećaju na kaserole, dakle imaju dvočlanu ili tročlanu vodoravnu, dugu dršku. Nastale su u kasnolatskom razdoblju, u 1. st. pr. Kr., a šire se sa sjevernoitalijskog prostora.<sup>80</sup> Drugu skupinu čine one zaimače čija je drška okomita te je na samom završetku šira, da bi se lakše mogla uhvatiti prstima, a kako se posuda vješala, često se na tom dijelu nalazi rupa, pa i nekoliko njih.

U Arheološkome muzeju u Splitu pohranjeno je 9 sačuvanih završetaka drški zaimača s ulomkom tijela, od kojih je 5 pronađeno u Saloni, 3 su s nepoznata nalazišta, a jedna je iz Ivoševaca. Sedam završetaka drški zaimača s ulomkom tijela (kat. br. 48-54) pripada tipu *Radnóti* 43, koji je čest u Panoniji (analogije s nalazima iz Emone, Siscije, Petovija i Savarije), a datiraju se od 1. do 2. st. po. Kr.<sup>81</sup> Primjerci pod kat. brojevima 52-54 opisom su identični ostalim ulomcima drški, s iznimkom rupice na sredini završetka, koja sugerira da je posuda visjela.

Tipologiju zaimača također je napravio Joakim Werner, čijem tipu Aislingen, nastalom u Augustovo vrijeme,<sup>82</sup> pripadaju muzejski primjerci. Riječ je o zaimačama koje su imale nisku nogu, a slični nalazi dio su grobnog inventara u emonskim nekropolama i na lokalitetu Drnoveg u Sloveniji.<sup>83</sup> Upravo tom tipu zaimače pripada i kat. br. 55. Također odgovara tipu *Radnóti* 44 iz 1. st. po. Kr. Osim ovog primjerka pronađenog u Saloni, takav tip pronađen je kod nas u Sisku i Osijeku.

Okrugli završetak drške zaimače (kat. br. 56), s rupičastim ukrasom i sačuvanim ulomkom tijela, s nepoznatog je nalazišta. Odgovarao bi tipu *Radnóti* 40, koji se datira u klaudijevsko vrijeme. Takvom tipu pripadaju dva dobro sačuvana primjerka iz Siska koja se čuvaju u Arheološkome muzeju u Zagrebu.<sup>84</sup>

## Ručke posuda

U Arheološkome muzeju u Splitu čuvaju se ručke različitih posuda (kat. br. 57-71). Ovakve brončane ručke dosad nemaju utvrđenu ni definiranu tipologiju. Osim toga, njihova je namjena i rasprostranjenost iznimno široka. Koristile su se ne samo kao ručke

which it was drunk, so this is how they acquired their name.<sup>78</sup> Ladles were found in Etruscan graves dated to the fifth century BC, while among the Greeks during the Hellenistic period they had long, vertical handles with ends formed like hooks shaped like a bird's head, while the Romans had a considerably shorter handle and a version in silver.<sup>79</sup>

They are divided into two groups. The first consists of those with forms that truly recall trullae, i.e. they have a two- or three-part horizontal, long handle. They emerged in the late La Tène period, in the first century BC, and they spread from the Northern Italic territory.<sup>80</sup> The second group consists of those ladles with vertical handles that are wider at the very end, so they can be more easily grasped with the fingers, and since the vessel was hung, there was often one or more holes on this part.

The Archaeological Museum in Split holds 9 preserved ends of ladle handles with a piece of the body, of which 5 were discovered in Salona, 3 are from unknown find-sites, and 1 is from Ivoševci. Seven ladle handle ends with fragments of the body (cat. no. 48-54) belong to *Radnóti* type 43, which is frequent in Pannonia (analogies with finds from Aemona, Siscia, Poetovio and Savaria), and dated from the first to second centuries AD.<sup>81</sup> Cat. no. 52-54 are identical in terms of description to the remaining handle fragments with the exception of the hole in the middle of the end, which suggests that the vessel was hung.

A typology of ladles was also compiled by Joakim Werner, to whose Aislingen type, which emerged during the Augustan era,<sup>82</sup> the museum examples belong. These are ladles that had low feet, and similar finds were part of the grave goods in the Aemona necropolises and at the Drnoveg site in Slovenia.<sup>83</sup> It is to precisely this ladle type that cat. no. 55 also belongs. It also corresponds to *Radnóti* type 44 from the first century AD. Besides this example found in Salona, this type was found in Croatia, in Sisak and Osijek.

The round ladle end (cat. no. 56), with holed ornament and preserved body fragment, is from an unidentified site. It would correspond to *Radnóti* type 40, which is dated to the Claudian era. Two well-preserved examples from Sisak, held in the Archaeological Museum in Zagreb, belong to this type.<sup>84</sup>

## Vessel handles

Handles for a variety of vessels (cat. no. 57-71) are also held in the Archaeological Museum in Split. These bronze handles thus far have no established typology. Additionally, their use and distribution are quite broad. They were used not only as vessel handles, but also

78 Hoffiller 1903-1904, str. 115.

79 Hayes 1984, str. 40.

80 Breščak 1982, str. 20.

81 Radnóti 1938, str. 102.

82 Castoldi, Feugère 1991, str. 87.

83 Breščak 1982, str. 20.

84 Radnóti 1938, str. 100-103.

78 Hoffiller 1903-1904, p. 115.

79 Hayes 1984, p. 40.

80 Breščak 1982, p. 20.

81 Radnóti 1938, p. 102.

82 Castoldi, Feugère 1991, p. 87.

83 Breščak 1982, p. 20.

84 Radnóti 1938, pp. 100-103.

posuda nego i kao ručke zrcala,<sup>85</sup> tintarnica,<sup>86</sup> dijelovi namještaja,<sup>87</sup> škrinja, kovčežica<sup>88</sup> te za vješanje brončanih ili staklenih balzamarija,<sup>89</sup> pa nisu pogodne za preciznu dataciju. Većinom su polukružna oblika, stanjenih krajeva s koničnim završetkom, u obliku puceta (kat. br. 57 i 58), u obliku masline (kat. br. 59 i 60) ili jednostavno u obliku slova U (kat. br. 61-70). Najčešće su se nalazile na manjim ili većim situlama, ovisno o njihovim mjerama, a prisutne su u cijelom Rimskom Carstvu. Ručka pod kat. br. 71 ima završetke u obliku stiliziranih ptičjih glava, a takvi oblici ručki posuda pronađeni su u Pompejima, te su bili iznimno rašireni na Apeninskom poluotoku. Započeli su se proizvoditi u ranom Carstvu. Tipični su za 1. i 2. st. po. Kr., ali je njihov kontinuitet uporabe zaista dug.<sup>90</sup>

### Zaključak

Brončano posuđe iz Arheološkog muzeja u Splitu prvi je put sustavno obrađeno. Riječ je o kuhinjskom i stolnom posuđu u kojem su Rimljani kuhali, čuvali ili posluživali hranu i tekućine. Kataloški su obrađene: kaserole i njihove nožice, patere, različiti tipovi vrčeva i njihovih ručki, zdjelica, tanjur, tiganj, drške zaimača te ručke različitih posuda.

Za tipologiju i kronologiju rimskoga brončanog posuđa vrlo su bitne drške posuda, posebno oblici i ukrasi njihovih završetaka. Budući da dvije kaserole (kat. br. 1 i 2) nemaju sačuvane drške, njihovu je dataciju teško precizno odrediti. S druge strane, pečatirana drška kaserole (kat. br. 3) daje točne podatke o majstoru, radionici i vremenu u kojem je izrađena. Kaserole su često na dnu imale nožice u obliku pelte, a njih 25 obrađeno je u katalogu i sistematizirano po razvojnim oblicima (kat. br. 4-29). Također, ručke vrčeva s različito oblikovanim završetcima te aplikama na njihovim krajevima, osim što su pokazatelji razvoja pojedinih tipova vrčeva, imaju bitnu ulogu u njihovoj dataciji. Vrč s trilobnim izljevom (kat. br. 29) na gornjem dijelu ručke ima stiliziranog lava, a na donjem dijelu apliku u obliku ženskog lika. Ručke koje su na krajevima imale završetke u obliku ljudskog lika (kat. br. 32-35) nalazile su se na različitim vrčevima širom Carstva najviše tijekom 2. i 3. st. po. Kr. S druge strane, ručke čiji završeci imaju oblik stiliziranih ptica (kat. br. 31, 36 i 37) imaju kontinuitet od kasnorepublikanskog vremena sve do 7. st. po. Kr. Osim antropomorfnih i zoomorfnih završetaka, na vrčevima su se često pojavljivale ručke čiji su krajevi završavali u obliku stilizirane noge ili ruke (kat. br. 30).

Vrčevi su bili dio stolnog posuđa, a njihova primarna namjena bila je čuvanje i serviranje tekućina, najčešće vina, ili pak ritualno pranje. Ipak, u grobovima širom Carstva neki tipovi vrčeva, poput

as handles for mirrors,<sup>85</sup> inkpots,<sup>86</sup> parts of furniture,<sup>87</sup> chests, small cases,<sup>88</sup> and to hang bronze or glass balsamaria,<sup>89</sup> so they were not suitable for precise dating. Most of them are semi-circular, most with thin ends which can be button-shaped, or conical (cat. no. 57 and 58), olive-shaped (cat. no. 59 and 60) or simply shaped like the letter U (cat. no. 61-70). They were most often found in smaller or larger situlae, depending on their measurements, and they were present everywhere in the Roman Empire. Cat. no. 71 has ends shaped liked stylized bird heads, and such vessel handle shapes were found in Pompeii, and were quite widespread on the Italian peninsula. Their production commenced in the early Empire. They were typical of the first and second centuries AD, but their continuity of use is truly long.<sup>90</sup>

### Conclusion

The bronze vessels from the Archaeological Museum in Split are here systematically analyzed for the first time. These consist of kitchen- and tableware in which the Romans cooked, kept and served food and liquids. They are catalogued: trullae and their feet, paterae, various types of jugs and their handles, a cup, a plate, a pan, ladle handles and handles for various vessels.

Handles are vital to the typology and dating of Roman bronze vessels, particularly the shape and ornaments on their ends. Since two trullae (cat. no. 1 and 2) do not have handles, their dating is difficult to determine with precision. On the other hand, the stamped trulla handle (cat. no. 3) provides data on the master, the workshop and the time in which it was made. Trullae often had pelta-shaped feet, and 25 of these are covered in the catalogue and systemized based on developmental forms (cat. no. 4-29). Also, jug handles with differently formed ends and appliqués on these ends, besides being indicators of the development of individual jug types, play a vital role in their dating. The jug with trilobate spout (cat. no. 29) on the upper portion of the handle has a stylized lion, while on the lower part there is an appliqué shaped like a female figure. The handles which had ends shaped like the human figure (cat. no. 32-35) were found on various jugs throughout the Empire, mostly during the second and third centuries AD. On the other hand, handles with ends shaped liked stylized birds (cat. no. 31, 36 and 37) have a continuity from the Late Republic period, until the seventh century AD. Besides anthropomorphic and zoomorphic ends, jugs also had handles with ends shaped like stylized feet or hands (cat. no. 30).

Jugs were a component of tableware, and their primary use was to hold and serve liquids, mostly wine, or they were used for ritual ablutions. Nonetheless, in graves throughout the Empire,

85 Hayes 1984, str. 191.

86 Hayes 1984, str. 168.

87 Košćević 2000, str. 136.

88 Göricke-Lukić 2006, str. 60.

89 Ivčević 2003, str. 146.

90 Gambacurta, Brustia 2001, str. 248.

85 Hayes 1984, p. 191.

86 Hayes 1984, p. 168.

87 Košćević 2000, p. 136.

88 Göricke-Lukić 2006, p. 60.

89 Ivčević 2003, p. 146.

90 Gambacurta, Brustia 2001, p. 248.

onog kat. br. 29, s očitom helenističkom tradicijom, pronalazili su se u kombinaciji s paterom, što daje naslutiti da je takav set imao određenu ulogu u pogrebnom ritualu. Patere su također imale različito oblikovane završetke drški, najčešće u obliku ovna (kat. br. 43) ili psa (kat. br. 44).

Hrana i tekućine čuvale su se u amforama (kat. br. 40), a vruća voda vjerojatno se čuvala u limenim posudama *Blachkannen*. Takva loše očuvana antička *thermosica* (kat. br. 41), kao i ulomak vrata istog tipa posude (kat. br. 42), čuva se u depou Arheološkog muzeja u Splitu.

Od ostalog stolnog posuđa obrađeni su zdjelica (kat. br. 45) i tanjur (kat. br. 46), dok bi u skupinu kuhinjskog posuđa ulazili tiganj (kat. br. 47) te ulomci drški zaimača (kat. br. 48-56).

Posljednji dio kataloga (kat. br. 57-71) posvećen je ručkama koje su se mogle nalaziti na različitim tipovima rimskih brončanih posuda, ali i na drvenim škrinjama, zrcalima, tintarnicama i balzamarijima. Bile su raširene po čitavom Rimskom Carstvu i nisu pogodne za preciznu dataciju.

Sve kataloški obrađene posude pronađene su mahom na srednjodalmatinskim lokalitetima, no za većinu nedostaju podatci o arheološkom kontekstu i nalazištu na kojem su pronađeni. Veći dio posuda datira se u sam početak Rimskog Carstva, dakle u 1. st. po. Kr., a samo poneka u srednjocararsko vrijeme ili pak 4. st. po. Kr. (kat. br. 41 i 42).

Iako je riječ o stolnom i kuhinjskom posuđu, neki tipovi posuda, primjerice kaserole i patere, znale su se nalaziti u termama, kao dio toaletnog pribora.

## Katalog\*

### Kaserole (lat. *trullae*)

1. Kaserola, inv. br. H 150  
Mjere: pr. oboda 11,3 cm, duž. 13,2 cm, vis. 5,7 cm, tež. 215,34 g.  
Opis: Oštećena kaserola oboda izvijenog prema van, ispod oboda ukrašena vrpčastim ukrasom širinom čitavog tijela; nedostaje veći dio drške pravokutnog presjeka.  
Nalazište: Salona.  
Datacija: 1. - 3. st.  
Literatura: Ratković 2005, str. 117, sl. 55; Ciurletti 1998, str. 70, sl. 17; Bolla 1994, T. XXXV. 44; Eggers 1951, T. 12. 137. 138.
2. Kaserola, inv. br. AMS-70030  
Mjere: pr. oboda 11,8 cm, duž. 16,75 cm, vis. 5 cm, tež. 255,86 g.  
Opis: plitka kaserola oboda izvijenog prema van, drška pravokutnog presjeka sužava se prema kraju, izrazito kratka (oštećena?); prstenasto dno.  
Nalazište: nepoznato.  
Datacija: 1. - 3. st.  
Literatura: Bolla 1994, T. XXVI., sl. 33; Eggers 1951, T. 12. 143.

some jug types, such as that under cat. no. 29, with an obvious Hellenistic tradition, were found in combination with paterae, which indicates that such a set played a role in funeral rites. Paterae also had differently formed handle ends, most often in the shape of a ram (cat. no. 43) or dog (cat. no. 44).

Food and liquids were also held in amphorae (cat. no. 40), while hot water was probably kept in tin vessels, *Blachkannen*. Such a poorly preserved ancient "Thermos" (cat. no. 41), like a fragment of the same type of vessel (cat. no. 42) is held in the storage depot of the Archaeological Museum in Split.

Among the remaining tableware, a cup (cat. no. 45) and plate (cat. no. 46) are analyzed, while the pan (cat. no. 47) and fragments of ladle handles (cat. no. 48-56) would fall among the kitchenware.

The last part of the catalogue (cat. no. 57-71) is dedicated to handles which could be found on various types of Roman vessels, but also on wooden chests, mirrors, inkpots and balsamaria. They were widespread throughout the Roman Empire and they are not suited to precise dating.

All of the catalogued vessels were mainly found at Central Dalmatian sites, but most are lacking data on their archaeological context and their find-sites. Most vessels date to the very beginning of the Roman Empire, i.e. the first century AD, while only a few date to the middle imperial period or the fourth century (cat. no. 41 and 42).

Even though these are tableware and kitchenware, some vessel types, such as the *trullae* and *paterae*, could also be found at baths for use as toiletry accessories.

## Catalogue\*<sup>91</sup>

### Trullae

1. Trulla, inv. no. H 150  
Dimensions: rim dia. 11.3 cm, l. 13.2 cm, h. 5.7 cm, wt. 215.34 g.  
Description: damaged trulla with outwardly curved rim, decorated below rim with band-like ornament across entire width of body, missing part of handle with rectangular cross-section.  
Find-site: Salona.  
Dating: 1<sup>st</sup>-3<sup>rd</sup> cent.  
References: Ratković 2005, p. 117, Fig. 55; Ciurletti 1998, p. 70, Fig. 17; Bolla 1994, P. XXXV. 44; Eggers 1951, P. 12. 137. 138.
2. Trulla, inv. no. AMS-70030  
Dimensions: rim dia. 11.8 cm, l. 16.75 cm, h. 5 cm, wt. 255.86 g.  
Description: shallow trulla with outwardly curved rim, handle with rectangular cross-section narrows toward end, very short (damaged?), ring-shaped base.  
Find-site: unknown.  
Dating: 1<sup>st</sup>-3<sup>rd</sup> cent.  
References: Bolla 1994, P. XXVI., Fig. 33; Eggers 1951, P. 12. 143.

\* Kataloški broj predmeta odgovara broju slike na tabli.

\* The item catalogue numbers correspond to the figure numbers on the plates.

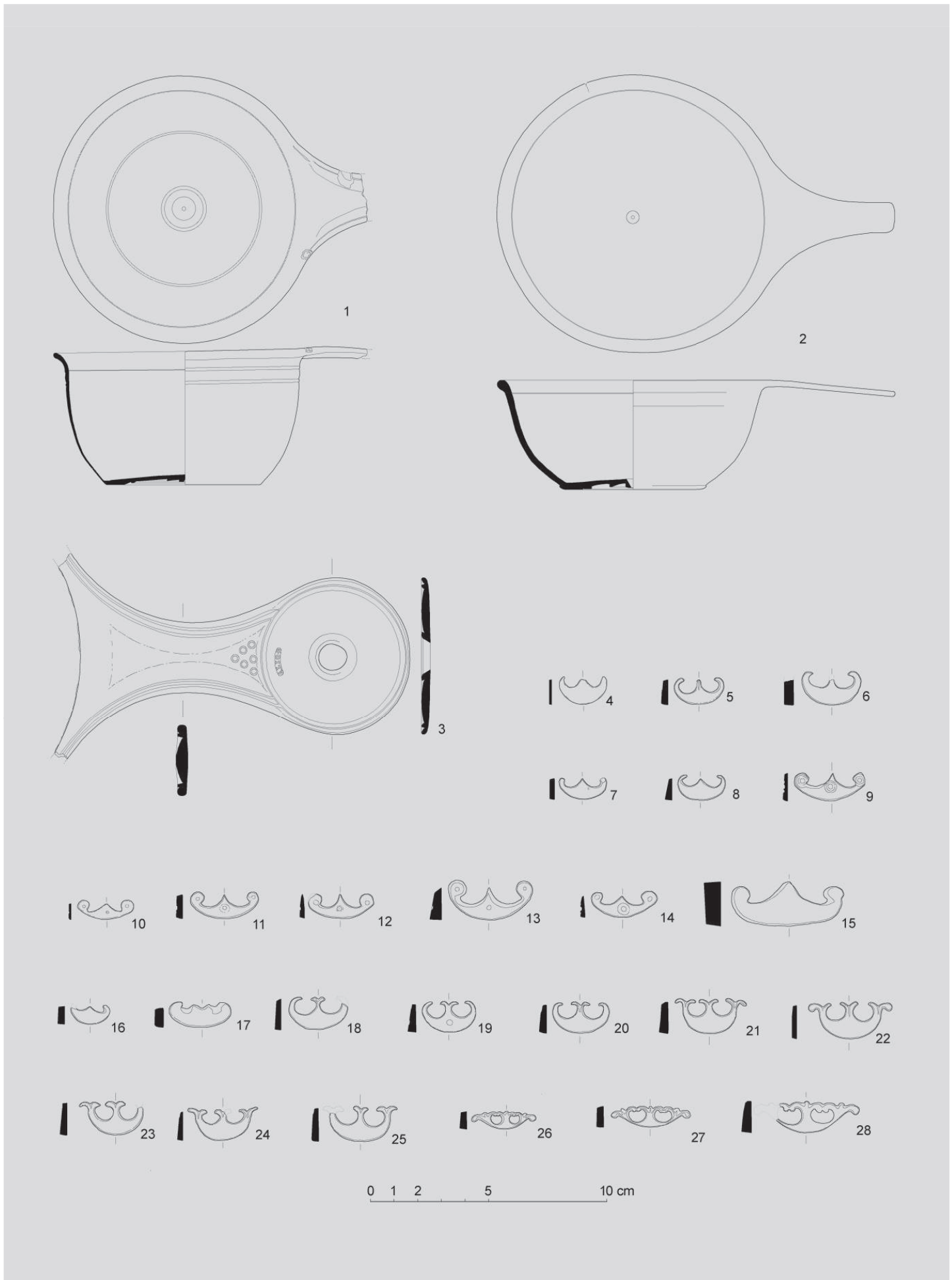


Tabla 1.

Plate 1.

3. Ručka kaserole, inv. br. H 4260  
Mjere: duž. 14,45 cm, šir. 8,7 cm, tež. 187,18 g.  
Opis: diskoidna drška kaserole ukrašena sa šest koncentrično urezanih kružnica koje formiraju trokut, kružnog, perforiranog završetka na kojem se nalazi djelomično vidljiv pečat [T]ALIO [F].  
Nalazište: Kijevo.  
Datacija: 2. st.  
Literatura: Milošević 2009, str. 178, sl. 18; Natuniewicz-Sekuła, Okulicz-Kozaryn 2008, str. 261, sl. 18, br. 4; Breščak 1982, T. 2. 18; Eggers 1951, T. 12. 142; Radnóti 1938, T. XXI. 6; Willers 1907, str. 90.

#### Nožice posuda u obliku pelte

4. Nožica posude, inv. br. H 2475  
Mjere: duž. 2 cm, vis. 1,4 cm, tež. 0,97 g.  
Opis: jednostavna nožica posude u obliku pelte.  
Nalazište: Gardun, kupljeno god.1889.  
Datacija: kraj 1. st. pr. Kr. - 1. st. po. Kr.  
Literatura: Koščević 2000, str. 138, kat. br. 248; Deimel 1987, T. 11. 16; Holliger, Holliger 1985, str. 63, T. 5. 45; Radnóti 1938, T. XV. 3.
5. Nožica posude, inv. br. H 861  
Mjere: duž. 2,1 cm, vis. 1,2 cm, tež. 2,21 g.  
Opis: jednostavna nožica posude u obliku pelte.  
Nalazište: Salona.  
Datacija: kraj 1. st. pr. Kr. - 1. st. po. Kr.  
Literatura: Koščević 2000, str. 138, sl. 248; Deimel 1987, T. 11. 16; Holliger, Holliger 1985, str. 63. T. 5. 45; Radnóti 1938, T. XV. 3.
6. Nožica posude, inv. br. H 2484  
Mjere: duž. 2,45 cm, vis. 1,5 cm, tež. 5,08 g.  
Opis: jednostavna nožica posude u obliku pelte.  
Nalazište: Gardun, kupljeno god.1889.  
Datacija: kraj 1. st. pr. Kr. - 1. st. po. Kr.  
Literatura: Koščević 2000, str. 138, sl. 248; Deimel 1987, T. 11. 16; Holliger, Holliger 1985, str. 63. T. 5. 45; Radnóti 1938, T. XV. 3.
7. Nožica posude, inv. br. AMS-41006  
Mjere: duž. 2 cm, vis. 1 cm, tež. 1,82 g.  
Opis: jednostavna nožica posude u obliku pelte.  
Nalazište: nepoznato.  
Datacija: kraj 1. st. pr. Kr. - 1. st. po. Kr.  
Literatura: Deimel 1987, T. 11. 16; Holliger, Holliger 1985, str. 63, T. 5. 45; Breščak 1982, T. 2. 15.
8. Nožica posude, inv. br. AMS-41007  
Mjere: duž. 2 cm, vis. 1,1 cm, tež. 2,63 g.  
Opis: jednostavna nožica posude u obliku pelte.  
Nalazište: nepoznato.  
Datacija: kraj 1. st. pr. Kr. - 1. st. po. Kr.  
Literatura: Deimel 1987, T. 11. 16; Holliger, Holliger 1985, str. 63, T. 5. 45; Breščak 1982, T. 2. 15; Radnóti 1938, T. XV. 3.

3. Trulla handle, inv. no. H 4260  
Dimensions: l. 14.45 cm, wid. 8.7 cm, wt. 187.18 g.  
Description: discoid trulla handle decorated with six concentrically engraved circlets forming a triangle; circular, perforated end on which stamp [T]ALIO [F] is partially visible.  
Find-site: Kijevo.  
Dating: 2<sup>nd</sup> cent.  
References: Milošević 2009, p. 178, Fig. 18.; Natuniewicz-Sekuła, Okulicz-Kozaryn 2008, p. 261, Fig. 18, no. 4; Breščak 1982, P. 2. 18; Eggers 1951, P. 12. 142; Radnóti 1938, P. XXI. 6; Willers 1907, p. 90.

#### Pelta-shaped vessel feet

4. Vessel foot, inv. no. H 2475  
Dimensions: l. 2 cm, h. 1.4 cm, wt. 0.97 g.  
Description: simple pelta-shaped vessel foot.  
Find-site: Gardun, purchased in 1889.  
Dating: end of 1<sup>st</sup> cent. BC-1<sup>st</sup> cent.  
References: Koščević 2000, p. 138, cat. no. 248; Deimel 1987, P. 11. 16; Holliger, Holliger 1985, p. 63, P. 5. 45; Radnóti 1938, P. XV. 3.
5. Vessel foot, inv. no. H 861  
Dimensions: l. 2.1 cm, h. 1.2 cm, wt. 2.21 g.  
Description: simple pelta-shaped vessel foot.  
Find-site: Salona.  
Dating: end of 1<sup>st</sup> cent. BC-1<sup>st</sup> cent.  
References: Koščević 2000, p. 138, Fig. 248; Deimel 1987, P. 11. 16; Holliger, Holliger 1985, p. 63. P. 5. 45; Radnóti 1938, P. XV. 3.
6. Vessel foot, inv. no. H 2484  
Dimensions: l. 2.45 cm, h. 1.5 cm, wt. 5.08 g.  
Description: simple pelta-shaped vessel foot.  
Find-site: Gardun, purchased in 1889.  
Dating: end of 1<sup>st</sup> cent. BC-1<sup>st</sup> cent.  
References: Koščević 2000, p. 138, Fig. 248; Deimel 1987, P. 11. 16; Holliger, Holliger 1985, p. 63. P. 5. 45; Radnóti 1938, P. XV. 3.
7. Vessel foot, inv. no. AMS-41006  
Dimensions: l. 2 cm, h. 1 cm, wt. 1.82 g.  
Description: simple pelta-shaped vessel foot.  
Find-site: unknown.  
Dating: end of 1<sup>st</sup> cent. BC-1<sup>st</sup> cent.  
References: Deimel 1987, P. 11. 16; Holliger, Holliger 1985, p. 63, P. 5. 45; Breščak 1982, P. 2. 15.
8. Vessel foot, inv. no. AMS-41007  
Dimensions: l. 2 cm, h. 1.1 cm, wt. 2.63 g.  
Description: simple pelta-shaped vessel foot.  
Find-site: unknown.  
Dating: end of 1<sup>st</sup> cent. BC-1<sup>st</sup> cent.  
References: Deimel 1987, P. 11. 16; Holliger, Holliger 1985, p. 63, P. 5. 45; Breščak 1982, P. 2. 15; Radnóti 1938, P. XV. 3.

9. Nožica posude, inv. br. H 1215  
Mjere: duž. 2,95 cm, vis. 1,2 cm, tež. 2,51 g.  
Opis: jednostavna nožica posude u obliku pelte sa zadebljanim krajevima ukrašena trima utisnutim koncentričnim kružnicama.  
Nalazište: Gardun, kupljeno god. 1884.  
Datacija: kraj 1. st. pr. Kr. - 1. st.  
Literatura: Deimel 1987, T. 11. 18; Holliger, Holliger 1985, str. 63, T. 5. 46; Breščak 1982, T. 1. 3; Radnóti 1938, T. XV. 2b.
9. Vessel foot, inv. no. H 1215  
Dimensions: l. 2.95 cm, h. 1.2 cm, wt. 2.51 g.  
Description: simple pelta-shaped vessel foot with thickened ends decorated by three impressed concentric circlets.  
Find-site: Gardun, purchased in 1884.  
Dating: end of 1<sup>st</sup> cent. BC-1<sup>st</sup> cent.  
References: Deimel 1987, P. 11. 18; Holliger, Holliger 1985, p. 63, P. 5. 46; Breščak 1982, P. 1. 3; Radnóti 1938, P. XV. 2b.
10. Nožica posude, inv. br. H 2476  
Mjere: duž. 2,35 cm, vis. 0,8 cm, tež. 0,72 g.  
Opis: jednostavna nožica posude u obliku pelte sa zadebljanjima na krajevima.  
Nalazište: Gardun, kupljeno god. 1889.  
Datacija: kraj 1. st. pr. Kr. - 1. st. po. Kr.  
Literatura: Deimel 1987, T. 11. 17; Holliger, Holliger 1985, str. 63, T. 5. 46; Breščak 1982, T. 1. 3.
10. Vessel foot, inv. no. H 2476  
Dimensions: l. 2,35 cm, h. 0.8 cm, wt. 0.72 g.  
Description: simple pelta-shaped vessel foot with thickened ends.  
Find-site: Gardun, purchased in 1889  
Dating: end of 1<sup>st</sup> cent. BC-1<sup>st</sup> cent.  
References: Deimel 1987, P. 11. 17; Holliger, Holliger 1985, p. 63, P. 5. 46; Breščak 1982, P. 1. 3.
11. Nožica posude, inv. br. H 862  
Mjere: duž. 2,85 cm, vis. 1,2 cm, tež. 2,80 g.  
Opis: jednostavna nožica posude u obliku pelte sa zadebljanim krajevima ukrašena trima utisnutim koncentričnim kružnicama.  
Nalazište: Salona.  
Datacija: kraj 1. st. pr. Kr. - 1. st. po. Kr.  
Literatura: Deimel 1987, T. 11. 18; Holliger, Holliger 1985, str. 63, T. 5. 46; Breščak 1982, T. 1. 3; Radnóti 1938, T. XV. 2b.
11. Vessel foot, inv. no. H 862  
Dimensions: l. 2.85 cm, h. 1.2 cm, wt. 2.80 g.  
Description: simple pelta-shaped vessel foot with thickened ends decorated by three impressed concentric circlets.  
Find-site: Salona.  
Dating: end of 1<sup>st</sup> cent. BC-1<sup>st</sup> cent.  
References: Deimel 1987, P. 11. 18; Holliger, Holliger 1985, p. 63, P. 5. 46; Breščak 1982, P. 1. 3; Radnóti 1938, P. XV. 2b.
12. Nožica posude, inv. br. AMS-40805  
Mjere: duž. 1,15 cm, vis. 2,8 cm, tež. 2,10 g.  
Opis: jednostavna nožica posude u obliku pelte sa zadebljanim krajevima ukrašena trima utisnutim koncentričnim kružnicama.  
Nalazište: nepoznato.  
Datacija: kraj 1. st. pr. Kr. - 1. st. po. Kr.  
Literatura: Deimel 1987, T. 11. 18; Holliger, Holliger 1985, str. 63, T. 5. 46; Breščak 1982, T. 1. 3; Radnóti 1938, T. XV. 2b.
12. Vessel foot, inv. no. AMS-40805  
Dimensions: l. 1.15 cm, h. 2.8 cm, wt. 2.10 g.  
Description: simple pelta-shaped vessel foot with thickened ends decorated by three impressed concentric circlets.  
Find-site: unknown.  
Dating: end of 1<sup>st</sup> cent. BC-1<sup>st</sup> cent.  
References: Deimel 1987, P. 11. 18; Holliger, Holliger 1985, p. 63, P. 5. 46; Breščak 1982, P. 1. 3; Radnóti 1938, P. XV. 2b.
13. Nožica posude, inv. br. H 858  
Mjere: duž. 3,65 cm, vis. 1,6 cm, tež. 10,40 g.  
Opis: jednostavna nožica posude u obliku pelte sa zadebljanim krajevima.  
Nalazište: Salona.  
Datacija: kraj 1. st. pr. Kr. - 1. st. po. Kr.  
Literatura: Deimel 1987, T. 11. 17; Holliger, Holliger 1985, str. 63, T. 5. 46; Breščak 1982, T. 1. 3.
13. Vessel foot, inv. no. H 858  
Dimensions: l. 3.65 cm, h. 1.6 cm, wt. 10.40 g.  
Description: simple pelta-shaped vessel foot with thickened ends.  
Find-site: Salona.  
Dating: end of 1<sup>st</sup> cent. BC-1<sup>st</sup> cent.  
References: Deimel 1987, P. 11. 17; Holliger, Holliger 1985, p. 63, P. 5. 46; Breščak 1982, P. 1. 3.
14. Nožica posude, inv. br. AMS-40976  
Mjere: duž. 2,7 cm, vis. 1,2 cm, tež. 1,84 g.  
Opis: jednostavna nožica posude u obliku pelte sa zadebljanim krajevima, ukrašena trima utisnutim koncentričnim kružnicama.  
Nalazište: nepoznato.  
Datacija: kraj 1. st. pr. Kr. - 1. st. po. Kr.  
Literatura: Deimel 1987, T. 11. 18; Holliger, Holliger 1985, str. 63, T. 5. 46; Breščak 1982, T. 1. 3; Radnóti 1938, T. XV. 2b.
14. Vessel foot, inv. no. AMS-40976  
Dimensions: l. 2.7 cm, h. 1.2 cm, wt. 1.84 g.  
Description: simple pelta-shaped vessel foot with thickened ends decorated by three impressed concentric circlets.  
Find-site: unknown.  
Dating: end of 1<sup>st</sup> cent. BC-1<sup>st</sup> cent.  
References: Deimel 1987, P. 11. 18; Holliger, Holliger 1985, p. 63, P. 5. 46; Breščak 1982, P. 1. 3; Radnóti 1938, P. XV. 2b.

15. Nožica posude, inv. br. H 1564  
Mjere: duž. 4,65 cm, vis. 1,9 cm, tež. 23,86 g.  
Opis: jednostavna nožica posude u obliku pelte sa zadeljanim krajevima.  
Nalazište: Salona, kupljeno god.1886.  
Datacija: kraj 1. st. pr. Kr. - 1. st. po. Kr.  
Literatura: Deimel 1987, T. 11. 17; Holliger, Holliger 1985, str. 63, T. 5. 44; Breščak 1982, T. 1. 3.
15. Vessel foot, inv. no. H 1564  
Dimensions: l. 4.65 cm, h. 1.9 cm, wt. 23.86 g.  
Description: simple pelta-shaped vessel foot with thickened ends.  
Find-site: Salona, purchased in 1886  
Dating: end of 1<sup>st</sup> cent. BC-1<sup>st</sup> cent.  
References: Deimel 1987, P. 11. 17; Holliger, Holliger 1985, p. 63, P. 5. 44; Breščak 1982, P. 1. 3.
16. Nožica posude, inv. br. AMS-40809  
Mjere: duž. 1,7 cm, vis. 1 cm, tež. 1,47 g.  
Opis: jednostavna nožica posude u obliku pelte sa zadeljanim krajevima.  
Nalazište: nepoznato.  
Datacija: kraj 1. st. pr. Kr. - 1. st. po. Kr.  
Literatura: Deimel 1987, T. 11. 17; Holliger, Holliger 1985, str. 63, T. 5. 44; Breščak 1982, T. 1. 3.
16. Vessel foot, inv. no. AMS-40809  
Dimensions: l. 1.7 cm, h. 1 cm, wt. 1.47 g.  
Description: simple pelta-shaped vessel foot with thickened ends.  
Find-site: unknown.  
Dating: end of 1<sup>st</sup> cent. BC-1<sup>st</sup> cent.  
References: Deimel 1987, P. 11. 17; Holliger, Holliger 1985, p. 63, P. 5. 44; Breščak 1982, P. 1. 3.
17. Nožica posude, inv. br. AMS-41203  
Mjere: duž. 2,7 cm, vis. 1,1 cm, tež. 5,12 g.  
Opis: jednostavna nožica posude u obliku pelte sa zadebljanim krajevima.  
Nalazište: nepoznato.  
Datacija: kraj 1. st. pr. Kr. - 1. st. po. Kr.  
Literatura: Deimel 1987, T. 11. 17; Holliger, Holliger 1985, str. 63, T. 5. 44; Breščak 1982, T. 1. 3.
17. Vessel foot, inv. no. AMS-41203  
Dimensions: l. 2.7 cm, h. 1.1 cm, wt. 5.12 g.  
Description: simple pelta-shaped vessel foot with thickened ends.  
Find-site: unknown.  
Dating: end of 1<sup>st</sup> cent. BC-1<sup>st</sup> cent.  
References: Deimel 1987, P. 11. 17; Holliger, Holliger 1985, p. 63, P. 5. 44; Breščak 1982, P. 1. 3.
18. Nožica posude, inv. br. H 1466  
Mjere: duž. 2,5 cm, vis. 1,4 cm, tež. 2,80 g.  
Opis: nožica posude u obliku pelte sa središnjim profiliranim krakom čiji su krajevi razdvojeni.  
Nalazište: Salona., kupljeno god.1885.  
Datacija: kraj 1. st. pr. Kr. - 1. st. po. Kr.  
Literatura: Deimel 1987, T. 11. 12; Holliger, Holliger 1985, str. 63, T. 5. 44.
18. Vessel foot, inv. no. H 1466  
Dimensions: l. 2.5 cm, h. 1.4 cm, wt. 2.80 g.  
Description: small pelta-shaped vessel foot with central articulated arm having detached ends.  
Find-site: Salona, purchased in 1885  
Dating: end of 1<sup>st</sup> cent. BC-1<sup>st</sup> cent.  
References: Deimel 1987, P. 11. 12; Holliger, Holliger 1985, p. 63, P. 5. 44.
19. Nožica posude, inv. br. AMS-40984  
Mjere: duž. 2,2 cm, vis. 1,3 cm, tež. 3,77 g.  
Opis: nožica posude u obliku pelte sa središnjim profiliranim krakom čiji su krajevi razdvojeni.  
Nalazište: nepoznato  
Datacija: kraj 1. st. pr. Kr. - 1. st. po. Kr.  
Literatura: Deimel 1987, T. 11. 12; Holliger, Holliger 1985, str. 63, T. 5. 44.
19. Vessel foot, inv. no. AMS-40984  
Dimensions: l. 2.2 cm, h. 1.3 cm, wt. 3.77 g.  
Description: small pelta-shaped vessel foot with central articulated arm having detached ends.  
Find-site: unknown  
Dating: end of 1<sup>st</sup> cent. BC-1<sup>st</sup> cent.  
References: Deimel 1987, P. 11. 12; Holliger, Holliger 1985, p. 63, P. 5. 44.
20. Nožica posude, inv. br. AMS-41004  
Mjere: duž. 2,4 cm, vis. 1,35 cm, tež. 3,15 g.  
Opis: nožica posude u obliku pelte sa središnjim profiliranim krakom čiji su krajevi razdvojeni.  
Nalazište: nepoznato.  
Datacija: kraj 1. st. pr. Kr. - 1. st. po. Kr.  
Literatura: Deimel 1987, T. 11. 12; Holliger, Holliger 1985, str. 63, T. 5. 44.
20. Vessel foot, inv. no. AMS-41004  
Dimensions: l. 2.4 cm, h. 1.35 cm, wt. 3.15 g.  
Description: small pelta-shaped vessel foot with central articulated arm having detached ends.  
Find-site: unknown.  
Dating: end of 1<sup>st</sup> cent. BC-1<sup>st</sup> cent.  
References: Deimel 1987, P. 11. 12; Holliger, Holliger 1985, p. 63, P. 5. 44.



21. Nožica posude, inv. br. AMS-40989  
Mjere: duž. 3,05 cm, vis. 1,5 cm, tež. 5,29 g.  
Opis: nožica posude u obliku pelte s razdvojenim krajevima profiliranih krakova.  
Nalazište: nepoznato.  
Datacija: kraj 1. st. pr. Kr. - 1. st. po. Kr.  
Literatura: Deimel 1987, T. 11. 11; Holliger, Holliger 1985, str. 63, T. 5. 43; Breščak 1982, T. 1. 4. 5; Radnóti 1938, T. XV. 4b.
21. Vessel foot, inv. no. AMS-40989  
Dimensions: l. 3.05 cm, h. 1.5 cm, wt. 5.29 g.  
Description: small pelta-shaped vessel foot with detached ends of articulated arms.  
Find-site: unknown.  
Dating: end of 1<sup>st</sup> cent. BC-1<sup>st</sup> cent.  
References: Deimel 1987, P. 11. 11; Holliger, Holliger 1985, p. 63, P. 5. 43; Breščak 1982, P. 1. 4. 5; Radnóti 1938, P. XV. 4b.
22. Nožica posude, inv. br. H 4214  
Mjere: duž. 3,5 cm, vis. 1,6 cm, tež. 4,08 g.  
Opis: nožica posude u obliku pelte sa razdvojenim krajevima profiliranih krakova.  
Nalazište: Gardun.  
Datacija: kraj 1. st. pr. Kr. - 1. st. po. Kr.  
Literatura: Deimel 1987, T. 11. 11; Holliger, Holliger 1985, str. 63, T. 5. 43; Breščak 1982, T. 1. 4. 5; Radnóti 1938, T. XV. 4b.
22. Vessel foot, inv. no. H 4214  
Dimensions: l. 3.5 cm, h. 1.6 cm, wt. 4.08 g.  
Description: small pelta-shaped vessel foot with detached ends of articulated arms.  
Find-site: Gardun.  
Dating: end of 1<sup>st</sup> cent. BC-1<sup>st</sup> cent.  
References: Deimel 1987, P. 11. 11; Holliger, Holliger 1985, p. 63, P. 5. 43; Breščak 1982, P. 1. 4. 5; Radnóti 1938, P. XV. 4b.
23. Nožica posude, inv. br. H 860  
Mjere: duž. 2,7 cm, vis. 1,5 cm, tež. 3,46 g.  
Opis: nožica posude u obliku pelte s razdvojenim krajevima profiliranih krakova kojoj je jedan krak oštećen.  
Nalazište: Salona.  
Datacija: kraj 1. st. pr. Kr. - 1. st. po. Kr.  
Literatura: Deimel 1987, T. 11. 11; Holliger, Holliger 1985, str. 63, T. 5. 43; Breščak 1982, T. 1. 4. 5; Radnóti 1938, T. XV. 4b.
23. Vessel foot, inv. no. H 860  
Dimensions: l. 2.7 cm, h. 1.5 cm, wt. 3.46 g.  
Description: small pelta-shaped vessel foot with detached ends of articulated arms, one arm damaged.  
Find-site: Salona.  
Dating: end of 1<sup>st</sup> cent. BC-1<sup>st</sup> cent.  
References: Deimel 1987, P. 11. 11; Holliger, Holliger 1985, p. 63, P. 5. 43; Breščak 1982, P. 1. 4. 5; Radnóti 1938, P. XV. 4b.
24. Nožica posude, inv. br. H 859  
Mjere: duž. 2,9 cm, vis. 1,4 cm, tež. 3,43 g.  
Opis: nožica posude u obliku pelte s razdvojenim krajevima profiliranih krakova, kojoj je središnji krak oštećen.  
Nalazište: Salona.  
Datacija: kraj 1. st. pr. Kr. - 1. st. po. Kr.  
Literatura: Deimel 1987, T. 11. 11; Holliger, Holliger 1985, str. 63, T. 5. 43; Breščak 1982, T. 1. 4. 5; Radnóti 1938, T. XV. 4b.
24. Vessel foot, inv. no. H 859  
Dimensions: l. 2.9 cm, h. 1.4 cm, wt. 3.43 g.  
Description: small pelta-shaped vessel foot with detached ends of articulated arms, central arm damaged.  
Find-site: Salona.  
Dating: end of 1<sup>st</sup> cent. BC-1<sup>st</sup> cent.  
References: Deimel 1987, P. 11. 11; Holliger, Holliger 1985, p. 63, P. 5. 43; Breščak 1982, P. 1. 4. 5; Radnóti 1938, P. XV. 4b.
25. Nožica posude, inv. br. AMS-40988  
Mjere: duž. 2,85 cm, vis. 1,5 cm, tež. 4,41 g.  
Opis: nožica posude u obliku pelte s razdvojenim krajevima profiliranih krakova, kojoj je jedan krak oštećen.  
Nalazište: nepoznato.  
Datacija: kraj 1. st. pr. Kr. - 1. st. po. Kr.  
Literatura: Deimel 1987, T. 11. 11; Holliger, Holliger 1985, str. 63, T. 5. 43; Breščak 1982, T. 1. 4. 5; Radnóti 1938, T. XV. 4b.
25. Vessel foot, inv. no. AMS-40988  
Dimensions: l. 2.85 cm, h. 1.5 cm, wt. 4.41 g.  
Description: small pelta-shaped vessel foot with detached ends of articulated arms, one arm damaged.  
Find-site: unknown.  
Dating: end of 1<sup>st</sup> cent. BC-1<sup>st</sup> cent.  
References: Deimel 1987, P. 11. 11; Holliger, Holliger 1985, p. 63, P. 5. 43; Breščak 1982, P. 1. 4. 5; Radnóti 1938, P. XV. 4b.
26. Nožica posude, inv. br. AMS-40821  
Mjere: duž. 3,5 cm, vis. 1,3 cm, tež. 1,51 g.  
Opis: nožica posude u obliku pelte sa spojenim krajevima profiliranih krakova, kojoj je jedan kraj oštećen.  
Nalazište: nepoznato.  
Datacija: 1. st.  
Literatura: Deimel 1987, T. 11. 11; Koščević 2000, str. 137, sl. 247; Holliger, Holliger 1985, str. 63, T. 5. 42.
26. Vessel foot, inv. no. AMS-40821  
Dimensions: l. 3.5 cm, h. 1.3 cm, wt. 1.51 g.  
Description: small pelta-shaped vessel foot with merged ends of articulated arms, one end damaged.  
Find-site: unknown.  
Dating: 1<sup>st</sup> cent.  
References: Deimel 1987, P. 11. 11; Koščević 2000, p. 137, Fig. 247; Holliger, Holliger 1985, p. 63, P. 5. 42.

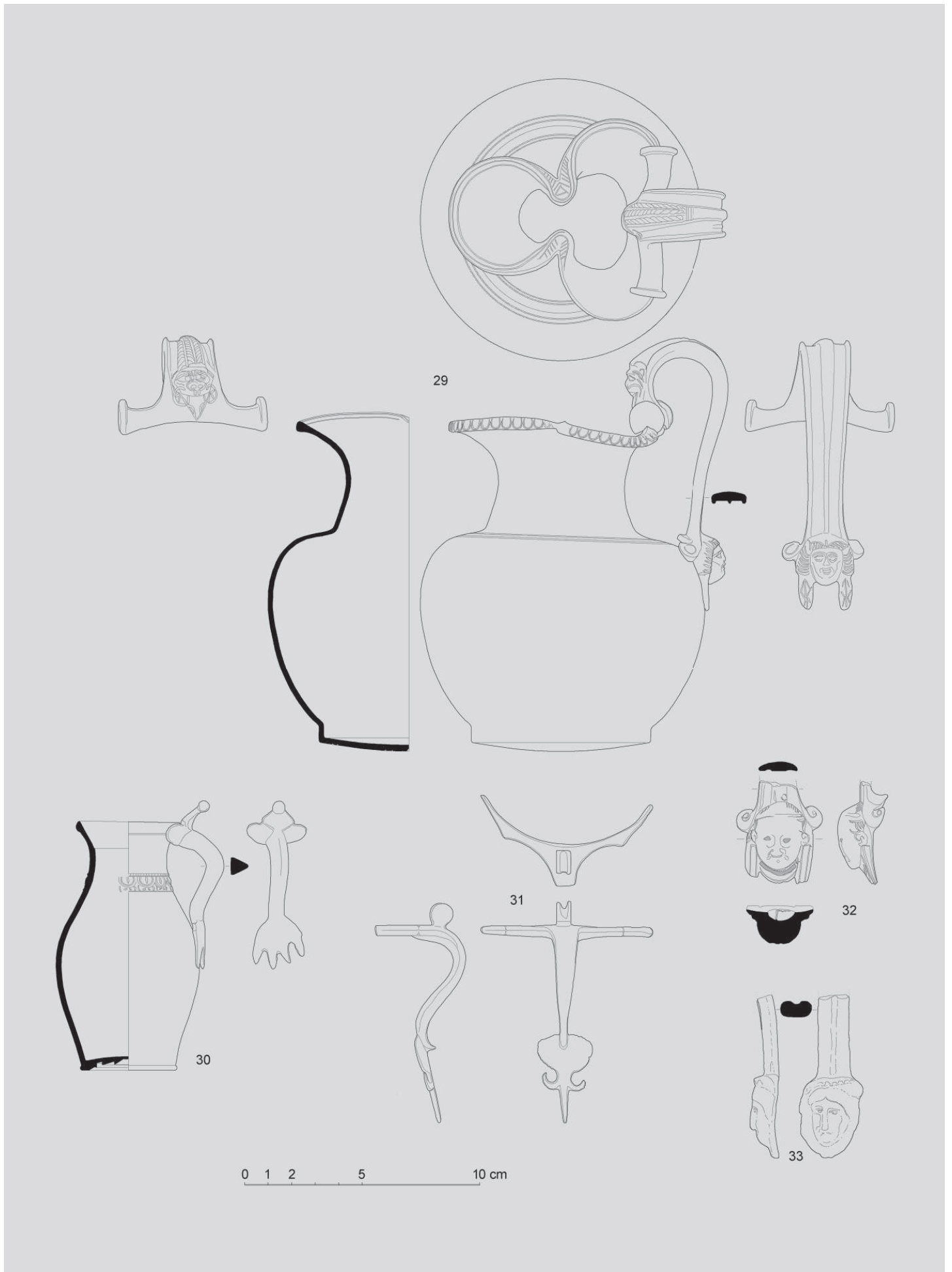


Tabla 2.

Plate 2.

## 27. Nožica posude, inv. br. H 5043

Mjere: duž. 3,35 cm, vis. 0,9 cm, tež. 2,83 g.

Opis: nožica posude u obliku pelte sa spojenim krajevima profiliranih krakova.

Nalazište: nepoznato.

Datacija: 1. st.

Literatura: Košćević 2000, str. 137, sl. 247; Holliger, Holliger 1985, str. 63, T. 5. 42.

## 28. Nožica posude, inv. br. AMS-40980

Mjere: duž. 2,75 cm, vis. 0,8 cm, tež. 4,47 g.

Opis: nožica posude u obliku pelte sa spojenim krajevima profiliranih krakova.

Nalazište: nepoznato.

Datacija: 1. st.

Literatura: Košćević 2000, str. 137, sl. 247; Holliger, Holliger 1985, str. 63, T. 5. 42.

## Vrčevi i njihove ručke

## 29. Vrč, inv. br. H 6057

Mjere: pr. trbuha posude 12 cm, vis. 14,1 cm, vis. s ručkom 17,1 cm, tež. 812,84 g.

Opis: vrč s trilobnim izljevom (*oinohoa*), izvijenog oboda, ukrašenog dvolisnim ovulima, s vrpčastom ručkom koja na vrhu ima stiliziranog lava, čitavom dužinom po sredini rebro, a na dnu stilizirana glava žene.

Nalazište: nepoznato.

Datacija: druga polovina 1. st.

Literatura: Homo Faber 1999, str. 189, sl. 226; Sedlmayer 1999, str. 17, sl. 3, 4; Tassinari 1995, str. 91, sl. 7; Kohlert-Németh 1990, str. 63, sl. 22; Nuber 1973, T. 7. 4; Eggers 1951, T. 11. 125; Radnóti 1938, T. XIII. 72., T. XLIX. 3, 3a.

## 30. Vrč, inv. br. H 279

Mjere: pr. oboda 4,4 cm, vis. 10,75 cm, tež. 203,17 g.

Opis: maleni vrč s jednom drškom trokutastog presjeka koja završava sa stiliziranom rukom, ispod vrata ukras koji čini niz dvolisnih ovula.

Nalazište: Salona.

Datacija: 1. st.

Literatura: Raev 1977, T. 29. 4; Radnóti 1938, T. XL. 3.

## 31. Ručka vrča, inv. br. H 1736

Mjere: duž. 7,35 cm, šir. 8,35 cm, tež. 41,06 g.

Opis: ručka vrča s polukružnim krajevima u obliku stiliziranih ptičjih glava, sa srcoliko-listolikim završetkom.

Nalazište: Salona., kupljeno god.1886.

Datacija: 1. st. - 2. pol. 2. st.

Literatura: Ratković 2005, str. 104, sl. 43; Feugère 1991b, str. 55, sl. 4; Breščak 1982, T. 12. 116.

## 27. Vessel foot, inv. no. H 5043

Dimensions: l. 3.35 cm, h. 0.9 cm, wt. 2.83 g.

Description: small pelta-shaped vessel foot with merged ends of articulated arms.

Find-site: unknown.

Dating: 1<sup>st</sup> cent.

References: Košćević 2000, p. 137, Fig. 247; Holliger, Holliger 1985, p. 63, P. 5. 42.

## 28. Vessel foot, inv. no. AMS-40980

Dimensions: l. 2.75 cm, h. 0.8 cm, wt. 4.47 g.

Description: small pelta-shaped vessel foot with merged ends of articulated arms.

Find-site: unknown.

Dating: 1<sup>st</sup> cent.

References: Košćević 2000, p. 137, Fig. 247; Holliger, Holliger 1985, p. 63, P. 5. 42.

## Jugs and their handles

## 29. Jug, inv. no. H 6057

Dimensions: dia. of vessel belly 12 cm, h. 14.1 cm, h. with handle 17.1 cm, wt. 812.84 g.

Description: jug with trilobate spout (*oenochoe*), curved rim, ornamented with two-leaf ovules, ribbon-like handle which has stylized lion at its top, rib down entire length, and stylized woman's head at bottom.

Find-site: unknown.

Dating: latter half of 1<sup>st</sup> cent.

References: Homo Faber 1999, p. 189, Fig. 226; Sedlmayer 1999, p. 17, Fig. 3, 4; Tassinari 1995, p. 91, Fig. 7; Kohlert-Németh 1990, p. 63, Fig. 22; Nuber 1973, P. 7. 4; Eggers 1951, P. 11. 125; Radnóti 1938, P. XIII. 72., P. XLIX. 3, 3a.

## 30. Jug, inv. no. H 279

Dimensions: rim dia. 4.4 cm, h. 10.75 cm, wt. 203.17 g.

Description: small jug with one handle having triangular cross-section that ends in stylized hand, ornament below neck consisting of two-leaf ovule.

Find-site: Salona.

Dating: 1<sup>st</sup> cent.

References: Raev 1977, P. 29. 4; Radnóti 1938, P. XL. 3.

## 31. Jug handle, inv. no. H 1736

Dimensions: l. 7.35 cm, wid. 8.35 cm, wt. 41.06 g.

Description: jug handle with semi-circular ends shaped like stylized bird heads with heart-shaped/foolate end.

Find-site: Salona, purchased in 1886

Dating: 1<sup>st</sup> cent.-2<sup>nd</sup> half 2<sup>nd</sup> cent. AD.

References: Ratković 2005, p. 104, Fig. 43; Feugère 1991b, p. 55, Fig. 4; Breščak 1982, P. 12. 116.

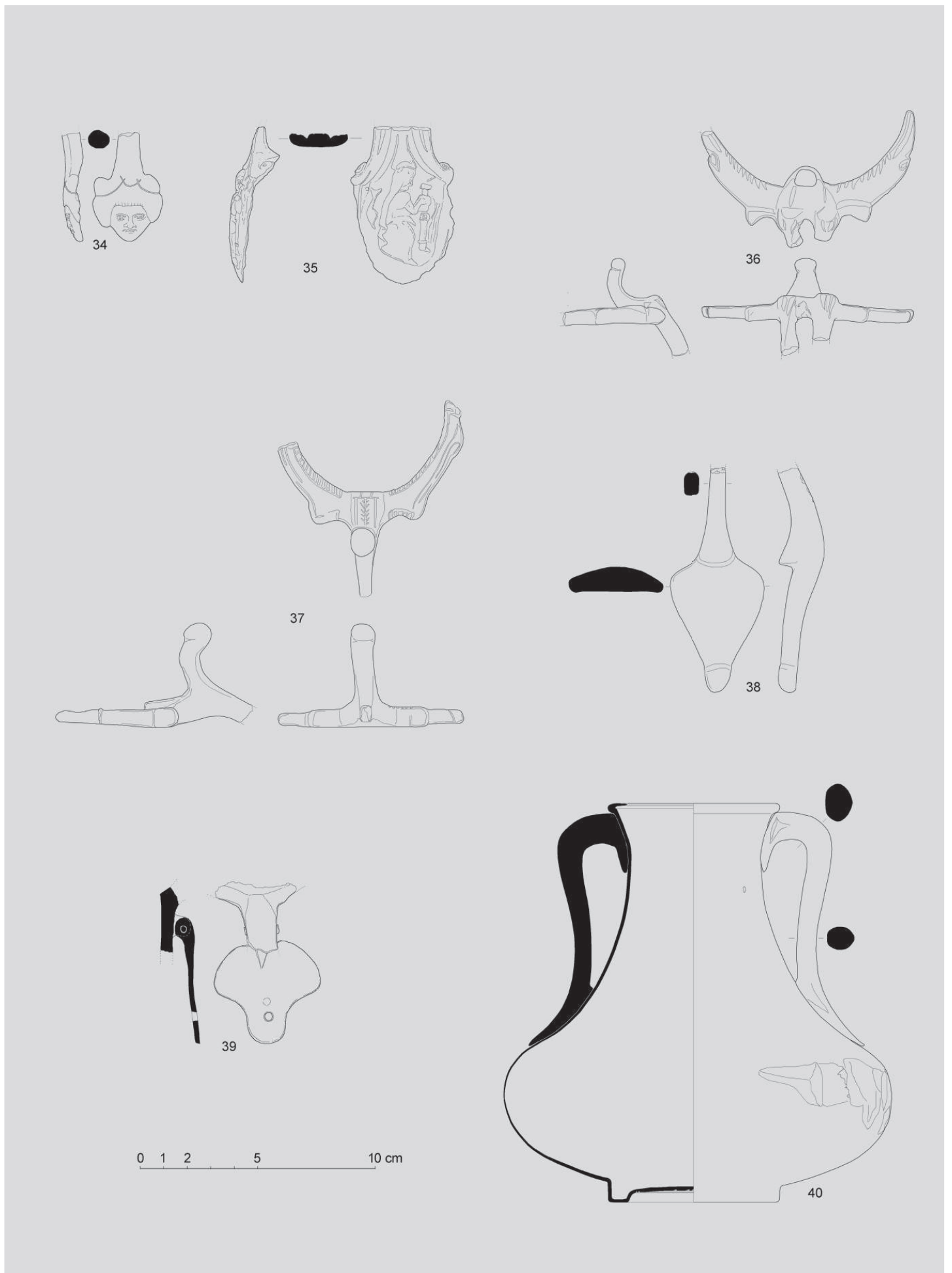
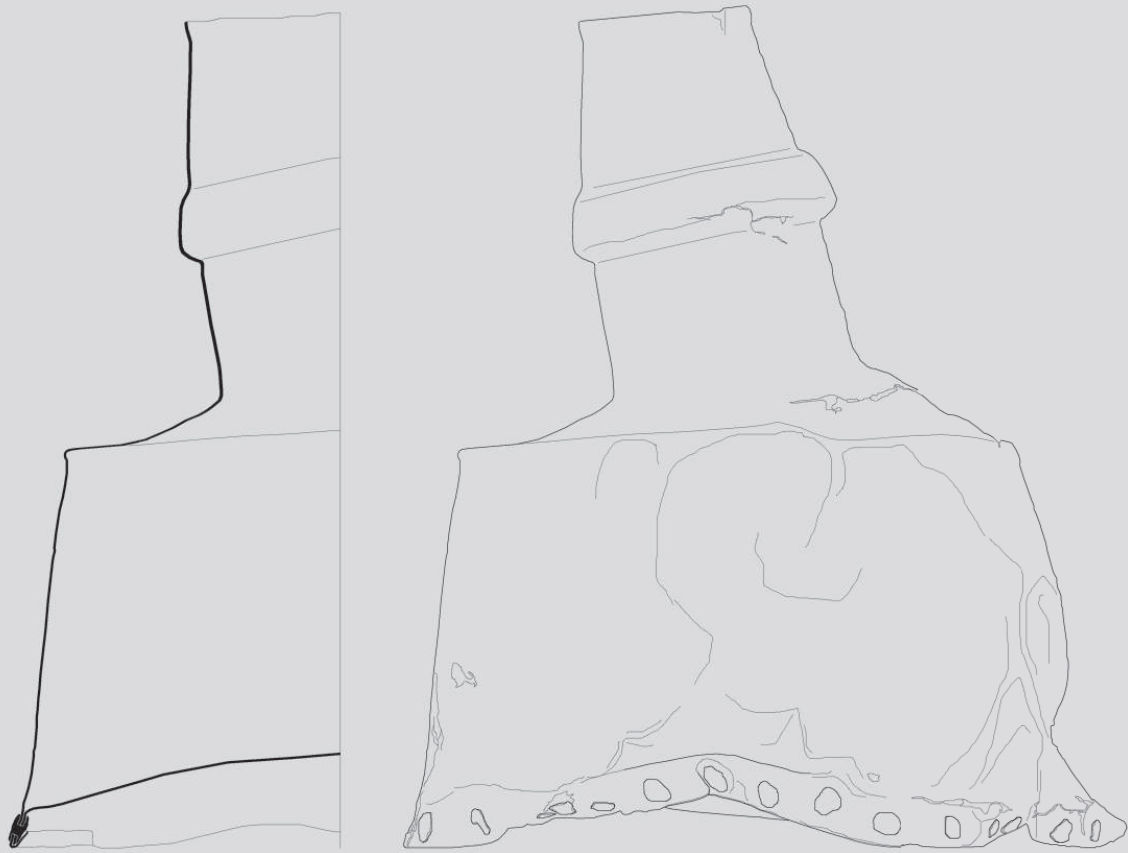


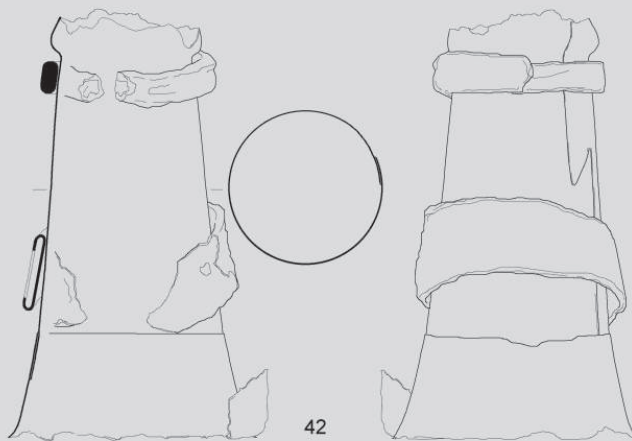
Tabla 3.

Plate 3.

32. Ručka vrča, inv. br. H 3197  
Mjere: duž. 4,35 cm, šir. 3,7 cm, tež. 62,08 g.  
Opis: ulomak ručke vrča čiji je završetak u obliku stiliziranoga muškog lica u visokom reljefu, s plitko urezanim volutama, dugom kosom, ušima, očima i ustima, s tragovima srebrnih intarzija.  
Nalazište: Salona., kupljeno god. 1894.  
Datacija: kraj 1. st. - 2. st.  
Literatura: Ratković 2005, str. 7, sl. 25.
32. Jug handle, inv. no. H 3197  
Dimensions: l. 4.35 cm, wid. 3.7 cm, wt. 62.08 g.  
Description: fragment of jug handle having end shaped like stylized man's face in high relief, with shallowly engraved volutes, long hair, ears, eyes and mouth, and traces of silver inlay.  
Find-site: Salona, purchased in 1894.  
Dating: end of 1<sup>st</sup> - 2<sup>nd</sup> cent.  
References: Ratković 2005, p. 7, Fig. 25.
33. Ručka vrča, inv. br. H 304  
Mjere: duž. 7 cm, šir. 2,7 cm, tež. 43,92 g.  
Opis: ulomak vrpčaste ručke vrča sa dva rebra koja završava s aplikom u obliku ljudskog lica.  
Nalazište: Salona., zbirka Bigoni, 1873.  
Datacija: 2. - 3. st.  
Literatura: Radnóti 1938, T. XLIV. 5.
33. Jug handle, inv. no. H 304  
Dimensions: l. 7 cm, wid. 2.7 cm, wt. 43.92 g.  
Description: fragment of ribbon-like jug handle with two ribs ending in appliqué shaped like human face.  
Find-site: Salona, Bigoni Collection, 1873.  
Dating: 2<sup>nd</sup>-3<sup>rd</sup> cent.  
References: Radnóti 1938, P. XLIV. 5.
34. Ručka vrča, inv. br. AMS-70033  
Mjere: duž. 4,65 cm, šir. 3 cm, tež. 25,27 g.  
Opis: ulomak vrpčaste ručke vrča koja završava aplikom u obliku ljudskog lica.  
Nalazište: nepoznato.  
Datacija: 2. - 3. st.  
Literatura: Radnóti 1938, T. XLIV. 4.
34. Jug handle, inv. no. AMS-70033  
Dimensions: l. 4.65 cm, wid. 3 cm, wt. 25.27 g.  
Description: fragment of ribbon-like jug handle with two ribs ending in appliqué shaped like human face.  
Find-site: unknown.  
Dating: 2<sup>nd</sup>-3<sup>rd</sup> cent.  
References: Radnóti 1938, P. XLIV. 4.
35. Ručka vrča, inv. br. H 6064  
Mjere: duž. 4,6 cm, šir. 3,85 cm, tež. 63,93 g.  
Opis: ulomak vrpčaste ručke vrča sa sačuvanom aplikom na dnu u obliku medaljona koji je reljefno ukrašen dvjema volutama u gornjem dijelu i prikazom stilizirane žene (drži amforu?) te prikazom dupina lijevo od nje.  
Nalazište: nepoznato.  
Datacija: Rimsko Carstvo.  
Literatura: Nuber 1973, T. 7. 8; Radnóti 1938, T. XXXIX. 2a. 2b.
35. Jug handle, inv. no. H 6064  
Dimensions: l. 4.6 cm, wid. 3.85 cm, wt. 63.93 g.  
Description: fragment of ribbon-like jug handle with preserved medallion-shaped appliqué having relief ornamentation of two volutes in upper section and image of stylized woman (holding amphora?), and image of dolphin to her left.  
Find-site: unknown.  
Dating: Roman Empire.  
References: Nuber 1973, P. 7. 8; Radnóti 1938, P. XXXIX. 2a. 2b.
36. Ručka vrča, inv. br. H 4088  
Mjere: duž. 9,15 cm, šir. 5,45 cm, tež. 90,16 g.  
Opis: ulomak ručke vrča ili boce s polukružnim krajevima u obliku stiliziranih ptičjih glava ukrašenih urezivanjem; donji dio ručke djelomično sačuvan, dijeli se u dvije vrpce koje započinju stiliziranim životinjskim šapama.  
Nalazište: Žrnovnica, kupljeno god. 1903.  
Datacija: Rimsko Carstvo.  
Literatura: Boube-Piccot 1987-1988, str. 257, sl. 12; Castoldi 1989, T. XLIII. 20.
36. Jug handle, inv. no. H 4088  
Dimensions: l. 9.15 cm, wid. 5.45 cm, wt. 90.16 g.  
Description: fragment of jug or bottle handle with semi-circular ends shaped like bird-heads decorated by engraving, lower part of handle partially preserved, divided into two bands which begin with stylized animal paws.  
Find-site: Žrnovnica, purchased in 1903.  
Dating: Roman Empire.  
References: Boube-Piccot 1987-1988, p. 257, Fig. 12; Castoldi 1989, P. XLIII. 20.
37. Ručka, inv. br. H 4288  
Mjere: duž. 7,8 cm, šir. 8,7 cm, tež. 108,71 g.  
Opis: ulomak ručke vrča ili boce s polukružnim krajevima u obliku stiliziranih ptičjih glava ukrašenih urezivanjem; donji dio vrpčaste ručke djelomično sačuvan.  
Nalazište: Salona., *Basilica Urbana*, jug, 1906.  
Datacija: Rimsko Carstvo.  
Literatura: Boube-Piccot 1987-1988, str. 257; Castoldi 1989, T. XLIII. 20.
37. Handle, inv. no. H 4288  
Dimensions: l. 7.8 cm, wid. 8.7 cm, wt. 108.71 g.  
Description: fragment of jug or bottle handle with semi-circular ends shaped like bird-heads decorated by engraving; lower part of ribbon-like handle partially preserved.  
Find-site: Salona, *Basilica Urbana*, south, 1906.  
Dating: Roman Empire.  
References: Boube-Piccot 1987-1988, p. 257; Castoldi 1989, P. XLIII. 20.



41



42

0 1 2 5 10 cm

## 38. Ručka, inv. br. H 4250

Mjere: duž. 9,4 cm, šir. 4,1 cm, tež. 126,04 g.

Opis: ulomak vrpčaste ručke posude (možda *Blechkanne?*) pravokutnog presjeka, sa srcolikim završetkom.

Nalazište: Salona., kupljeno god.1905.

Datacija: Rimsko Carstvo.

Literatura: Radnóti 1938, T. LI. 4; Feugère 1991a, str. 127, sl. 7, br. 2.

**Poklopac vrča**

## 39. Poklopac posude, inv. br. H 6055

Mjere: duž. 6,15 cm, šir. 4,5 cm, tež. 42,42 g.

Opis: pločasti poklopac posude u obliku djeteline s malom perforacijom na donjem dijelu te djelomično sačuvanim zglobnim pregibom na vrhu.

Nalazište: nepoznato.

Datacija: Rimsko Carstvo.

Literatura: Breščak 1983, T. 14. 139; Bolla 1989, T. XLVIII. 10.

**Amfora (lat. *amphora*)**

## 40. Amfora, inv. br. H 6059

Mjere: pr. oboda 7,45 cm, vis. 18 cm, tež. 533,88 g.

Opis: amfora s uvijenim obodom, dugog vrata, s dvije drške trokutastog presjeka, listolikih završetaka, niskog, loptastog trbuha, prstenaste noge.

Nalazište: nepoznato.

Datacija: 1. st.

Literatura: Raev 1977, T. 16. 2; Eggers 1951, T. 11. 129.

**Limeni vrčevi (*Blechkannen*)**

## 41. Limeni vrč, inv. br. H 2934

Mjere: pr. oboda 5,7 cm, pr. dna 19,5 cm, vis. 25,7 cm, tež. 612,47 g.

Opis: jako oštećena limena posuda (*Blechkanne*) sa zadebljanjem na vratu i bikoničnim trbuhom.

Nalazište: Salona., kupljeno god.1892.

Datacija: druga polovica 3. st. - 4. st.

Literatura: Božić 2005, str. 327, sl. 34, br. 4; Cassani 1999, str. 7; Bolla 1989, str. 101; Radnóti 1938, T. LI. 1.

## 42. Limeni vrč, inv. br. AMS-70075

Mjere: šir. 6,65 cm, vis. 12,4 cm, pr. oboda 4,05 cm, tež. 186,51 g.

Opis: ulomak vrata *Blechkanne* s oštećenim obodom i ulomkom željezne ručke koja obavija vrat posude.

Nalazište: nepoznato.

Datacija: druga polovica 3. st. - 4. st.

Literatura: Božić 2005, str. 325, sl. 34, 4; Bolla 1989, str. 110.

## 38. Handle, inv. no. H 4250

Dimensions: l. 9.4 cm, wid. 4.1 cm, wt. 126.04 g.

Description: fragment of ribbon-like vessel handle (perhaps *Blechkanne?*) with rectangular cross-section with heart-shaped end.

Find-site: Salona, purchased in 1905.

Dating: Roman Empire.

References: Radnóti 1938, P. LI. 4; Feugère 1991a, p. 127, Fig. 7, no. 2.

**Jug lid**

## 39. Vessel lid, inv. no. H 6055

Dimensions: l. 6.15 cm, wid. 4.5 cm, wt. 42.42 g.

Description: flattened clover-shaped vessel lid with small perforation in lower section, and partially preserved hinge joint at top.

Find-site: unknown.

Dating: Roman Empire.

References: Breščak 1983, P. 14. 139; Bolla 1989, P. XLVIII. 10.

**Amphora**

## 40. Amphora, inv. no. H 6059

Dimensions: rim dia. 7.45 cm, h. 18 cm, wt. 533.88 g.

Description: amphora with curved rim, long neck, two handles with triangular cross-section, foliate ends, low, ball-shaped belly, and ringed foot.

Find-site: unknown.

Dating: 1<sup>st</sup> cent.

References: Raev 1977, P. 16. 2; Eggers 1951, P. 11. 129.

**Tin jugs (*Blechkannen*)**

## 41. Tin jug, inv. no. H 2934

Dimensions: rim dia. 5.7 cm, base dia. 19.5 cm, h. 25.7 cm, wt. 612.47 g.

Description: very damaged tin vessel (*Blechkanne*) with thickening on neck and biconical belly.

Find-site: Salona, purchased in 1892.

Dating: 2<sup>nd</sup> half of 3<sup>rd</sup>-4<sup>th</sup> cent.

References: Božić 2005, p. 327, Fig. 34, no. 4; Cassani 1999, p. 7; Bolla 1989, p. 101; Radnóti 1938, P. LI. 1.

## 42. Tin jug, inv. no. AMS-70075

Dimensions: wid. 6.65 cm, h. 12.4 cm, rim dia. 4.05 cm, wt. 186.51 g.

Description: fragment of *Blechkanne* neck with damaged rim and fragment of iron handle wrapped around vessel neck.

Find-site: unknown.

Dating: 2<sup>nd</sup> half of 3<sup>rd</sup>-4<sup>th</sup> cent.

References: Božić 2005, p. 325, Fig. 34, 4; Bolla 1989, p. 110.

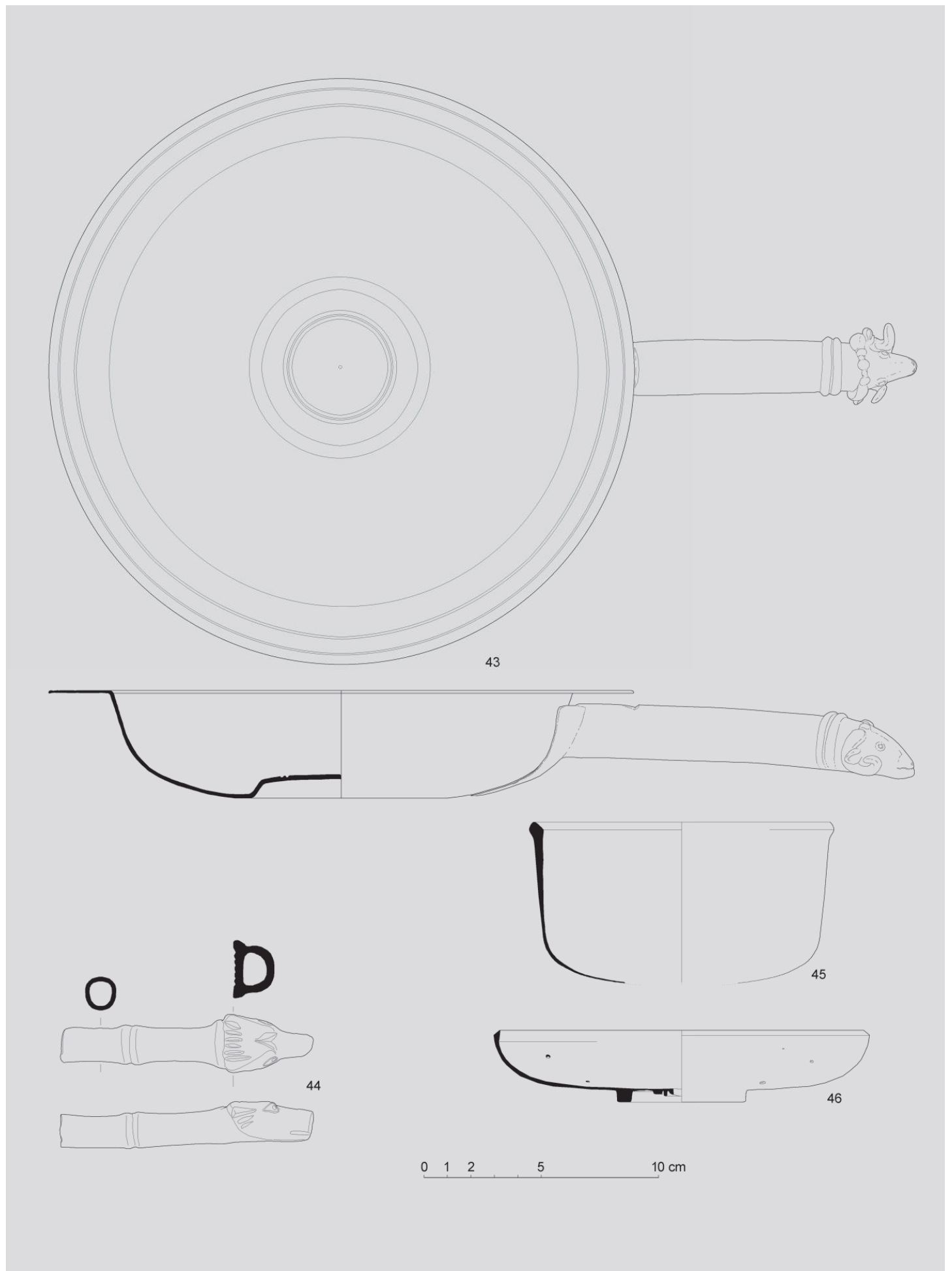


Tabla 5.

Plate 5.



**Patere (lat. *paterae*)**

43. Patera, inv. br. H 4977  
Mjere: pr.oboda 25,85 cm, vis. 5,65 cm, duž. ručke 17,8 cm, tež. 985,93 g.  
Opis: patera s izvijenim obodom na kojem je čitavim promjerom urezano nekoliko linija, umbo po sredini, te drška čiji je kraj u obliku ovnujske glave, s vidljivim ostacima plave boje.  
Nalazište: Lučani kod Sinja, kupljeno u vrijeme Mihovila Abramića.  
Datacija: 1. - 2. st.  
Literatura: Koščević 2008, str. 231, sl. 1, str. 252, kat. br. 6; Sedlmayer 1999, str. 17, sl. 4; Raev 1978, T. 20. 5; Radnóti 1938, T. VII. 30., T. XXVII. 4.

44. Drška patere, inv. br. H 2122  
Mjere: duž. 10,75 cm, šir. 2,5 cm, tež. 97,27 g.  
Opis: drška patere kružnog presjeka sa stiliziranim psom na završetku.  
Nalazište: Salona.  
Datacija: 2. st.  
Literatura: Nuber 1973, str. 63, sl. 13; Radnóti 1938, T. XXVII. 5.

**Zdjelica (lat. *acetabulum*)**

45. Zdjelica, inv. br. H 3255  
Mjere: pr. oboda 12,45 cm, vis. 6,9 cm, tež. 391,71 g.  
Opis: zdjelica s obodom izvučenim prema van i jako oštećenim dnom na kojem je dio popravljen.  
Nalazište: Žrnovnica, kupljeno god.1894.  
Datacija: 2. - 3. st.  
Literatura: Kohlert-Németh 1990, str. 79; Ondrouch 1957, T. 35. 1; Eggers 1951, T. 11. 111.

**Tanjur**

46. Tanjur, inv. br. AMS-43375  
Mjere: pr. oboda 15,25 cm, pr. dna 5,25 cm, vis. 3,1 cm, tež. 189,99 g.  
Opis: oštećeni tanjur s uvijenim obodom i sačuvanim prstenastim dnom.  
Nalazište: nepoznato.  
Datacija: srednjocarsko doba.  
Literatura: Bolla 1994, T. XLVII. 61; Eggers 1951, T. 11. 117.

**Tiganj**

47. Tiganj, inv. br. H 1345  
Mjere: duž. 30,75 cm, šir. 20,2 cm, vis. 3,45 cm, tež. 600,67 g.  
Opis: pravokutni tiganj s izvijenim obodom i vidljivim ostacima ručke na jednoj od bočnih strana.  
Nalazište: Salona.  
Datacija: 1. - 2. st.  
Literatura: Hayes 1984, str. 162, sl. 254.

**Paterae**

43. Patera, inv. no. H 4977  
Dimensions: rim dia. 25.85 cm, h. 5.65 cm, l. of handle 17.8 cm, wt. 985.93 g.  
Description: patera with curved rim on which several lines are engraved along the entire diameter, umbo in middle, and handle with end shaped like ram's head, with visible remains of blue paint.  
Find-site: Lučani at Sinj, purchased during tenure of Mihovil Abramić.  
Dating: 1<sup>st</sup>-2<sup>nd</sup> cent.  
References: Koščević 2008, p. 231, Fig. 1, p. 252, cat. no. 6; Sedlmayer 1999, p. 17, Fig. 4; Raev 1978, P. 20. 5; Radnóti 1938, P. VII. 30., P. XXVII. 4.

44. Patera handle, inv. no. H 2122  
Dimensions: l. 10.75 cm, wid. 2.5 cm, wt. 97.27 g.  
Description: patera handle with circular cross-section and stylized dog at end.  
Find-site: Salona.  
Dating: 2<sup>nd</sup> cent.  
References: Nuber 1973, p. 63, Fig. 13; Radnóti 1938, P. XXVII. 5.

**Cup (lat. *acetabulum*)**

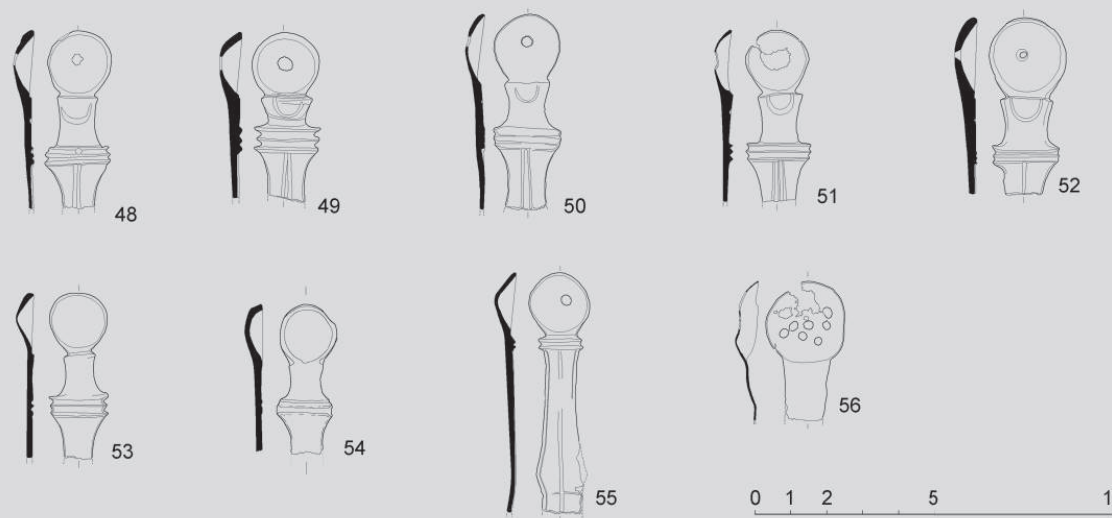
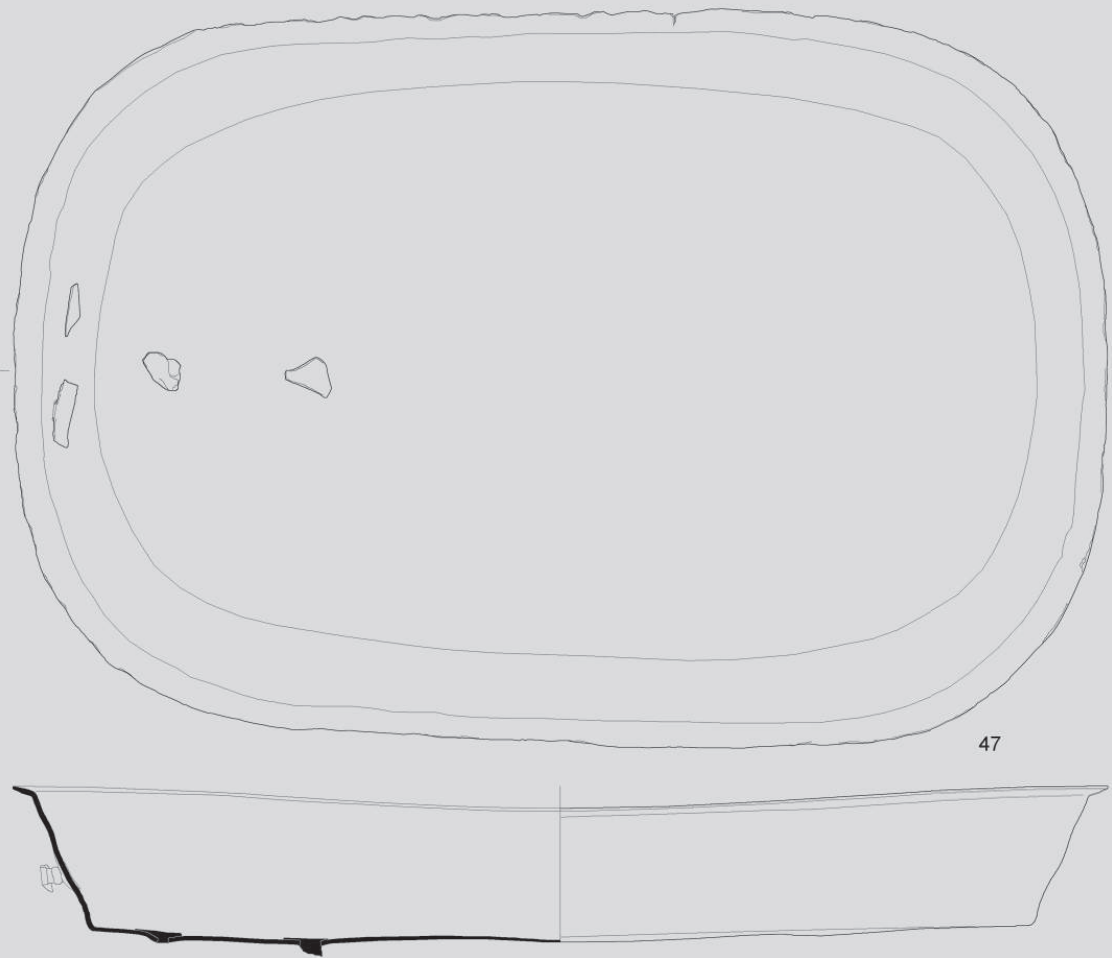
45. Cup, inv. no. H 3255  
Dimensions: rim dia. 12.45 cm, h. 6.9 cm, wt. 391.71 g.  
Description: cup with outwardly drawn rim, very damaged base on which part was repaired.  
Find-site: Žrnovnica, purchased in 1894.  
Dating: 2<sup>nd</sup>-3<sup>rd</sup> cent.  
References: Kohlert-Németh 1990, p. 79; Ondrouch 1957, P. 35. 1; Eggers 1951, P. 11. 111.

**Plate**

46. Plate, inv. no. AMS-43375  
Dimensions: rim dia. 15.25 cm, base dia. 5.25 cm, h. 3.1 cm, wt. 189.99 g.  
Description: damaged plate with curved rim and ringed preserved base.  
Find-site: unknown.  
Dating: mid-imperial period.  
References: Bolla 1994, P. XLVII. 61; Eggers 1951, P. 11. 117.

**Pan**

47. Pan, inv. no. H 1345  
Dimensions: l. 30.75 cm, wid. 20.2 cm, h. 3.45 cm, wt. 600.67 g.  
Description: rectangular pan with curved rim and visible remains of handle on one of lateral sides.  
Find-site: Salona.  
Dating: 1<sup>st</sup>-2<sup>nd</sup> cent.  
References: Hayes 1984, p. 162, Fig. 254.



**Zaimače (lat. *simpula*, grč. *kyathoi*)**

48. Drška zaimače, inv. br. H 4094  
Mjere: duž. 4,9 cm, vis. 1,75 cm, tež. 7,66 g.  
Opis: okrugli završetak drške zaimače s rupicom po sredini, na prijelazu prema tijelu drške urezan polukružni ukras, na tijelu tri vodoravna rebra ispod kojih su po sredini urezane dvije okomite crte.  
Nalazište: Burnum, kupljeno god.1903.  
Datacija: 1. - 2. st.  
Literatura: Šeparović, Uroda 2009, str. 42, kat. br. 52; Šeparović 2003, T. 6. 8; Castoldi, Feugère 1991, str. 87, sl. 23; Deimel 1987, T. 27. 8; Breščak 1983, T. 10. 93; Radnóti 1938, T. VIII. 43.
49. Drška zaimače, inv. br. AMS-70031  
Mjere: duž. 4,7 cm, vis. 1,85 cm, tež. 11,61 g.  
Opis: okrugli završetak zaimače s rupicom po sredini, na prijelazu prema tijelu drške urezan polukružni ukras, na tijelu tri vodoravna rebra ispod kojih su po sredini urezane dvije okomite crte.  
Datacija: 1. - 2. st.  
Nalazište: nepoznato.  
Literatura: Šeparović, Uroda 2009, str. 42, kat. br. 52; Šeparović 2003, T. 6. 8; Castoldi, Feugère 1991, str. 87, sl. 23; Deimel 1987, T. 27. 8; Breščak 1983, T. 10. 93; Radnóti 1938, T. VIII. 43.
50. Drška zaimače, inv. br. AMS-70032  
Mjere: duž. 5,45 cm, vis. 1,9 cm, tež. 7,90 g.  
Opis: okrugli završetak drške zaimače s rupicom po sredini, na prijelazu prema tijelu drške urezan polukružni ukras, na tijelu tri vodoravna rebra ispod kojih su po sredini urezane dvije okomite crte.  
Nalazište: 1. - 2. st.  
Datacija: nepoznato.  
Literatura: Šeparović, Uroda 2009, str. 42, kat. br. 52; Šeparović 2003, T. 6. 8; Castoldi, Feugère 1991, str. 87, sl. 23; Deimel 1987, T. 27. 8; Breščak 1983, T. 10. 93; Radnóti 1938, T. VIII. 43.
51. Drška zaimače, inv. br. H 785  
Mjere: duž. 4,75 cm, vis. 1,8 cm, tež. 6, 23 g.  
Opis: okrugli završetak drške zaimače s rupom po sredini, na prijelazu prema tijelu drške urezan polukružni ukras, na tijelu tri vodoravna rebra ispod kojih su po sredini urezane tri okomite crte.  
Nalazište: Salona.  
Datacija: 1. - 2. st.  
Literatura: Šeparović, Uroda 2009, str. 42, kat. br. 52; Šeparović 2003, T. 6. 8; Castoldi, Feugère 1991, str. 87, sl. 23; Deimel 1987, T. 27. 8; Breščak 1983, T. 10. 93; Radnóti 1938, T. VIII. 43.

**Ladles (Lat. *simpula*, Gr. *kyathoi*)**

48. Ladle handle, inv. no. H 4094  
Dimensions: l. 4.9 cm, h. 1.75 cm, wt. 7.66 g.  
Description: round end of ladle handle with hole in middle, semi-circular ornament engraved at transition to handle's body, three horizontal ribs on body under which two vertical lines are engraved along the middle.  
Find-site: Burnum, purchased in 1903.  
Dating: 1<sup>st</sup>-2<sup>nd</sup> cent.  
References: Šeparović, Uroda 2009, p. 42, cat. no. 52; Šeparović 2003, P. 6. 8; Castoldi, Feugère 1991, p. 87, Fig. 23; Deimel 1987, P. 27. 8; Breščak 1983, P. 10. 93; Radnóti 1938, P. VIII. 43.
49. Ladle handle, inv. no. AMS-70031  
Dimensions: l. 4.7 cm, h. 1.85 cm, wt. 11.61 g.  
Description: round end of ladle handle with hole in middle, semi-circular ornament engraved at transition to handle's body, three horizontal ribs on body under which two vertical lines are engraved along the middle.  
Dating: 1<sup>st</sup>-2<sup>nd</sup> cent.  
Find-site: unknown.  
References: Šeparović, Uroda 2009, p. 42, cat. no. 52; Šeparović 2003, P. 6. 8; Castoldi, Feugère 1991, p. 87, Fig. 23; Deimel 1987, P. 27. 8; Breščak 1983, P. 10. 93; Radnóti 1938, P. VIII. 43.
50. Ladle handle, inv. no. AMS-70032  
Dimensions: l. 5.45 cm, h. 1.9 cm, wt. 7.90 g.  
Description: round end of ladle handle with hole in middle, semi-circular ornament engraved at transition to handle's body, three horizontal ribs on body under which two vertical lines are engraved along the middle.  
Find-site: 1<sup>st</sup>-2<sup>nd</sup> cent.  
Dating: unknown.  
References: Šeparović, Uroda 2009, p. 42, cat. no. 52; Šeparović 2003, P. 6. 8; Castoldi, Feugère 1991, p. 87, Fig. 23; Deimel 1987, P. 27. 8; Breščak 1983, P. 10. 93; Radnóti 1938, P. VIII. 43.
51. Ladle handle, inv. no. H 785  
Dimensions: l. 4.75 cm, h. 1.8 cm, wt. 6.23 g.  
Description: round end of ladle handle with hole in middle, semi-circular ornament engraved at transition to handle's body, three horizontal ribs on body under which two vertical lines are engraved along the middle.  
Find-site: Salona.  
Dating: 1<sup>st</sup>-2<sup>nd</sup> cent.  
References: Šeparović, Uroda 2009, p. 42, cat. no. 52; Šeparović 2003, P. 6. 8; Castoldi, Feugère 1991, p. 87, Fig. 23; Deimel 1987, P. 27. 8; Breščak 1983, P. 10. 93; Radnóti 1938, P. VIII. 43.

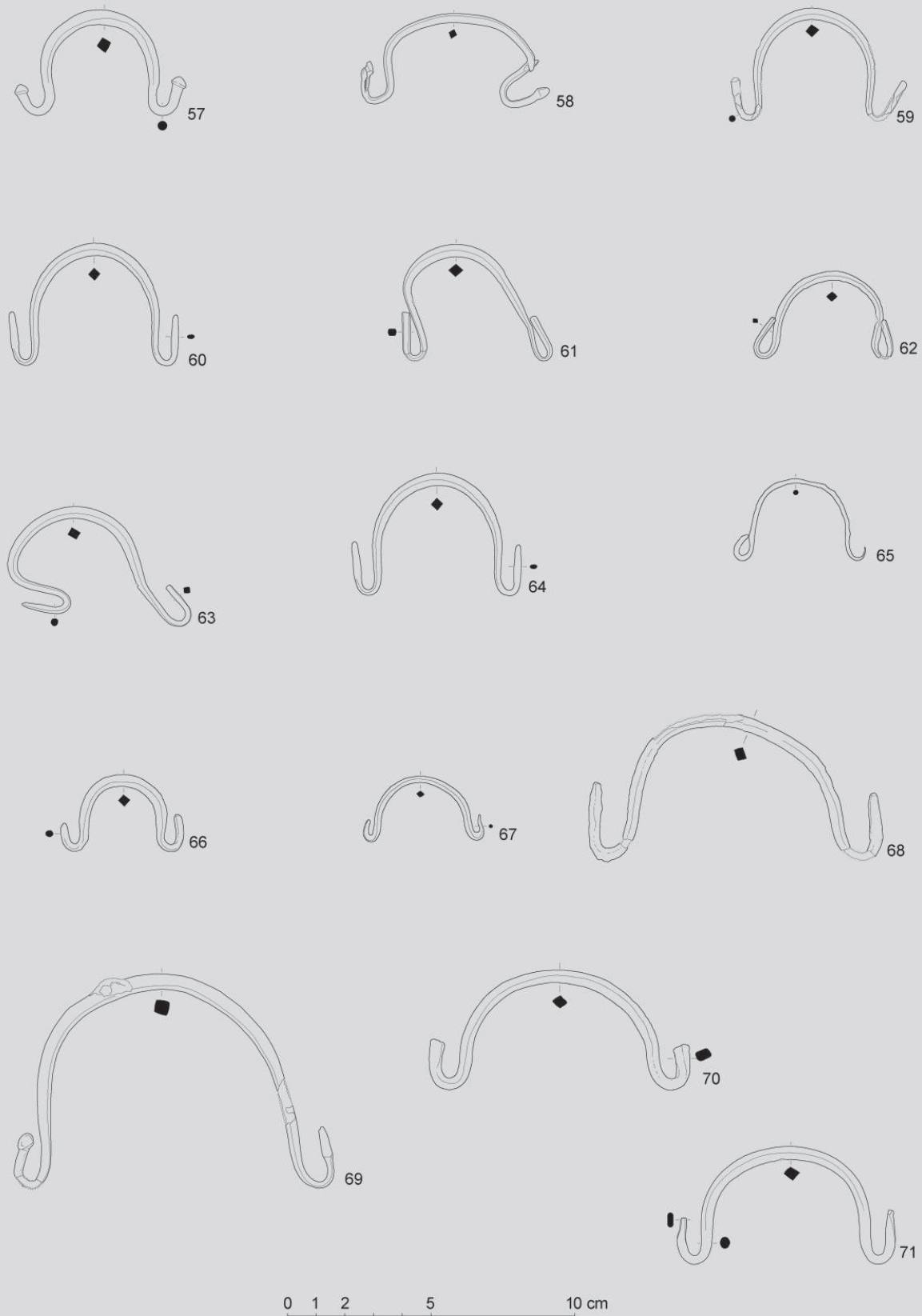


Tabla 7.

Plate 7.

52. Drška zaimače, inv. br. H 578  
Mjere: duž. 4,95 cm, vis. 2,1 cm, tež. 12,97 g.  
Opis: okrugli završetak drške zaimače, na prijelazu prema tijelu drške urezan polukružni ukras, na tijelu tri vodoravna rebra ispod kojih je po sredini urezana okomita crta.  
Nalazište: Salona.  
Datacija: 1. - 2. st.  
Literatura: Castoldi, Feugère 1991, str. 87, sl. 23; Deimel 1987, T. 27. 8; Breščak 1983, T. 10. 93; Radnóti 1938, T. VIII. 43.
53. Drška zaimače, inv. br. H 1232  
Mjere: duž. 4,65 cm, vis. 1,65 cm, tež. 5,21 g.  
Opis: okrugli završetak drške zaimače i ulomak tijela s tri vodoravna rebra.  
Nalazište: Salona., kupljeno god.1884.  
Datacija: 1. - 2. st.  
Literatura: Castoldi, Feugère 1991, str. 87, sl. 23; Hayes 1984, str. 100, sl. 158; Deimel 1987, T. 27. 8; Breščak 1983, T. 10. 93; Radnóti 1938, T. VIII. 43.
54. Drška zaimače, inv. br. H 3908  
Mjere: duž. 4,1 cm, vis. 1,6 cm, tež. 6,02 g.  
Opis: okrugli završetak drške zaimače i ulomak tijela drške s dva vodoravna rebra.  
Nalazište: Salona., 1901.  
Datacija: 1. - 2. st.  
Literatura: Castoldi, Feugère 1991, str. 87, sl. 23; Hayes 1984, str. 100, sl. 158; Breščak 1983, T. 10. 93; Radnóti 1938, T. VIII. 43.
55. Drška zaimače, inv. br. H 4648  
Mjere: duž. 6,7 cm, vis. 1,7 cm, tež. 8,57 g.  
Opis: okrugla drška zaimače s rupicom po sredini, na prijelazu prema tijelu dva rebra, na tijelu urezane tri okomite linije.  
Nalazište: Salona., kupljeno god.1914.  
Datacija: 1. st.  
Literatura: Šeparović, Uroda 2009, str. 42, kat. br. 52; Šeparović 2003, T. 6. 8; Deimel 1987, T. 27. 8; Breščak 1983, T. 10. 74; Radnóti 1938, T. VIII. 44.
56. Drška zaimače, inv. br. AMS-41290  
Mjere: duž. 3,9 cm, vis. 2,15 cm, tež. 1,88 g.  
Opis: oštećena okrugla drška zaimače s rupičastim ukrasom i ulomkom tijela drške.  
Nalazište: nepoznato.  
Datacija: 1. st.  
Literatura: Castoldi, Feugère 1991, str. 85, sl. 21, br. 2; Breščak 1983., T. 9. 83; Radnóti 1938, T. VIII. 40., T. XXVIII. 10; Hoffiler 1903-1904, str. 114, sl. 62, br. 2.
52. Ladle handle, inv. no. H 578  
Dimensions: l. 4.95 cm, h. 2.1 cm, wt. 12.97 g.  
Description: round end of ladle handle with hole in middle, semi-circular ornament engraved at transition to handle's body, three horizontal ribs on body under which horizontal line is engraved along the middle.  
Find-site: Salona.  
Dating: 1<sup>st</sup>-2<sup>nd</sup> cent.  
References: Castoldi, Feugère 1991, p. 87, Fig. 23; Deimel 1987, P. 27. 8; Breščak 1983, P. 10. 93; Radnóti 1938, P. VIII. 43.
53. Ladle handle, inv. no. H 1232  
Dimensions: l. 4.65 cm, h. 1.65 cm, wt. 5.21 g.  
Description: round end of ladle handle and fragment of body with three horizontal ribs.  
Find-site: Salona, purchased in 1884  
Dating: 1<sup>st</sup>-2<sup>nd</sup> cent.  
References: Castoldi, Feugère 1991, p. 87, Fig. 23; Hayes 1984, p. 100, Fig. 158; Deimel 1987, P. 27. 8; Breščak 1983, P. 10. 93; Radnóti 1938, P. VIII. 43.
54. Ladle handle, inv. no. H 3908  
Dimensions: l. 4.1 cm, h. 1.6 cm, wt. 6.02 g.  
Description: round end of ladle handle and fragment of body with two horizontal ribs.  
Find-site: Salona, 1901.  
Dating: 1<sup>st</sup>-2<sup>nd</sup> cent.  
References: Castoldi, Feugère 1991, p. 87, Fig. 23; Hayes 1984, p. 100, Fig. 158; Breščak 1983, P. 10. 93; Radnóti 1938, P. VIII. 43.
55. Ladle handle, inv. no. H 4648  
Dimensions: l. 6.7 cm, h. 1.7 cm, wt. 8.57 g.  
Description: round ladle handle with hole in middle, two ribs at transition to neck, three vertical lines engraved on body.  
Find-site: Salona, purchased in 1914.  
Dating: 1<sup>st</sup> cent.  
References: Šeparović, Uroda 2009, p. 42, cat. no. 52; Šeparović 2003, P. 6. 8; Deimel 1987, P. 27. 8; Breščak 1983, P. 10. 74; Radnóti 1938, P. VIII. 44.
56. Ladle handle, inv. no. AMS-41290  
Dimensions: l. 3.9 cm, h. 2.15 cm, wt. 1.88 g.  
Description: damaged round ladle handle with pocked ornament and fragment of handle body.  
Find-site: unknown.  
Dating: 1<sup>st</sup> cent.  
References: Castoldi, Feugère 1991, p. 85, Fig. 21, no. 2; Breščak 1983, P. 9. 83; Radnóti 1938, P. VIII. 40, P. XXVIII. 10; Hoffiler 1903-1904, p. 114, Fig. 62, no. 2.

## Ručke posuda

57. Ručka, inv. br. AMS-70034  
Mjere: duž. 5,9 cm, vis. 3,7 cm, tež. 9,03 g.  
Opis: ručka malene situle ili škrinjice romboidnog presjeka polukružnog oblika, stanjenih, izvijenih krajeva, s koničnim završecima u obliku puceta.  
Nalazište: nepoznato.  
Datacija: 1. - 2. st.  
Literatura: Schütz 2003, str. 183, T. 7; str. 224, T. 48; Göricke-Lukić 2000, str. 61, sl. 19; Gáspár 1986, T. CCl. 760; Hayes 1984, str. 91, sl. 145.
58. Ručka, inv. br. H 3852  
Mjere: duž. 6,45 cm, vis. 2,95 cm, tež. 5,35 g.  
Opis: ručka malene situle ili škrinjice romboidnog presjeka, izvijenih krajeva, s oštećenim koničnim završecima.  
Nalazište: Salona., kupljeno god.1900.  
Datacija: 1. - 2. st.  
Literatura: Schütz 2003, str. 183, T. 7; str. 224, T. 48; Göricke-Lukić 2000, str. 61, sl. 19; Gáspár 1986, T. CCl. 827; Hayes 1984, str. 91, sl. 145.
59. Ručka, inv. br. AMS-70035  
Mjere: duž. 6,05 cm, vis. 3,6 cm, tež. 5,22 g.  
Opis: ručka malene situle ili škrinjice romboidna presjeka polukružnog oblika, stanjenih, izvijenih krajeva sa završecima u obliku masline.  
Nalazište: nepoznato.  
Datacija: Rimsko Carstvo.  
Literatura: Gambacurta, Fogolari 2001, str. 256, sl. 409; Hayes 1984, str. 169, sl. 268.
60. Ručka, inv. br. AMS-70036  
Mjere: duž. 5,15 cm, vis. 3,3 cm, tež. 2,15 g.  
Opis: ručka malene situle ili škrinjice romboidna presjeka polukružnog oblika, stanjenih, izvijenih krajeva sa završecima u obliku masline.  
Nalazište: nepoznato.  
Datacija: Rimsko Carstvo.  
Literatura: Gambacurta, Fogolari 2001, str. 256, sl. 409; Hayes 1984, str. 169, sl. 268.
61. Ručka, inv. br. AMS-70073  
Mjere: duž. 5,2 cm, vis. 5,1 cm, tež. 6,65 g.  
Opis: ručka posude ili škrinjice romboidnog presjeka polukružnog oblika, stanjenih, izvijenih krajeva sa završecima u obliku slova *U*.  
Nalazište: Salona., kupljeno god.1873.  
Datacija: Rimsko Carstvo.  
Literatura: Gambacurta, Fogolari 2001, str. 248; Hayes 1984, str. 169, sl. 268.

## Vessel handle

57. Handle, inv. no. 70034  
Dimensions: l. 5.9 cm, h. 3.7 cm, wt. 9.03 g.  
Description: handle of small situla or chest with rhomboid cross-section of semi-circular shape, thinned, mostly curved ends, with conical button-shaped tips.  
Find-site: unknown.  
Dating: 1<sup>st</sup>-2<sup>nd</sup> cent.  
References: Schütz 2003, p. 183, P. 7; p. 224, P. 48; Göricke-Lukić 2000, p. 61, Fig. 19; Gáspár 1986, P. CCl. 760; Hayes 1984, p. 91, Fig. 145.
58. Handle, inv. no. H 3852  
Dimensions: l. 6.45 cm, h. 2.95 cm, wt. 5.35 g.  
Description: handle of small situla or chest with rhomboid cross-section, mostly curved ends, with damaged conical tips.  
Find-site: Salona, purchased in 1900.  
Dating: 1<sup>st</sup>-2<sup>nd</sup> cent.  
References: Schütz 2003, p. 183, P. 7; p. 224, P. 48; Göricke-Lukić 2000, p. 61, Fig. 19; Gáspár 1986, P. CCl. 827; Hayes 1984, p. 91, Fig. 145.
59. Handle, inv. no. AMS-70035  
Dimensions: l. 6.05 cm, h. 3.6 cm, wt. 5.22 g.  
Description: handle of small situla or chest with rhomboid cross-section of semi-circular shape, thinned, mostly curved ends, with olive-shaped tips.  
Find-site: unknown.  
Dating: Roman Empire.  
References: Gambacurta, Fogolari 2001, p. 256, Fig. 409; Hayes 1984, p. 169, Fig. 268.
60. Handle, inv. no. AMS-70036  
Dimensions: l. 5.15 cm, h. 3.3 cm, wt. 2.15 g.  
Description: handle of small situla or chest with rhomboid cross-section of semi-circular shape, thinned, mostly curved ends, with olive-shaped tips.  
Find-site: unknown.  
Dating: Roman Empire.  
References: Gambacurta, Fogolari 2001, p. 256, Fig. 409; Hayes 1984, p. 169, Fig. 268.
61. Handle, inv. no. AMS-70073  
Dimensions: l. 5.2 cm, h. 5.1 cm, wt. 6.65 g.  
Description: handle of small situla or chest with rhomboid cross-section of semi-circular shape, thinned, mostly curved ends, with U-shaped tips.  
Find-site: Salona, purchased in 1873.  
Dating: Roman Empire.  
References: Gambacurta, Fogolari 2001, p. 248; Hayes 1984, p. 169, Fig. 268.

62. Ručka, inv. br. AMS-70074  
Mjere: duž. 4,8 cm, šir. 3 cm, tež. 3,47 g.  
Opis: oštećena ručka posude ili škrinjice romboidnog presjeka, polukružnog oblika, stanjenih, izvijenih krajeva sa završecima u obliku slova *U*.  
Nalazište: Županjac, kupljeno 1899. god.  
Datacija: Rimsko Carstvo.  
Literatura: Gambacurta, Fogolari 2001, str. 248; Hayes 1984, str. 169, sl. 268.
62. Handle, inv. no. AMS-70074  
Dimensions: l. 4.8 cm, wid. 3 cm, wt. 3.47 g.  
Description: handle of small situla or chest with rhomboid cross-section of semi-circular shape, thinned, mostly curved ends, with U-shaped tips.  
Find-site: Županjac, purchased in 1899.  
Dating: Roman Empire.  
References: Gambacurta, Fogolari 2001, p. 248; Hayes 1984, p. 169, Fig. 268.
63. Ručka, inv. br. AMS-70037  
Mjere: duž. 5,3 cm, vis. 6,15 cm, tež. 8,21 g.  
Opis: oštećena ručka posude ili škrinjice romboidnog presjeka polukružnog oblika, stanjenih, izvijenih krajeva sa završecima u obliku slova *U*.  
Nalazište: nepoznato.  
Datacija: Rimsko Carstvo.  
Literatura: Gambacurta, Fogolari 2001, str. 248; Hayes 1984, str. 169, sl. 268.
63. Handle, inv. no. AMS-70037  
Dimensions: l. 5.3 cm, h. 6.15 cm, wt. 8.21 g.  
Description: handle of small situla or chest with rhomboid cross-section of semi-circular shape, thinned, mostly curved ends, with U-shaped tips.  
Find-site: unknown.  
Dating: Roman Empire.  
References: Gambacurta, Fogolari 2001, p. 248; Hayes 1984, p. 169, Fig. 268.
64. Ručka, inv. br. AMS-70038  
Mjere: duž. 5,8 cm, vis. 4,3 cm, tež. 6,33 g.  
Opis: ručka posude ili škrinjice romboidnog presjeka polukružnog oblika, stanjenih, izvijenih krajeva, sa završecima u obliku slova *U*.  
Nalazište: nepoznato.  
Datacija: Rimsko Carstvo.  
Literatura: Gambacurta, Fogolari 2001, str. 248; Hayes 1984, str. 169, sl. 268.
64. Handle, inv. no. AMS-70038  
Dimensions: l. 5.8 cm, h. 4.3 cm, wt. 6.33 g.  
Description: handle of small situla or chest with rhomboid cross-section of semi-circular shape, thinned, mostly curved ends, with U-shaped tips.  
Find-site: unknown.  
Dating: Roman Empire.  
References: Gambacurta, Fogolari 2001, p. 248; Hayes 1984, p. 169, Fig. 268.
65. Ručka, inv. br. AMS-70039  
Mjere: duž. 4,5 cm, vis. 3,05 cm, tež. 1,43 g.  
Opis: ručka tintarnice ili malene kozmetičke posude kružnog presjeka, polukružnog oblika, s oštećenim, izvijenim krajevima.  
Nalazište: nepoznato.  
Datacija: rano rimsko razdoblje.  
Literatura: Hayes 1984, str. 170, sl. 273.
65. Handle, inv. no. AMS-70039  
Dimensions: l. 4.5 cm, h. 3.05 cm, wt. 1.43 g.  
Description: handle to inkpot or small cosmetics cup with circular cross-section of semi-circular shape and damaged, mostly curved ends.  
Find-site: unknown.  
Dating: Early Roman period.  
References: Hayes 1984, p. 170, Fig. 273.
66. Ručka, inv. br. H 2688  
Mjere: duž. 4,2 cm, vis. 2 cm, tež. 5,30 g.  
Opis: ručka romboidnog presjeka, polukružnog oblika, izvijenih krajeva, sa završecima u obliku slova *U*.  
Nalazište: Salona., kupljeno god.1890.  
Datacija: 2. st.  
Literatura: Ivčević 2003, str. 166, sl. 60; Hayes 1984, str. 91, sl. 143.
66. Handle, inv. no. H 2688  
Dimensions: l. 4.2 cm, h. 2 cm, wt. 5.30 g.  
Description: handle with rhomboid cross-section, semi-circular shape, mostly curved ends with U-shaped tips.  
Find-site: Salona, purchased in 1890.  
Dating: 2<sup>nd</sup> cent.  
References: Ivčević 2003, p. 166, Fig. 60; Hayes 1984, p. 91, Fig. 143.
67. Ručka, inv. br. AMS-70040  
Mjere: duž. 3,95 cm, vis. 2,4 cm, tež. 1,87 g.  
Opis: ručka malene posude ili škrinje romboidnog presjeka, polukružnog oblika, izvijenih krajeva, sa završecima u obliku slova *U*.  
Nalazište: nepoznato.  
Datacija: Rimsko Carstvo.  
Literatura: Hayes 1984, str. 169, sl. 268.
67. Handle, inv. no. AMS-70040  
Dimensions: l. 3.95 cm, h. 2.4 cm, wt. 1.87 g.  
Description: handle with rhomboid cross-section, semi-circular shape, mostly curved ends with U-shaped tips.  
Find-site: unknown.  
Dating: Roman Empire.  
References: Hayes 1984, p. 169, Fig. 268.

## 68. Ručka, inv. br. AMS-70041

Mjere: duž. 10 cm, vis. 5,15 cm, tež. 16,12 g.

Opis: oštećena ručka poklopca, romboidnog presjeka, polukružnog oblika, izvijenih krajeva, sa završecima u obliku slova U.

Nalazište: nepoznato.

Datacija: 1. - 2. st.

Literatura: Hayes 1984, str. 95, sl. 149.

## 68. Handle, inv. no. AMS-70041

Dimensions: l. 10 cm, h. 5.15 cm, wt. 16.12 g.

Description: damaged lid handle, rhomboid cross-section, semi-circular shape, mostly curved ends with U-shaped tips.

Find-site: unknown.

Dating: 1<sup>st</sup>-2<sup>nd</sup> cent.

References: Hayes 1984, p. 95, Fig. 149.

## 69. Ručka, inv. br. H 294

Mjere: duž. 10,65 cm, vis. 7,9 cm, tež. 26,82 g.

Opis: oštećena ručka vrča ili poklopca romboidnog presjeka, polukružnog oblika, izvijenih krajeva, sa završecima u obliku slova U.

Nalazište: Salona., 1873. god.

Datacija: Rimsko Carstvo.

Literatura: Hayes 1984, str. 95, sl. 149; Radnóti 1938, T. XXXIV. 5.

## 69. Handle, inv. no. H 294

Dimensions: l. 10.65 cm, h. 7.9 cm, wt. 26.82 g.

Description: damaged jug or lid handle with rhomboid cross-section, semi-circular shape, mostly curved ends with U-shaped tips.

Find-site: Salona, 1873.

Dating: Roman Empire.

References: Hayes 1984, p. 95, Fig. 149; Radnóti 1938, P. XXXIV. 5.

## 70. Ručka, inv. br. AMS-70042

Mjere: duž. 8,95 cm, vis. 4 cm, tež. 17,87 g.

Opis: ručka situle ili poklopca romboidnog presjeka, polukružnog oblika, izvijenih krajeva, s oštećenim završecima u obliku slova U.

Nalazište: nepoznato.

Datacija: 1. - 2. st.

Literatura: Hayes 1984, str. 91, sl. 143, str. 95, sl. 149; Radnóti 1938, T. XXXV. 8.

## 70. Handle, inv. no. AMS-70042

Dimensions: l. 8.95 cm, h. 4 cm, wt. 17.87 g.

Description: situla or lid handle with rhomboid cross-section, semi-circular shape, mostly curved ends with damaged U-shaped tips.

Find-site: unknown.

Dating: 1<sup>st</sup>-2<sup>nd</sup> cent.

References: Hayes 1984, p. 91, Fig. 143, p. 95, Fig. 149; Radnóti 1938, P. XXXV. 8.

## 71. Ručka, inv. br. AMS-70043

Mjere: duž. 7,6 cm, vis. 4,4 cm, tež. 16,42 g.

Opis: ručka posude ili škrinjice romboidnog presjeka polukružnog oblika, stanjenih, izvijenih krajeva, sa završecima u obliku stilizirane ptičje glave.

Nalazište: nepoznato.

Datacija: 1. - 2. st.

Literatura: Gambacurta, Fogolari 2001, str. 247, sl. 256, 408.

## 71. Handle, inv. no. AMS-70043

Dimensions: l. 7.6 cm, h. 4.4 cm, wt. 16.42 g.

Description: handle of vessel or small chest with rhomboid cross-section of semi-circular shape, thinned, mostly curved ends, with tips shaped like stylized bird heads.

Find-site: unknown.

Dating: 1<sup>st</sup>-2<sup>nd</sup> cent.

References: Gambacurta, Fogolari 2001, p. 247, Fig. 256, 408.



**Literatura / Bibliography**

- Bolla 1989  
M. Bolla, "Blechkannen": *aggionamenti*, Rassegna di studi del Civico Museo Archeologico e del Civico Gabinetto Numismatico di Milano XLIII - XLIV, Milano 1989, 95-118.
- Bolla 1994  
M. Bolla, *Vasellame romano in bronzo nelle civiche raccolte archeologiche di Milano*, Rassegna di studi del Civico Museo Archeologico e del Civico Gabinetto Numismatico di Milano XI, Milano 1994, 1-123.
- Boube-Piccot 1987-1988  
C. Boube-Piccot, *Anses de cruches de bronze bitronconiques ("type ornavasso") découvertes au Maroc*, Bulletin d'archéologie Marocaine XVII, Rabat 1987-1988, 231-262.
- Božić 2005  
D. Božić, *Die Spätorömischen Hortfunde von der Gora oberhalb von Pohlov Gradec*, Arheološki vestnik 56, Ljubljana 2005, 368-388.
- Breščak 1982  
D. Breščak, *Antično bronasto posodje Slovenije*, Ljubljana 1982.
- Cassani 1999  
G. Cassani, *I recipienti in bronzo del periodo tardoantico in Aquileia. Un nuovo contributo*, Quaderni friuliani di archeologia IX, Udine 1999, 7-10.
- Castoldi 1989  
M. Castoldi, *Recipienti di bronzo tardo romani da Milano*, Rassegna di studi del Civico Museo Archeologico e del Civico Gabinetto Numismatico di Milano XLIII-XLIV, Milano 1989, 61-90.
- Castoldi, Feugère 1991  
M. Castoldi, M. Feugère, *Les simpulums, u: La vaisselle tardo - republicaine en bronze. Actes de la table-ronde C.N.R.S., Lates, avril 1990*, Michel Feugère, Claude Rolley (ur.), Dijon 1991, 61-88.
- Ciurletti 1998  
G. Ciurletti, *Il vasellame domestico in rame e leghe di rame in età romana nel Trentino, u: Rame d'arte. Dalla preistoria al XX secolo nelle Alpi centro - orientali*, Trento 1998, 45-54.
- Di Pasquale 1999  
G. Di Pasquale, *Strumenti per persare, u: Homo faber. Natura, scienza e tecnica nell'antica Pompei*, Annamaria Ciarallo, Ernesto De Caroli (ur.), Napoli 1999, 283-285.
- Deimel 1987  
M. Deimel, *Die Bronzekleinfunde vom Magdalensberg*, Klagenfurt 1987.
- Eggers 1951  
H. J. Eggers, *Der römische Import im freien Germanien*, Hamburg 1951.
- Feugère 1991a  
M. Feugère, *Autres formes, u: La vaisselle tardo - republicaine en bronze. Actes de la table-ronde C.N.R.S., Lates, avril 1990*, Michel Feugère, Claude Rolley (ur.), Dijon 1991, 121-130.
- Feugère 1991b  
M. Feugère, *Les gobelets, u: La vaisselle tardo - republicaine en bronze. Actes de la table-ronde C.N.R.S., Lates, avril 1990*, Michel Feugère, Claude Rolley (ur.), Dijon 1991, 53-59.
- Fogolari, Gambacurta 2001  
G. Fogolari, G. Gambacurta, *Materiali Veneti preromani e romani del santuario di lagole di Calalzo al Museo di Pieve di Cadore*, Roma 2001.
- Gambacurta, Brustia 2001  
G. Gambacurta, M. Brustia, *Vasellame metallico ed oggetti vari, u: G. Fogolari, G. Gambacurta, Materiali Veneti preromani e romani del santuario di lagole di Calalzo al Museo di Pieve di Cadore*, Roma 2001, 247-274.
- Gáspár 1986  
D. Gáspár, *Römische Kästchen aus Pannonien I-II*, Antaeus Mitteilungen des Archäologischen Instituts der Ungarischen Akademie der Wissenschaften 15, Budapest 1986, 1-379.
- Gorecki 1999  
J. Gorecki, «*Metallurgia*»: *dal giacimento al prodotto finale, u: Homo faber. Natura, scienza e tecnica nell'antica Pompei*, Annamaria Ciarallo, Ernesto De Caroli (ur.), Milano 1999, 104-107.
- Göricke-Lukić 2006  
H. Göricke-Lukić, *Sjeveroistočna nekropola rimske Murse*, Zagreb-Osijek 2006.
- Hayes 1984  
J. W. Hayes, *Greek, Roman and Related Metalware in the Royal Ontario Museum*, Toronto 1984.
- Hoffler 1903-1904  
V. Hoffler, *Antikne bronsane posude iz Hrvatske i Slavonije*, Vjesnik hrvatskog arheološkog društva VII, Zagreb 1903-1904, 98-123.
- Hoffler 1908  
V. Hoffler, *Antike Bronzegefäße aus Sissek*, Jahresbericht Österreichisches Archäologisches Institut, Beiblatt XI, Wien 1908, 117-134.
- Homo faber 1999  
*Homo faber. Natura, scienza e tecnica nell'antica Pompei*, Annamaria Ciarallo, Ernesto De Caroli (ur.), Napoli 1999.
- Kohlert-Németh 1990  
M. Kohlert-Németh, *Archäologische Reihe Römische Bronzen II aus Nida - Heddernheim Fundsachen aus dem Hausrat*, Frankfurt am Main 1990.
- Holliger, Holliger 1985  
C. Holliger, C. Holliger, *Bronzegefäße aus Vindonissa*, Gesellschaft pro Vindonissa. Jahresbericht 1984, Brugg 1985, 47-70.
- Ivčević 2003  
S. Ivčević, *Antički metalni predmeti iz Narone, u: Arheološka istraživanja u Naroni i dolini Neretve*, (Izdanja HAD-a, 22), Zagreb-Metković-Split 2003, 129-167.
- Koščević 1997  
R. Koščević, *Metalna produkcija antičke Siscije*, Prilozi Instituta za arheologiju u Zagrebu, 11-12 (1994-1995), Zagreb 1997, 41-62.
- Koščević 2000  
R. Koščević, *Arheološka zbirka Benko Horvat*, Zagreb 2000.
- Koščević 2008  
R. Koščević, *Metalni i koštani nalazi, u: Arheološka zbirka Franjevačkog samostana u Sinju*, Miroslava Topić (ur.), Sinj 2008, 229-281.

- Milošević 2009  
A. Milošević, *Pons Tiluri*, *Histria Antiqua* 17, Pula 2009, 169-182.
- Natuniewicz-Sekuła, Okulicz-Kozaryn 2008  
M. Natuniewicz-Sekuła, J. Okulicz-Kozaryn, *Two richly furnished graves with Roman imports from the cemetery at Weklice, site 7, Elbląg commune (Poland)*, *Germania* 86, Frankfurt am Main 2008, 227-307.
- Nuber 1973  
H. U. Nuber, *Kanne und Griffschale. Ihr Gebrauch im täglichen Leben und die Beigabe in Gräbern der römischen Kaiserzeit*, Bericht der Römisch - Germanischen Kommission 53 (1972), Berlin 1973, 1-232.
- Ondrouch 1957  
V. Ondrouch, *Bohaté Hroby z doby rímskej na Slovensku : novšie nálezy*, Bratislava 1957.
- Poulsen 1995  
E. Poulsen, *Remarks on Roman Bronze Sillets with Deep Grooves under the Base*, Acta of the 12<sup>th</sup> International Congress on Ancient Bronzes, Nijmegen 1995, 59-69.
- Radnóti 1938  
A. Radnóti, *Die römischen Bronzegefäße von Pannonien*, Budapest 1938.
- Raev 1977  
B. A. Raev, *Römische Bronzegefäße in Trakien und Mösien*, Bericht der Römisch - Germanischen Kommission 58, Berlin 1977, 605-643.
- Ratković 2005  
D. Ratković, *Bronsane posude: iz rimske zbirke Narodnog Muzeja u Beogradu*, Beograd 2005.
- Sedlmayer 1999  
H. Sedlmayer, *Eine Kleeblattkanne aus Wien*, Fundort Wien. Berichte zur Archäologie 2, Wien 1999, 16-17.
- Schütz 2003  
N. M. Schütz, *Eisenfunde aus der Stadt auf dem Magdalensberg II*, Klagenfurt 2003.
- Šeparović, Uroda 2009  
T. Šeparović, N. Uroda, *Antička zbirka Muzeja hrvatskih arheoloških spomenika (izbor)*, Split 2009.
- Šeparović 2003  
T. Šeparović, *Metalni nalazi, u: M. Sanader, Tilurium I. Istraživanja - Forschungen 1997-2002*, Zagreb 2003, 219-257.
- Tassinari 1995  
S. Tassinari, *Recherches sur la datation et l'origine de la vaisselle de Pompéi*, Acta of the 12<sup>th</sup> International Congress on Ancient Bronzes, Nijmegen 1995, 87-97.
- Willers 1907  
H. Willers, *Neue Untersuchungen über die römische Bronzeindustrie von Capua und von Niedergermanien*, Hannover-Leipzig 1907.